

(19) World Intellectual Property Organization
International Bureau



(43) International Publication Date
11 September 2009 (11.09.2009)

(10) International Publication Number
WO 2009/110872 A3

- (51) International Patent Classification:
H01L 21/82 (2006.01) *H01L 27/112* (2006.01)
- (21) International Application Number:
PCT/US2008/010512
- (22) International Filing Date:
9 September 2008 (09.09.2008)
- (25) Filing Language: English
- (26) Publication Language: English
- (30) Priority Data:
PCT/US2008/002944 6 March 2008 (06.03.2008) US
12/079,068 25 March 2008 (25.03.2008) US
- (71) Applicant and
(72) Inventor: **GOYAL, Amit** [US/US]; 1701 Waterview
Trail, Knoxville, TN 37922 (US).
- (81) Designated States (*unless otherwise indicated, for every
kind of national protection available*): AE, AG, AL, AM,
AO, AT, AU, AZ, BA, BB, BG, BH, BR, BW, BY, BZ,
CA, CH, CN, CO, CR, CU, CZ, DE, DK, DM, DO, DZ,
EC, EE, EG, ES, FI, GB, GD, GE, GH, GM, GT, HN,

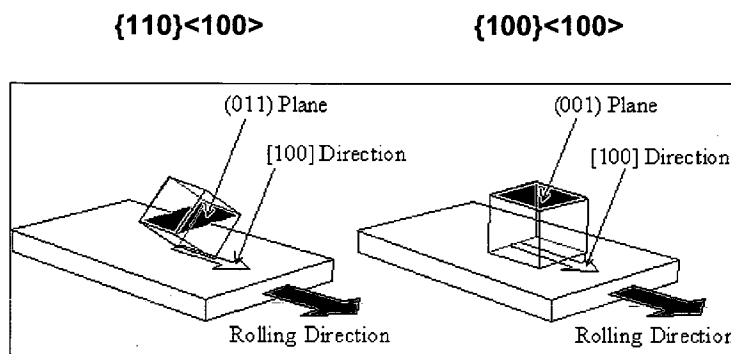
HR, HU, ID, IL, IN, IS, JP, KE, KG, KM, KN, KP, KR,
KZ, LA, LC, LK, LR, LS, LT, LU, LY, MA, MD, ME,
MG, MK, MN, MW, MX, MY, MZ, NA, NG, NI, NO,
NZ, OM, PG, PH, PL, PT, RO, RS, RU, SC, SD, SE, SG,
SK, SL, SM, ST, SV, SY, TJ, TM, TN, TR, TT, TZ, UA,
UG, US, UZ, VC, VN, ZA, ZM, ZW.

(84) Designated States (*unless otherwise indicated, for every
kind of regional protection available*): ARIPO (BW, GH,
GM, KE, LS, MW, MZ, NA, SD, SL, SZ, TZ, UG, ZM,
ZW), Eurasian (AM, AZ, BY, KG, KZ, MD, RU, TJ,
TM), European (AT, BE, BG, CH, CY, CZ, DE, DK, EE,
ES, FI, FR, GB, GR, HR, HU, IE, IS, IT, LT, LU, LV,
MC, MT, NL, NO, PL, PT, RO, SE, SI, SK, TR), OAPI
(BF, BJ, CF, CG, CI, CM, GA, GN, GQ, GW, ML, MR,
NE, SN, TD, TG).

Published:
— with international search report (Art. 21(3))
(88) Date of publication of the international search report:
30 December 2009

(54) Title: SEMICONDUCTOR-BASED, LARGE-AREA, FLEXIBLE, ELECTRONIC DEVICES ON {110}<100> ORIENTED SUBSTRATES

FIG. 1



(57) Abstract: Novel articles and methods to fabricate the same resulting in flexible, {110}<100> or 45°-rotated {110}<100> oriented, semiconductor-based, electronic devices are disclosed. Potential applications of resulting articles are in areas of photovoltaic devices, flat-panel displays, thermophotovoltaic devices, ferroelectric devices, light emitting diode devices, computer hard disc drive devices, magnetoresistance based devices, photoluminescence based devices, non-volatile memory devices, dielectric devices, thermoelectric devices and quantum dot laser devices.

WO 2009/110872 A3

INTERNATIONAL SEARCH REPORT

International application No.

PCT/US 08/10512

A. CLASSIFICATION OF SUBJECT MATTER

IPC(8) - H01L 21/82, 27/112 (2009.01)

USPC - 257/E27.112; 438/150

According to International Patent Classification (IPC) or to both national classification and IPC

B. FIELDS SEARCHED

Minimum documentation searched (classification system followed by classification symbols)

IPC(8) - H01L 21/82, 27/112 (2009.01)

USPC - 257/255; 257/E21.602

Documentation searched other than minimum documentation to the extent that such documents are included in the fields searched

USPC - 257/255; 257/E21.602; 257/E27.112; 438/150

Electronic data base consulted during the international search (name of data base and, where practicable, search terms used)

US Patent db, PGPub, Google Scholar

C. DOCUMENTS CONSIDERED TO BE RELEVANT

Category*	Citation of document, with indication, where appropriate, of the relevant passages	Relevant to claim No.
Y	US 2003/0015728 A1 (Bosco et al.) 23 January 2003 (23.01.2003), para [0024], [0026],[0027], [0029], [0039], [0041], [0042], [0043], [0044], [0045], [0051], [0053], [0055], [0057], [0060], [0068], [0083], [0084], [0086], [0090], [0093], [0094], [0095], [0101], [0104], [0106],[0110], [0116], [0117], [0123], [0128], [0139], [0141], [0142], [0143]	1-40
Y	US 6,512,171 B2 (Inamasu et al) 28 Jan 2003 (28.01.2003), entire document especially col 2, ln 30-35 and col 3, ln 30-35	1-40
Y	US 7,087,113 B2 (Goyal et al.) 08 August 2006 (08.08.2006), col 2, ln 30-45, col 8, ln 55, col. 10, lines 21-33	17, 22-25, 27, and 28
Y	US 7,078,731 B2 (D'Evelyn et al.) 18 July 2006 (18.07.2006), col 16, ln 15, col. 3, line 59 through col. 4, line 8	2, 4, 5, and 29
Y	US 2005/0159298 A1 (Rupich et al.) 21 July 2005 (21.07.2005), para [0016], [0027]	39, 40
A	US 2007/0085138 A1 (Yamazaki et al.) 19 April 2007 (19.04.2007), entire document	1-40
A	US 2006/0134840 A1 (Ohtani et al.) 22 June 2006 (22.06.2006), entire document	1-40
A	US 2005/0133087 A1 (Alivisatos et al.) 23 June 2005 (23.06.2005), entire document	1-40

 Further documents are listed in the continuation of Box C.

* Special categories of cited documents:

"A" document defining the general state of the art which is not considered to be of particular relevance

"E" earlier application or patent but published on or after the international filing date

"L" document which may throw doubts on priority claim(s) or which is cited to establish the publication date of another citation or other special reason (as specified)

"O" document referring to an oral disclosure, use, exhibition or other means

"P" document published prior to the international filing date but later than the priority date claimed

"T" later document published after the international filing date or priority date and not in conflict with the application but cited to understand the principle or theory underlying the invention

"X" document of particular relevance; the claimed invention cannot be considered novel or cannot be considered to involve an inventive step when the document is taken alone

"Y" document of particular relevance; the claimed invention cannot be considered to involve an inventive step when the document is combined with one or more other such documents, such combination being obvious to a person skilled in the art

"&" document member of the same patent family

Date of the actual completion of the international search

12 June 2009 (12.06.2009)

Date of mailing of the international search report

02 JUL 2009

Name and mailing address of the ISA/US

Mail Stop PCT, Attn: ISA/US, Commissioner for Patents
P.O. Box 1450, Alexandria, Virginia 22313-1450

Facsimile No. 571-273-3201

Authorized officer:

Lee W. Young

PCT Helpdesk: 571-272-4300
PCT OSP: 571-272-7774

INTERNATIONAL SEARCH REPORT

International application No.

PCT/US 08/10512

C (Continuation). DOCUMENTS CONSIDERED TO BE RELEVANT		
Category*	Citation of document, with indication, where appropriate, of the relevant passages	Relevant to claim No.
A	US 2003/0024471 A1 (Talin et al.) 06 February 2003 (06.02.2003), entire document	1-40
A	US 2003/0056719 A1 (Kouvetakis et al.) 27 March 2003 (27.03.2003), para [0066]	1-40
A	US 6,756,614 B2 (Hatano et al.) 29 June 2004 (29.06.2004)	1-40
A	US 6,521,492 B2 (Miyasaka et al.) 18 February 2003 (18.02.2003)	1-40