



US00D776809S

(12) **United States Design Patent** (10) **Patent No.:** **US D776,809 S**
Vallee et al. (45) **Date of Patent:** **** Jan. 17, 2017**

(54) **MEDICAL DEVICE**
(71) Applicant: **Welch Allyn, Inc.**, Skaneateles Falls, NY (US)
(72) Inventors: **Adam Vallee**, Skaneateles Falls, NY (US); **Michael T. McMahon**, Skaneateles Falls, NY (US); **John Haberstock**, Skaneateles Falls, NY (US); **Todd Abernethy**, Skaneateles Falls, NY (US); **Stephen Montgomery**, Skaneateles Falls, NY (US)
(73) Assignee: **WELCH ALLYN, INC.**, Skaneateles Falls, NY (US)

D566,270 S * 4/2008 Strom D24/137
D566,838 S * 4/2008 Slawson D24/137
D594,555 S * 6/2009 Hsu D24/137
D619,708 S * 7/2010 Ellman D24/137
8,459,844 B2 * 6/2013 Lia A61B 1/0661
362/326
D709,191 S * 7/2014 Wood D24/137
2004/0039251 A1 * 2/2004 Roberts A61B 1/227
600/178

(**) Term: **14 Years**

(21) Appl. No.: **29/498,125**

(22) Filed: **Jul. 31, 2014**

(51) **LOC (10) Cl.** **24-02**

(52) **U.S. Cl.**
USPC **D24/137**

(58) **Field of Classification Search**
USPC D24/137, 138, 150, 172; 351/218, 221, 351/205, 206; 606/4
CPC A61B 1/227; A61B 3/1208; H02J 7/0045; H01M 2/1055; H01M 10/46; H01M 2/1005
See application file for complete search history.

(56) **References Cited**

U.S. PATENT DOCUMENTS

D207,372 S * 4/1967 Pulos 600/200
D377,393 S * 1/1997 Sams D24/137
D423,668 S * 4/2000 Coe D24/137
D429,333 S * 8/2000 Sanders D24/137
6,130,520 A * 10/2000 Wawro A61B 1/227
320/114

OTHER PUBLICATIONS

3.5 V Diagnostic Otosopes [online] [retrieved Jun. 10, 2014]. Retrieved from the Internet: <URL: <http://intl.welchallyn.com/apps/products/product.jsp?id=11-ac-100-000000001141>>. (2011) 1 page.

(Continued)

Primary Examiner — Wan Laymon
Assistant Examiner — Mark Booker

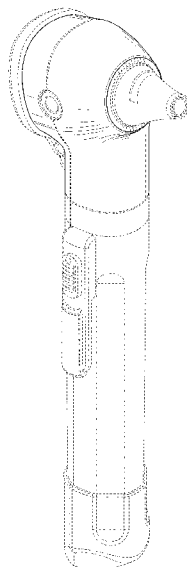
(57) **CLAIM**

The ornamental design for a medical device, as shown and described.

DESCRIPTION

FIG. 1 is a perspective view of a medical device showing our new design;
FIG. 2 is a front elevation view thereof;
FIG. 3 is a rear elevation view thereof;
FIG. 4 is a right side elevation view thereof;
FIG. 5 is a left side elevation view thereof;
FIG. 6 is a top plan view thereof; and,
FIG. 7 is a bottom plan view thereof.
Broken lines shown immediately adjacent shaded areas represent bounds of the claimed design and unclaimed features. All other broken lines are directed to unclaimed features. The broken lines form no part of the claimed design.

1 Claim, 6 Drawing Sheets



(56)

References Cited

OTHER PUBLICATIONS

PocketScope Otoscope with Throat Illuminator [online] [retrieved Jun. 10, 2014]. Retrieved from the Internet: <URL: <http://intel.welchallyn.com/apps/products/product.jsp?id=11-ac-100-000000001148>. (2011) 1 page.

Welch Allyn PocketScope Otoscope w/“AA” Handle and Soft Case, 1/Ea, 22821 [online] [retrieved Jun. 10, 2014]. Retrieved from the Internet: <URL: http://www.amazon.com/Welch-Allyn-PocketScope-Otoscope-22821/dp/B000ROJ8UW/ref=pd_sim_hpc_3?ie=UTF8&refRID=13090GMJV3SHNBVAQPKS>. (undated) 2 pages.

3.5 V Standard Ophthalmoscope [online] [retrieved Jun. 10, 2014]. Retrieved from the Internet: <URL: <http://intel.welchallyn.com/apps/products/product.jsp?id=11-ac-100-000000001137>>. (2011) 1 page.

PocketScope Ophthalmoscope [online] [retrieved Jun. 10, 2014]. Retrieved from the Internet: <URL: <http://intel.welchallyn.com/apps/products/product.jsp?id=11-ac-100-000000001139>>. (2011) 1 page.

Welch Allyn 2.5v PocketScope Ophthalmoscope with AA Handle (Model 12820) [online] [retrieved Jun. 10, 2014]. Retrieved from the Internet: <URL: [http://www.amazon.com/Welch-allyn-PocketScope-Ophthalmoscope-Handle/dp/B002MBRHR0Q/ref=pd_sim_sbs_hpc_1?ie=UTF8&refRID=0KV7EFBWEAQ08K...>. \(undated\) 2 pages.](http://www.amazon.com/Welch-allyn-PocketScope-Ophthalmoscope-Handle/dp/B002MBRHR0Q/ref=pd_sim_sbs_hpc_1?ie=UTF8&refRID=0KV7EFBWEAQ08K...)

Welch Allyn Otoscope/ophthalmoscope Diagnostic Set MOD 95001 [online] [retrieved Jun. 10, 2014]. Retrieved from the Internet: <URL: http://www.amazon.com/Welch-Allyn-ophthalmoscope-MOD-95001/dp/B000RXXUDS/ref=pd_sxp_grid_pt_0_1>. (undated) 2 pages.

* cited by examiner

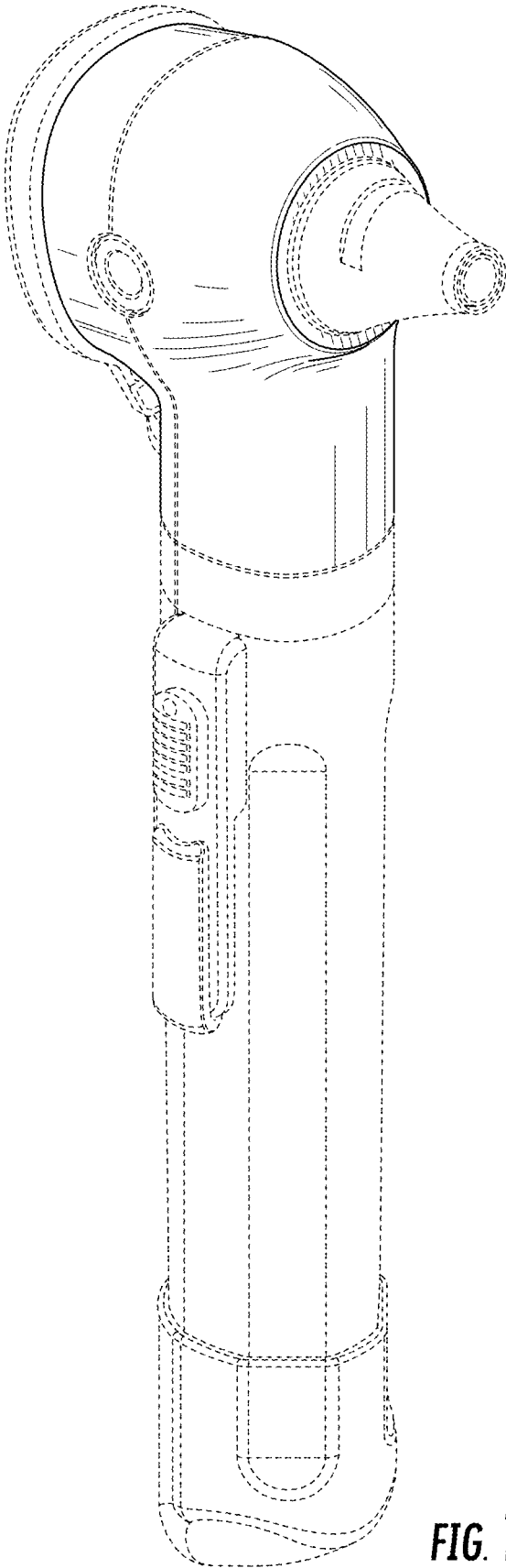


FIG. 1

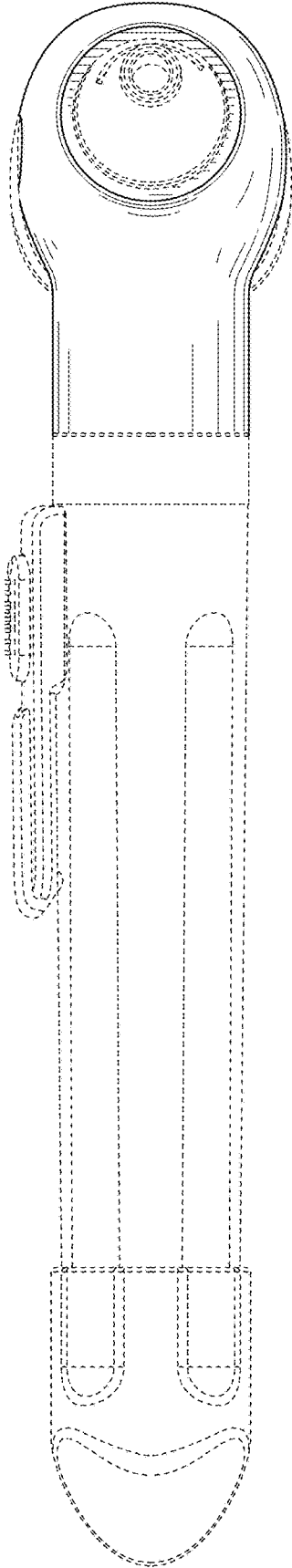


FIG. 2

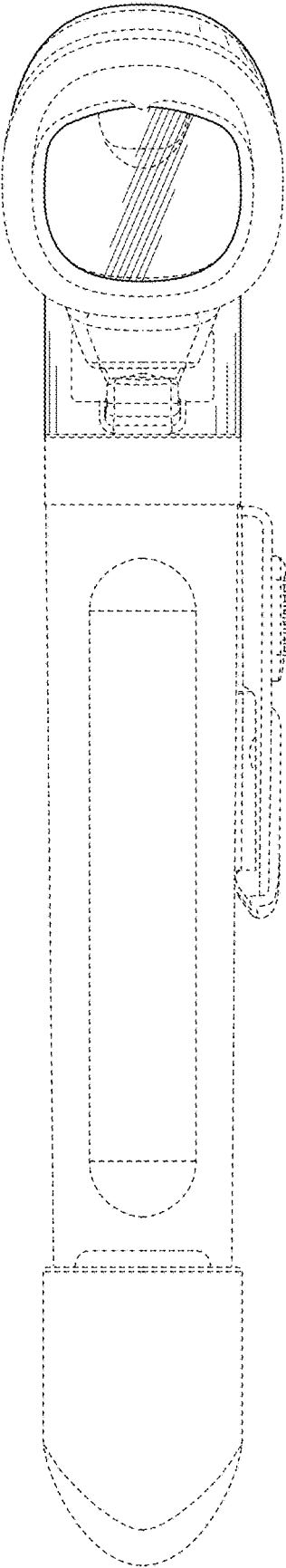


FIG. 3

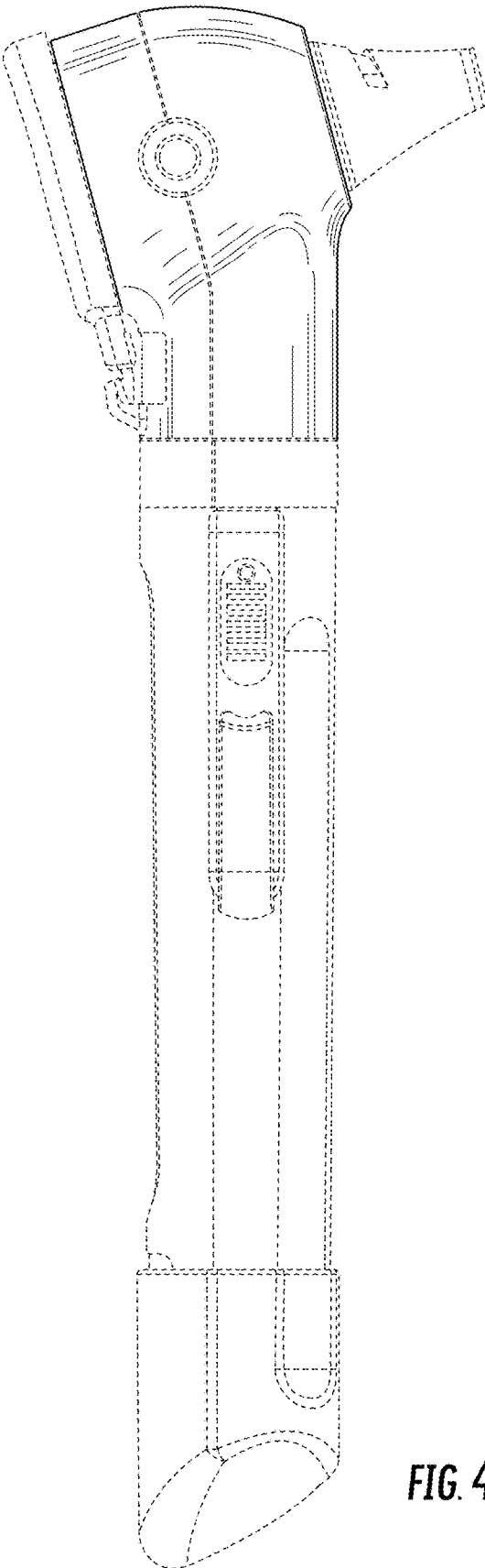


FIG. 4

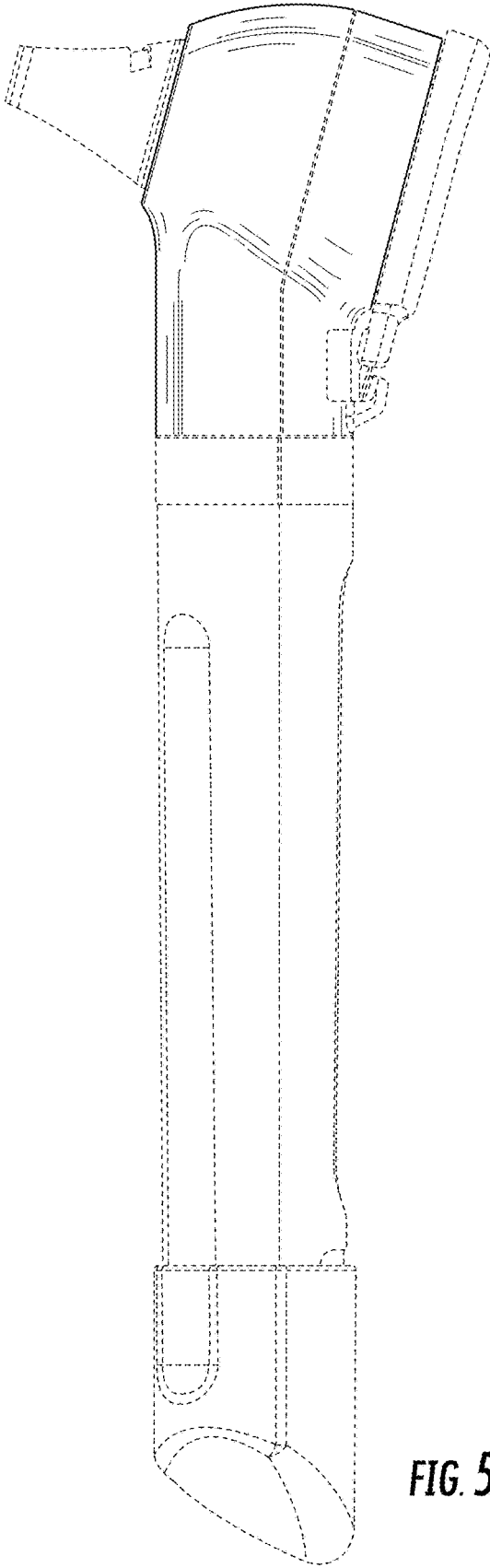


FIG. 5

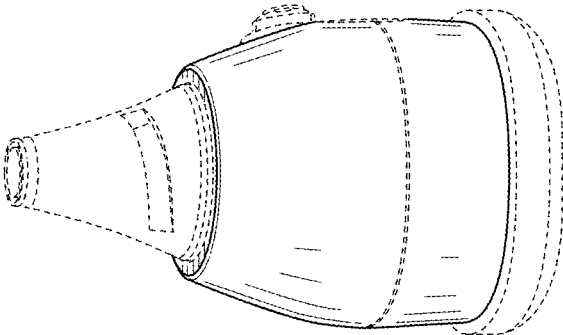


FIG. 6

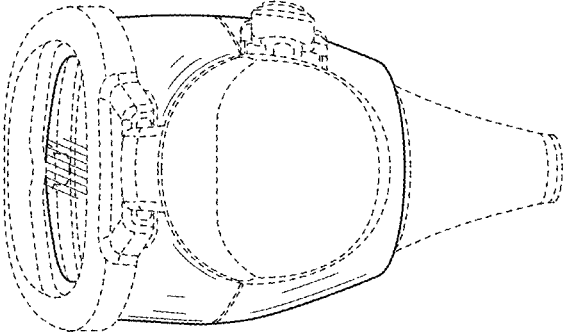


FIG. 7