



US00D728295S

(12) **United States Design Patent**
De'Longhi et al.

(10) **Patent No.:** **US D728,295 S**

(45) **Date of Patent:** **** May 5, 2015**

- (54) **ESPRESSO MACHINE**
- (71) Applicant: **De' Longhi Appliances S.R.L. Con Unico Socio**, Treviso (IT)
- (72) Inventors: **Giuseppe De'Longhi**, Treviso (IT); **Marco Vaona**, Mestre (IT)
- (73) Assignee: **De'Longhi Appliances S.R.L. Con Unico Socio**, Treviso (IT)
- (**) Term: **14 Years**
- (21) Appl. No.: **29/461,233**
- (22) Filed: **Jul. 19, 2013**
- (30) **Foreign Application Priority Data**

D584,096 S *	1/2009	Lutz	D7/307
D586,604 S *	2/2009	Buttler	D7/309
D587,511 S *	3/2009	Buttler	D7/309
D595,991 S *	7/2009	Zimmerman	D7/307
D610,389 S *	2/2010	Borin et al.	D7/309
D642,415 S *	8/2011	Novelli	D7/309
D645,289 S *	9/2011	Lenzi	D7/309
D645,695 S *	9/2011	Zoppellari	D7/309
D646,109 S *	10/2011	Zoppellari	D7/309
D647,356 S *	10/2011	De' Longhi	D7/309
D663,566 S *	7/2012	Feder	D7/309
D672,999 S *	12/2012	De' Longhi	D7/309
D675,054 S *	1/2013	Agostini et al.	D7/309
D701,071 S *	3/2014	Buttler	D7/306
2011/0126718 A1 *	6/2011	Meuer	99/323.1
2011/0222561 A1 *	9/2011	Alley et al.	370/503

* cited by examiner

Primary Examiner — Marianne Pandozzi
(74) *Attorney, Agent, or Firm* — Maier & Maier, PLLC

- Jan. 21, 2013 (EM) 2169755-0005
- (51) **LOC (10) Cl.** **07-01**
- (52) **U.S. Cl.**
USPC **D7/309; D7/311**
- (58) **Field of Classification Search**
CPC B67D 3/00
USPC D7/309-311, 306-308, 300, 397, 305;
99/293, 323.1, 279, 289 R, 291;
D6/544; 222/105, 185.1
See application file for complete search history.

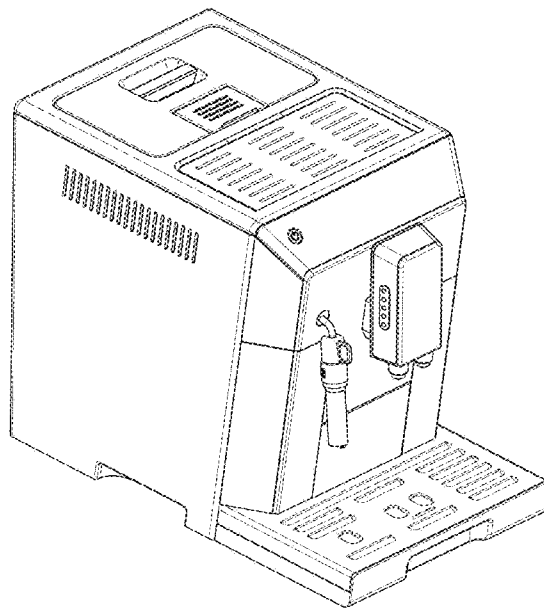
(57) **CLAIM**
The ornamental design for an espresso machine, as shown and described.

DESCRIPTION

FIG. 1 is a front isometric view of an espresso machine, showing our design;
FIG. 2 is a rear isometric view thereof;
FIG. 3 is a front view thereof;
FIG. 4 is a rear view thereof;
FIG. 5 is a right side view thereof;
FIG. 6 is a left side view thereof;
FIG. 7 is a top view thereof; and,
FIG. 8 is a bottom view thereof.

- (56) **References Cited**
U.S. PATENT DOCUMENTS
D486,345 S * 2/2004 Schwamkrug D7/309
D523,279 S * 6/2006 Zemp D7/309

1 Claim, 8 Drawing Sheets



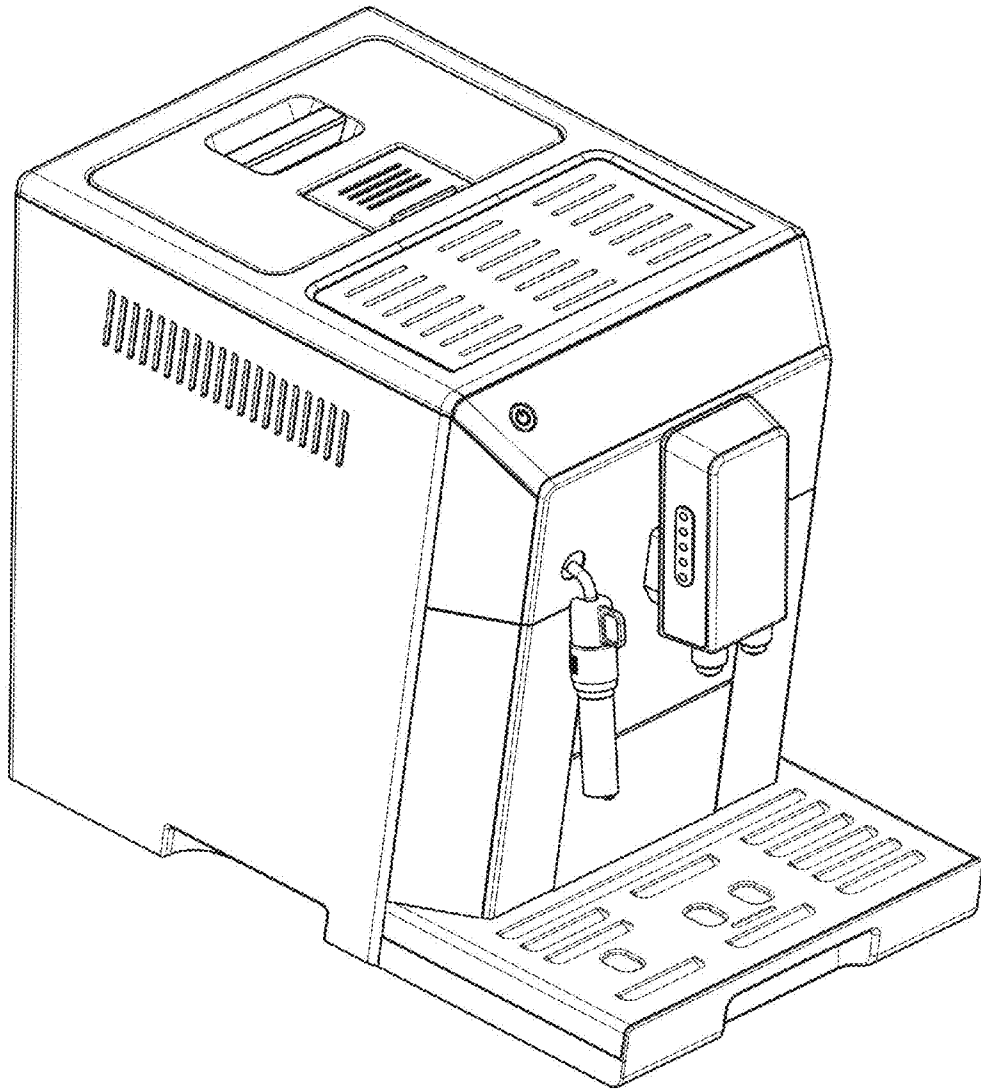


Fig. 1

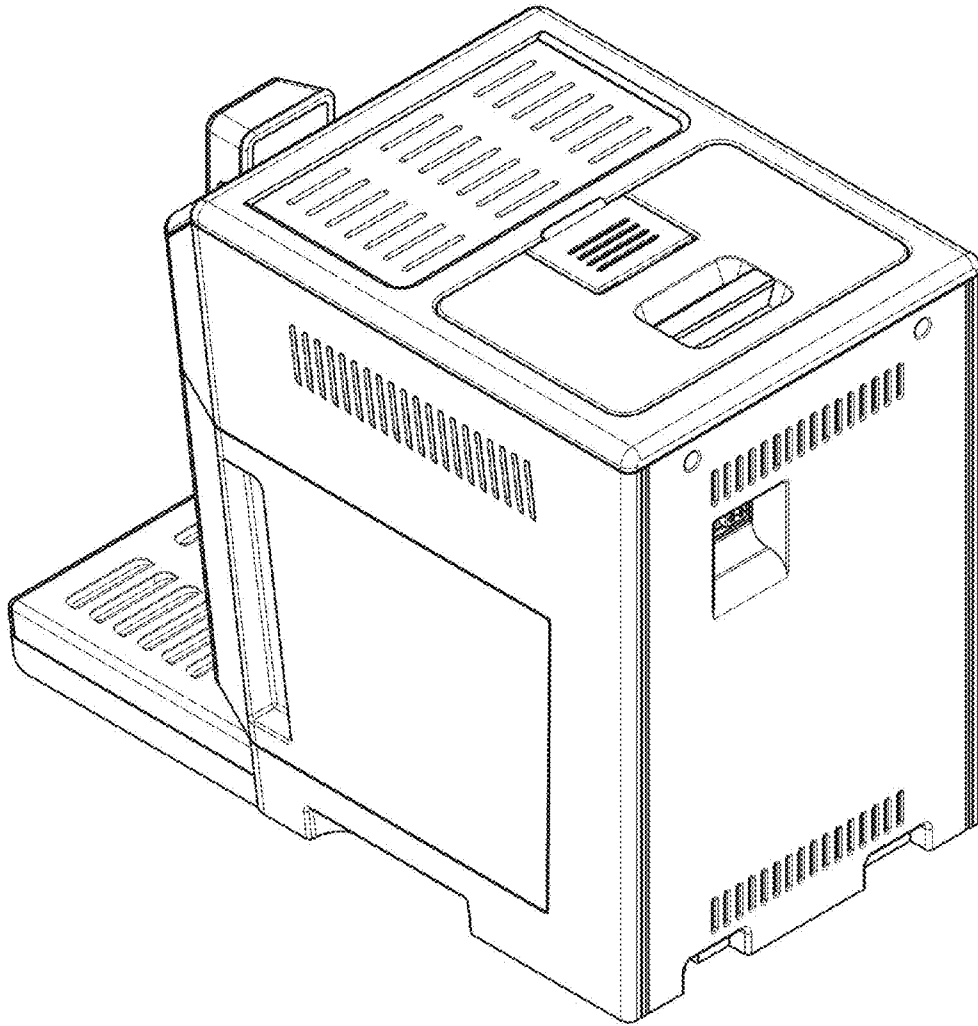


Fig. 2

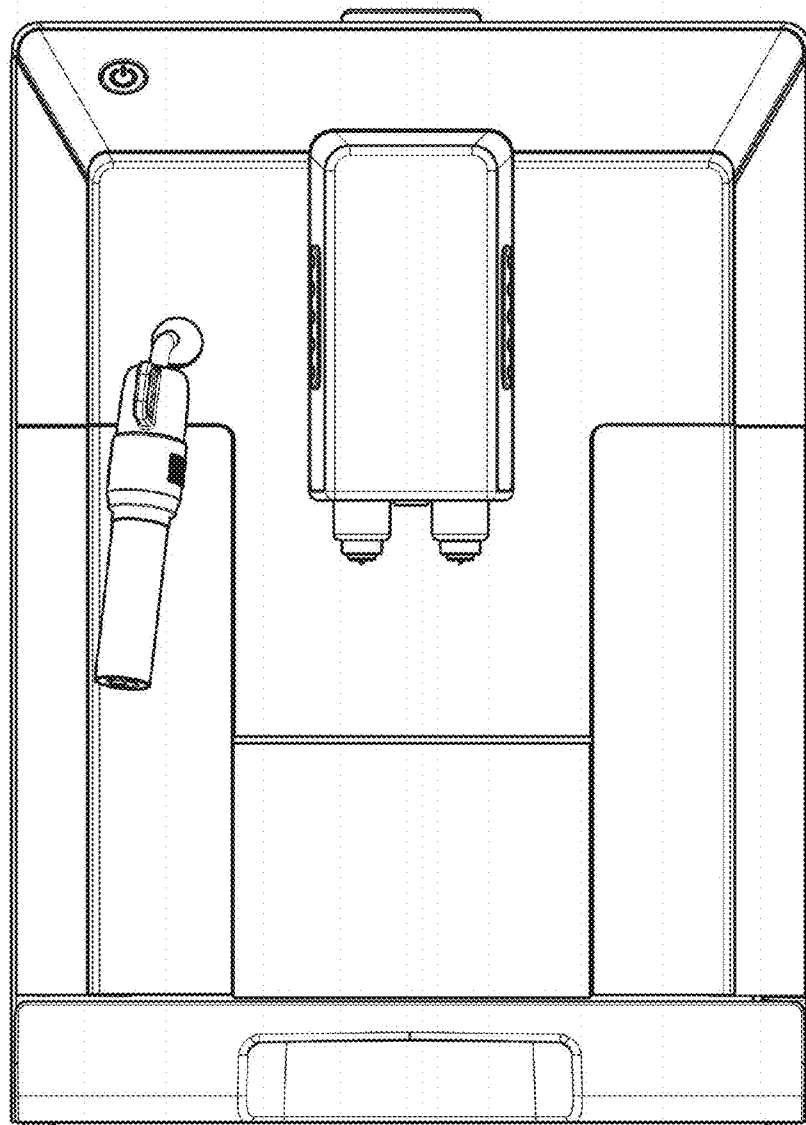


Fig. 3

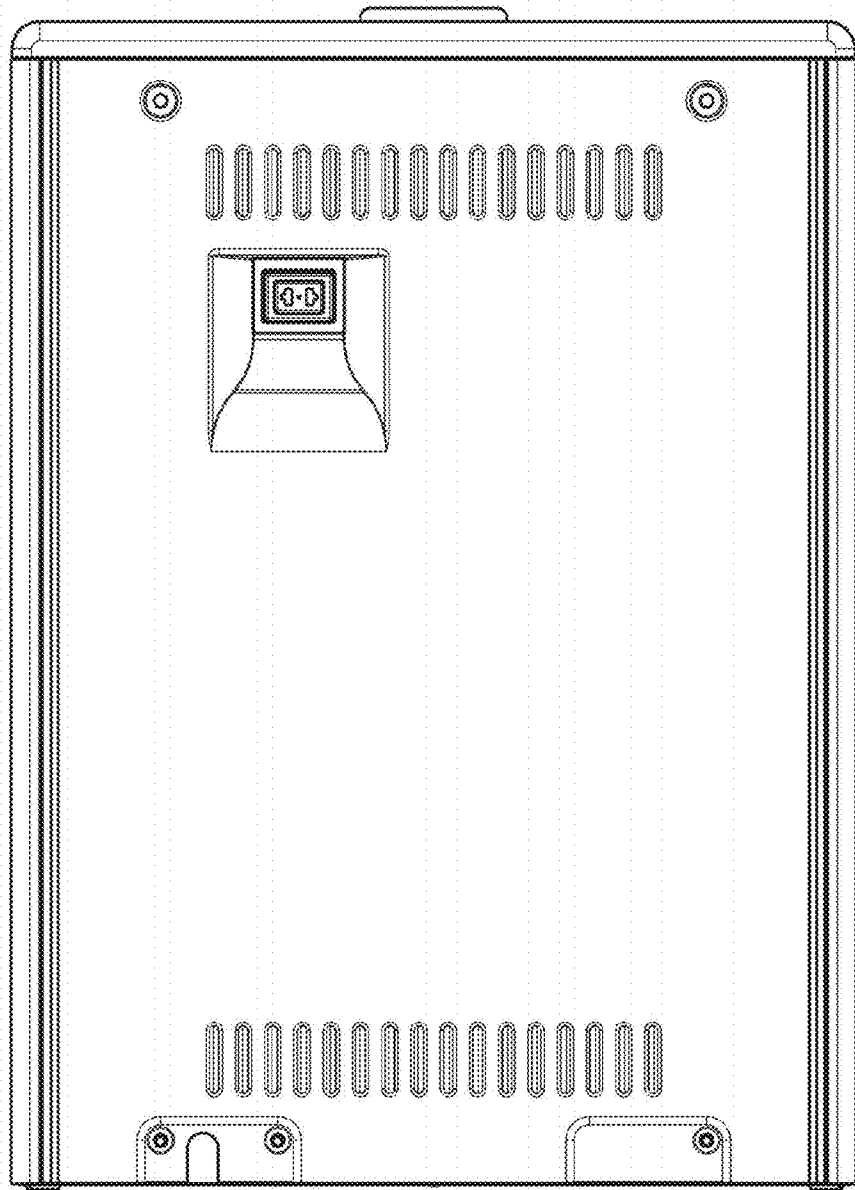


Fig. 4

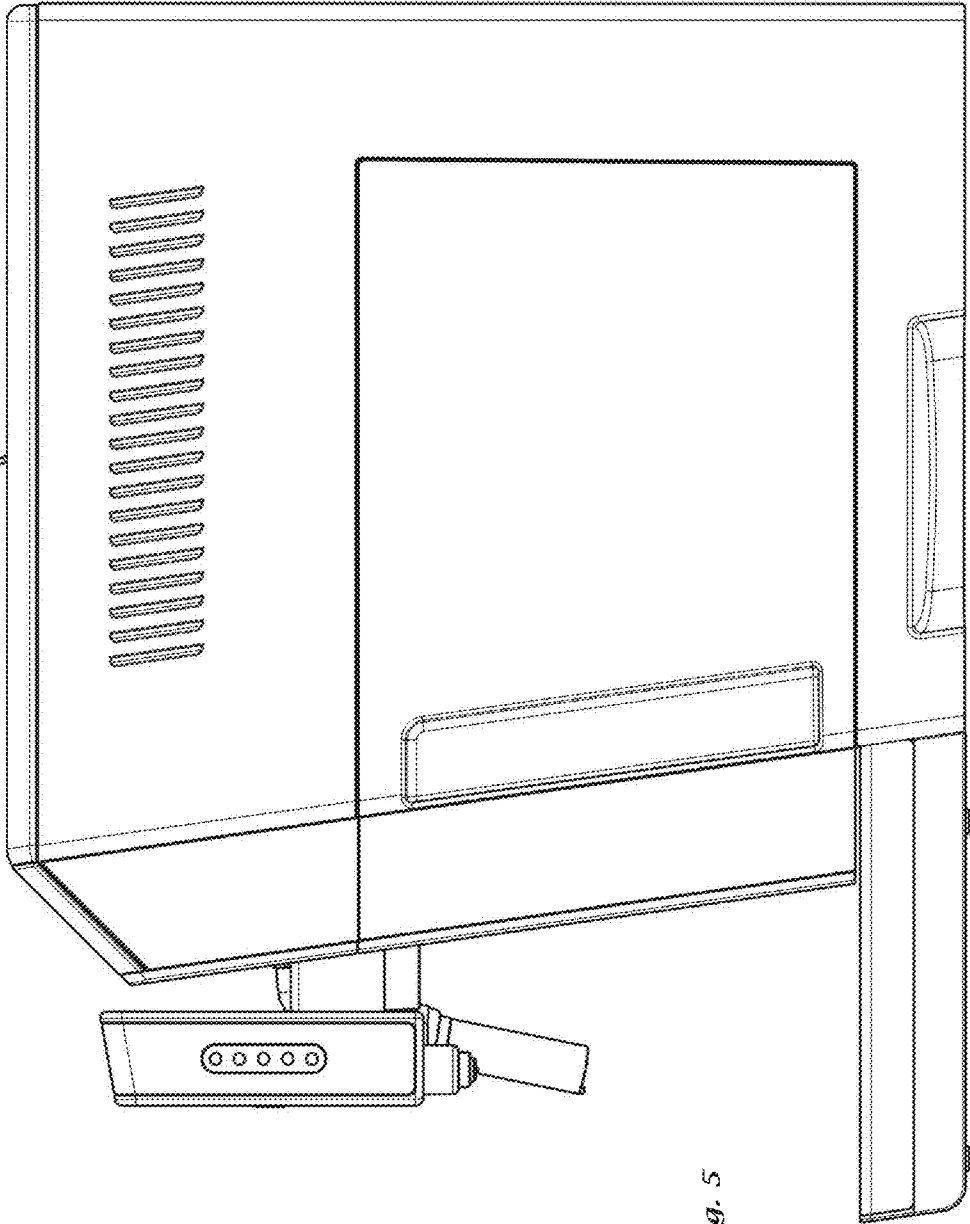


Fig. 5

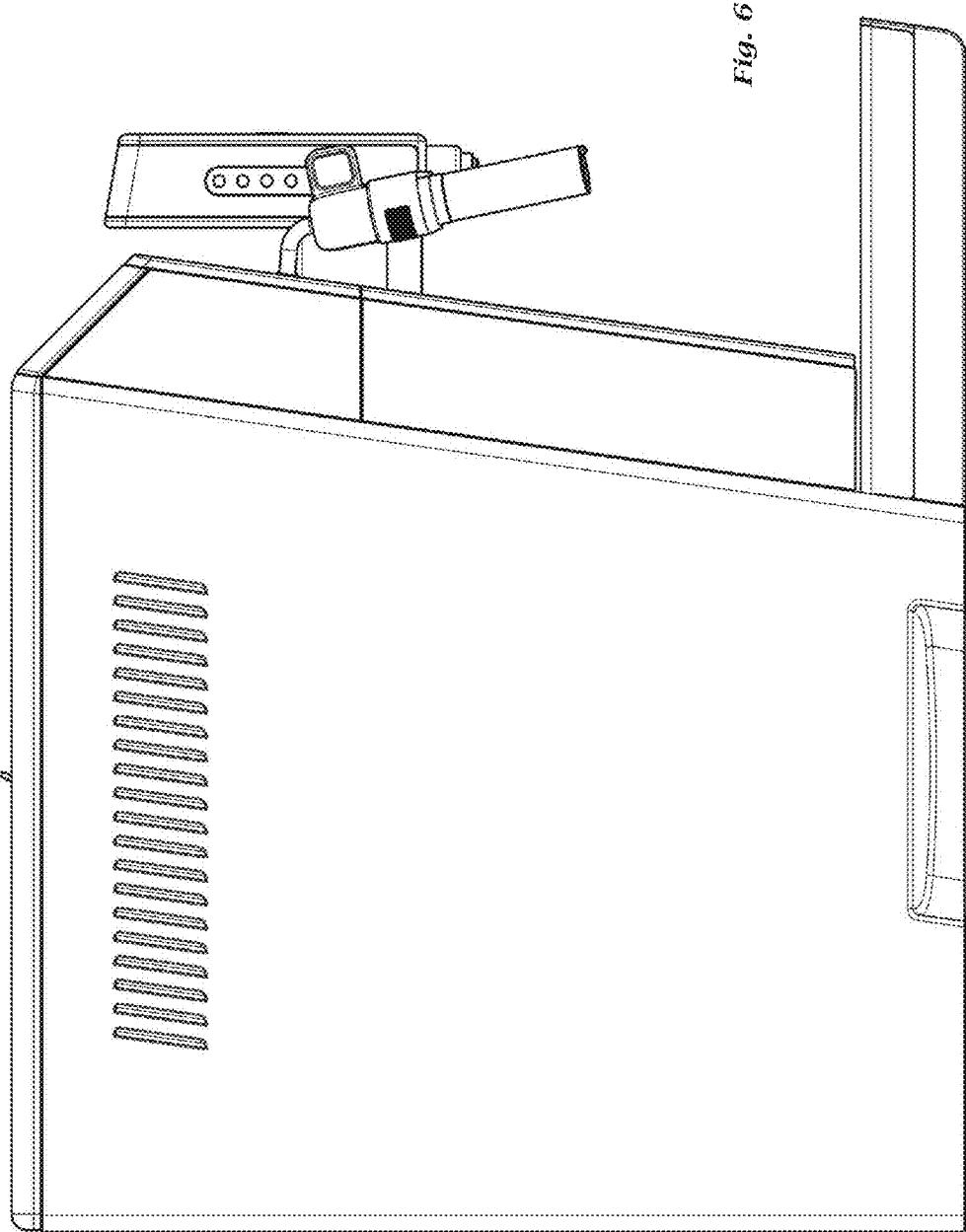


Fig. 6

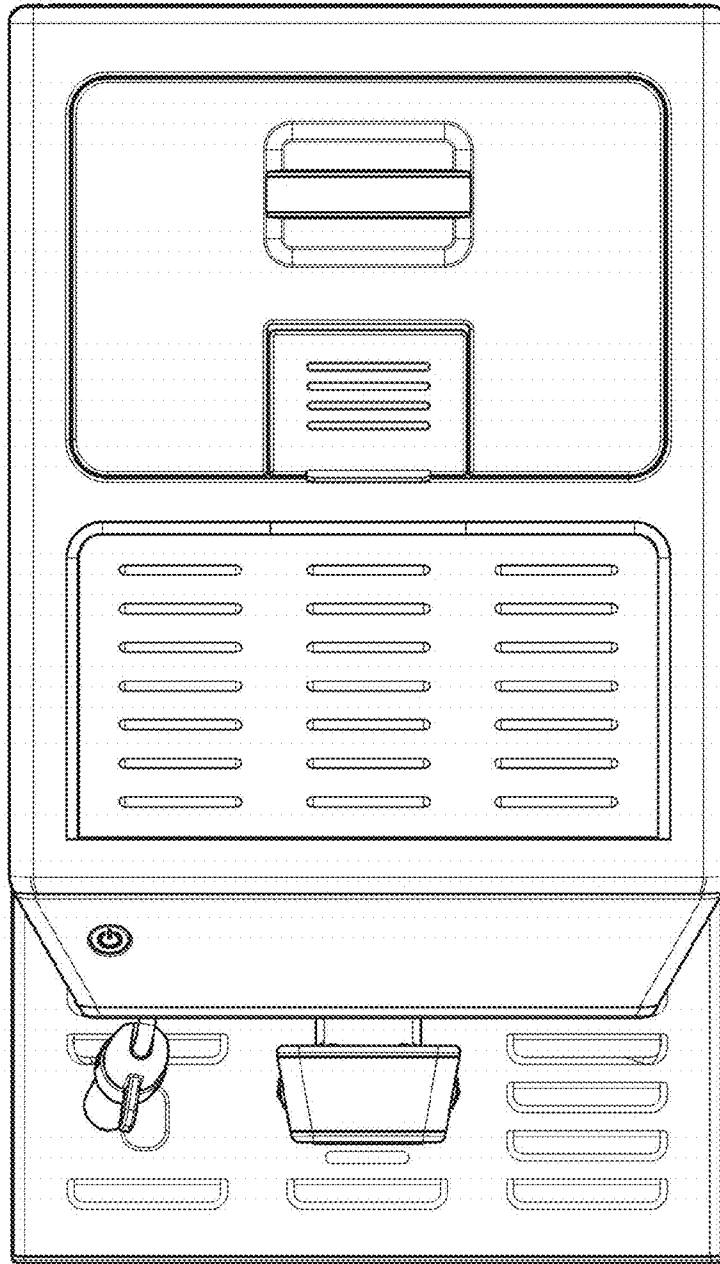


Fig. 7

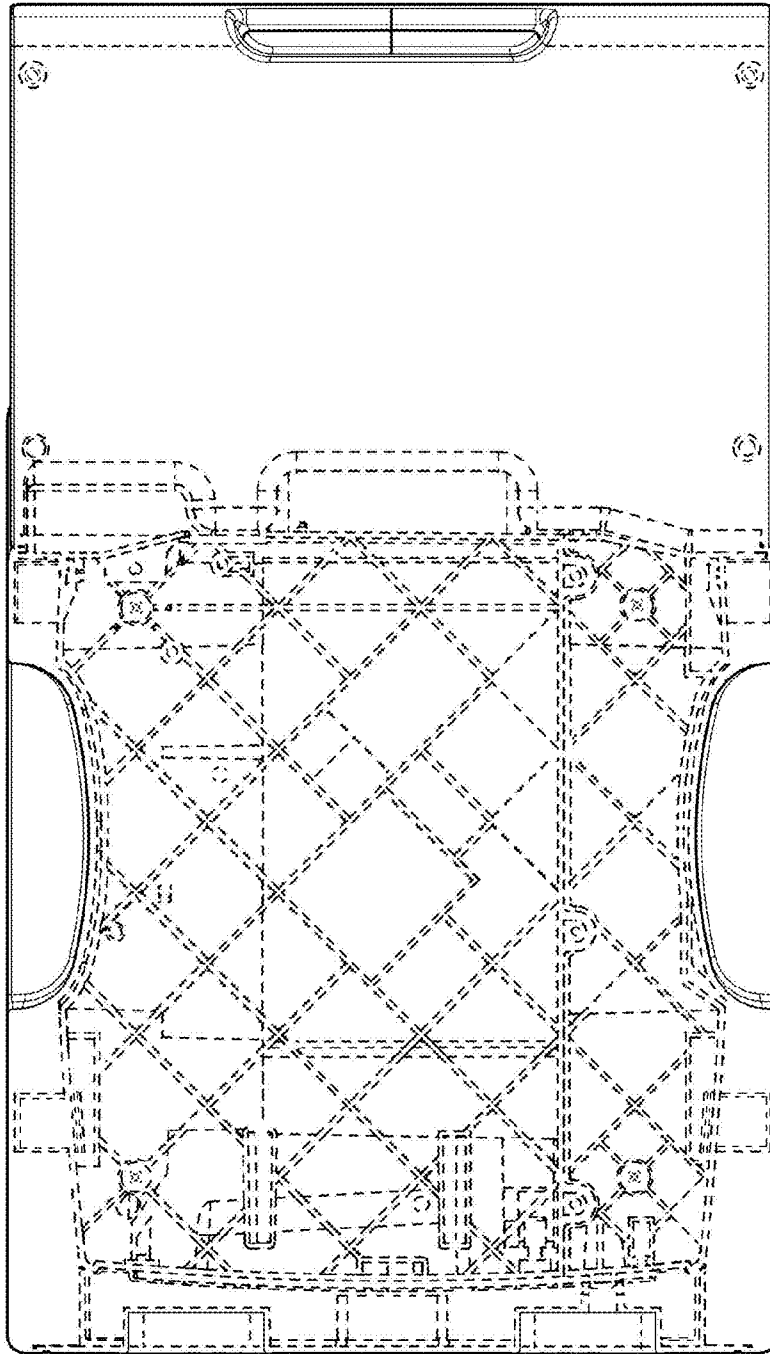


Fig. 8