



(12) **United States Design Patent**  
**Kim et al.**

(10) **Patent No.:** **US D810,045 S**  
(45) **Date of Patent:** **\*\* Feb. 13, 2018**

(54) **BLUETOOTH SPEAKER**  
(71) Applicant: **LG ELECTRONICS INC.**, Seoul (KR)

D504,882 S \* 5/2005 Bhavnani ..... D14/168  
D521,927 S \* 5/2006 Franck ..... D13/108  
D577,356 S \* 9/2008 Moon ..... D14/168  
(Continued)

(72) Inventors: **Sungwoo Kim**, Seoul (KR);  
**Seunghyun Ji**, Seoul (KR); **Hanwool Choi**, Seoul (KR)

**OTHER PUBLICATIONS**

Urge Basics Bluetooth Disc Speaker, announced Dec. 2013, [online], site visited Nov. 10, 2016. Available from Internet, <URL: <http://www.amazon.com>>.\*

(73) Assignee: **LG ELECTRONICS INC.**, Seoul (KR)

*Primary Examiner* — Ian Simmons  
*Assistant Examiner* — Janice Patyk  
(74) *Attorney, Agent, or Firm* — Birch, Stewart, Kolasch & Birch, LLP

(\*\*) Term: **15 Years**

(21) Appl. No.: **29/535,614**

(22) Filed: **Aug. 7, 2015**

(30) **Foreign Application Priority Data**

(57) **CLAIM**

Feb. 9, 2015 (KR) ..... 30-2015-0006902

The ornamental design for a bluetooth speaker, as shown and described.

(51) **LOC (11) Cl.** ..... **14-01**

(52) **U.S. Cl.**  
USPC ..... **D14/204**

**DESCRIPTION**

(58) **Field of Classification Search**  
USPC ..... D14/167, 168, 170–172, 188, D14/203.1–203.8, 204, 209.1, 210–213, D14/215, 216, 498–510; 181/143, 144, 181/148, 153, 157, 198, 199; 369/6–12; 381/300–303, 361–364, 366, 386–388  
CPC ..... G06F 1/1688; G10K 9/22; H04N 5/64; H04R 1/02; H04R 1/021; H04R 1/025; H04R 1/026; H04R 1/028; H04R 1/403; H04R 1/2803; H04R 1/2834; H04R 5/02; H04R 9/06; H04R 19/013; H04R 2201/021; H04R 2400/00; H04R 2499/11; H05K 5/00; H05K 5/0086  
See application file for complete search history.

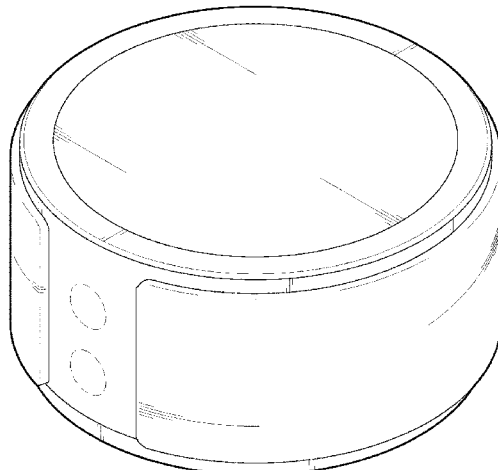
FIG. 1 is a perspective view of a bluetooth speaker showing our new design;  
FIG. 2 is a front view thereof;  
FIG. 3 is a rear view thereof;  
FIG. 4 is a left side view thereof, and the right side view being a mirror image thereof;  
FIG. 5 is a top plan view thereof;  
FIG. 6 is a bottom plan view thereof;  
FIG. 7 is a perspective view thereof, shown in lifted condition;  
FIG. 8 is a front view thereof, shown in lifted condition;  
FIG. 9 is a rear view thereof, shown in lifted condition; and  
FIG. 10 is a left side view thereof, shown in lifted condition.  
The broken lines depict portions of the bluetooth speaker that form no part of the claimed design. The dot-dash broken lines represent the bounds of the claimed design and form no part thereof.

(56) **References Cited**

**U.S. PATENT DOCUMENTS**

D438,195 S \* 2/2001 Chao ..... D14/222  
D496,038 S \* 9/2004 Floyd ..... D14/356

**1 Claim, 8 Drawing Sheets**



(56)

**References Cited**

U.S. PATENT DOCUMENTS

D585,898	S	*	2/2009	Skurdal	.....	D14/434
D602,911	S	*	10/2009	Wang	.....	D14/216
D617,314	S	*	6/2010	Zha	.....	D14/216
D652,023	S	*	1/2012	Chen	.....	D14/216
D671,528	S	*	11/2012	Fathollahi	.....	D14/211
D692,898	S	*	11/2013	Luijben	.....	D14/447

\* cited by examiner

FIG. 1

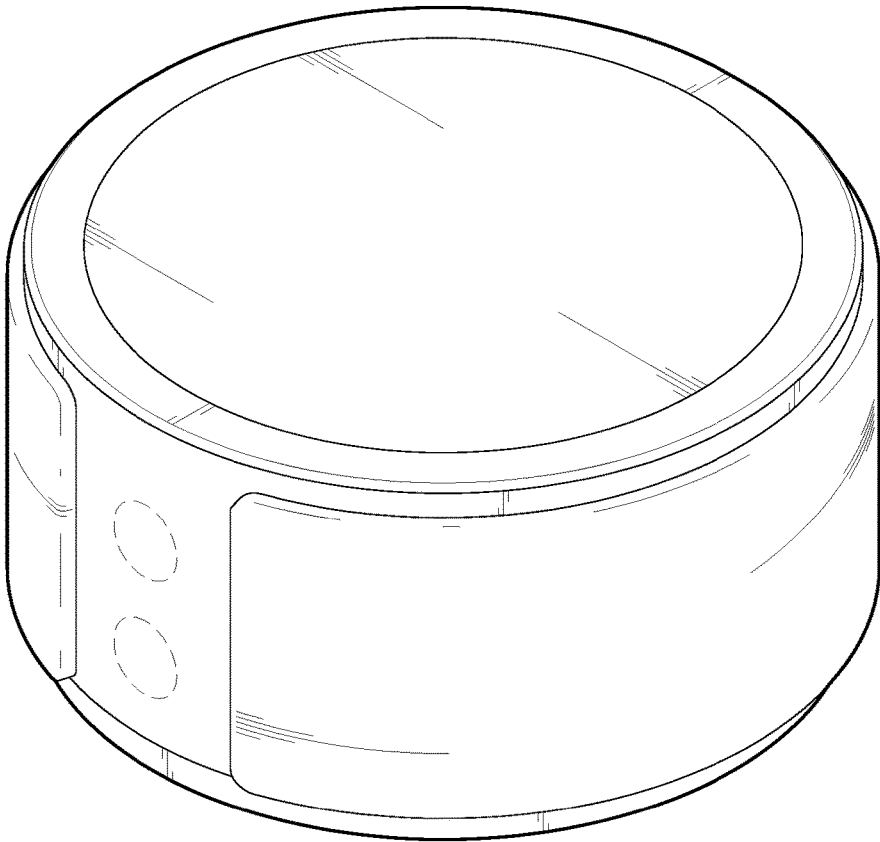


FIG. 2

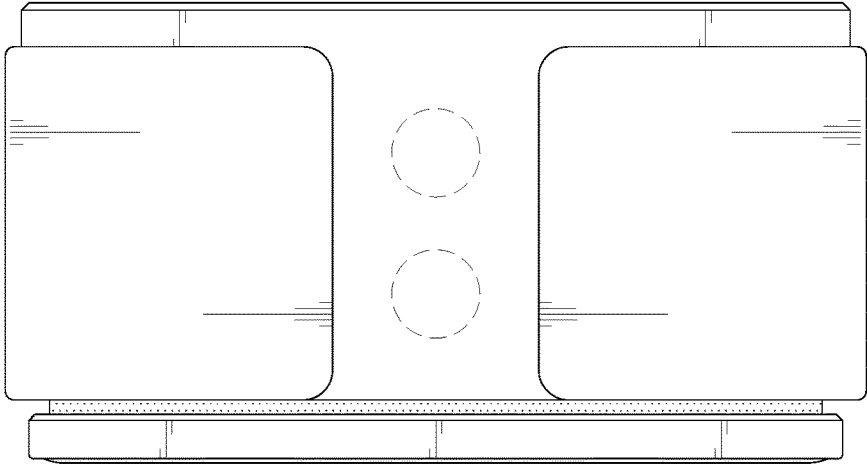


FIG. 3

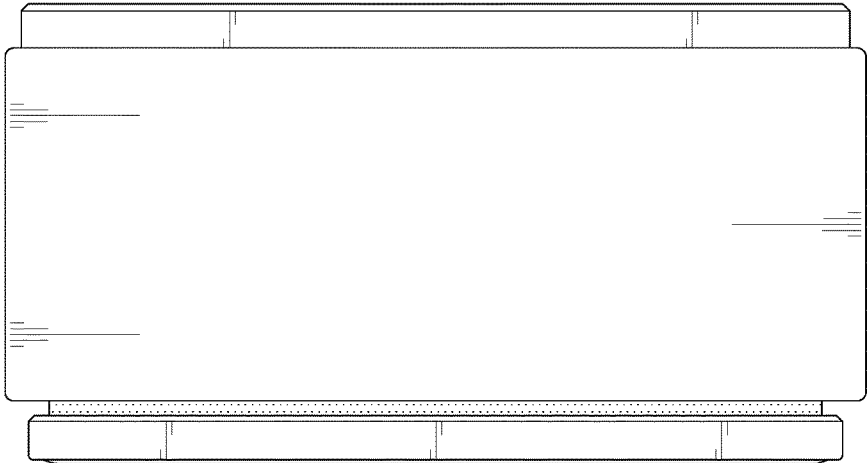


FIG. 4

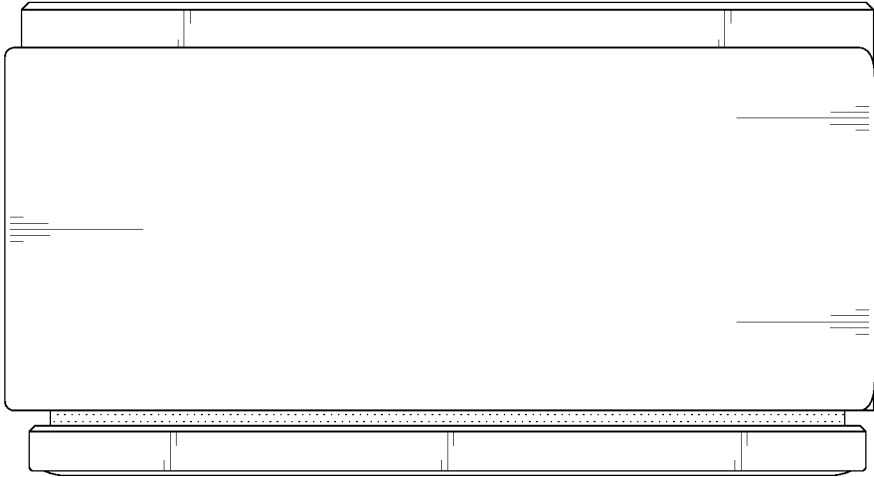


FIG. 5

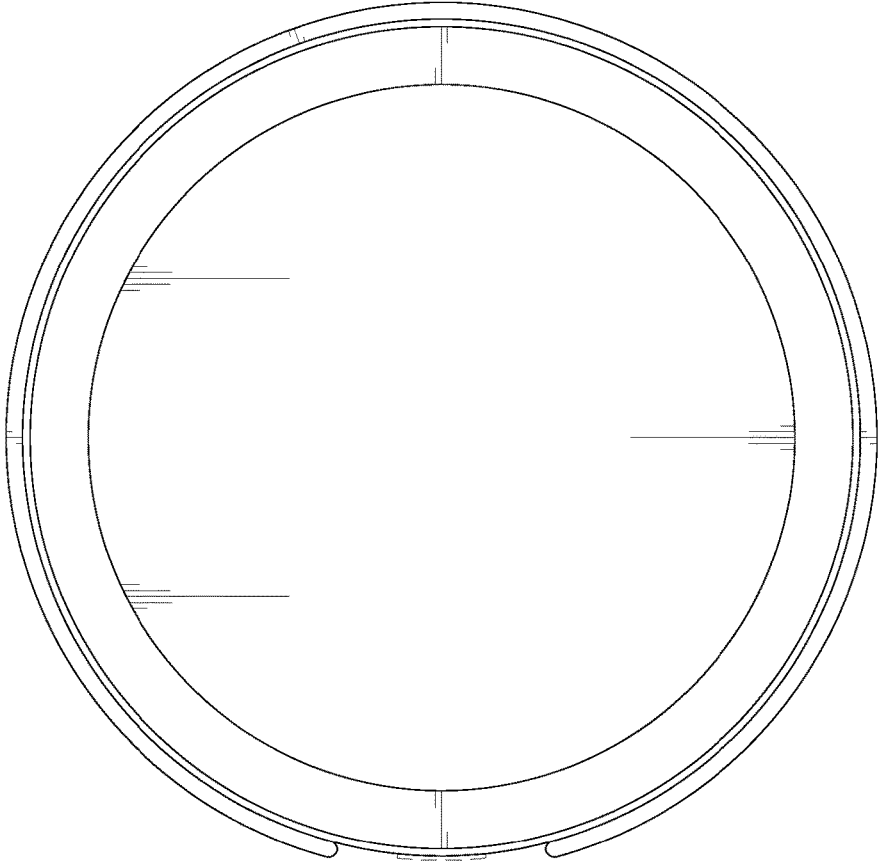


FIG. 6

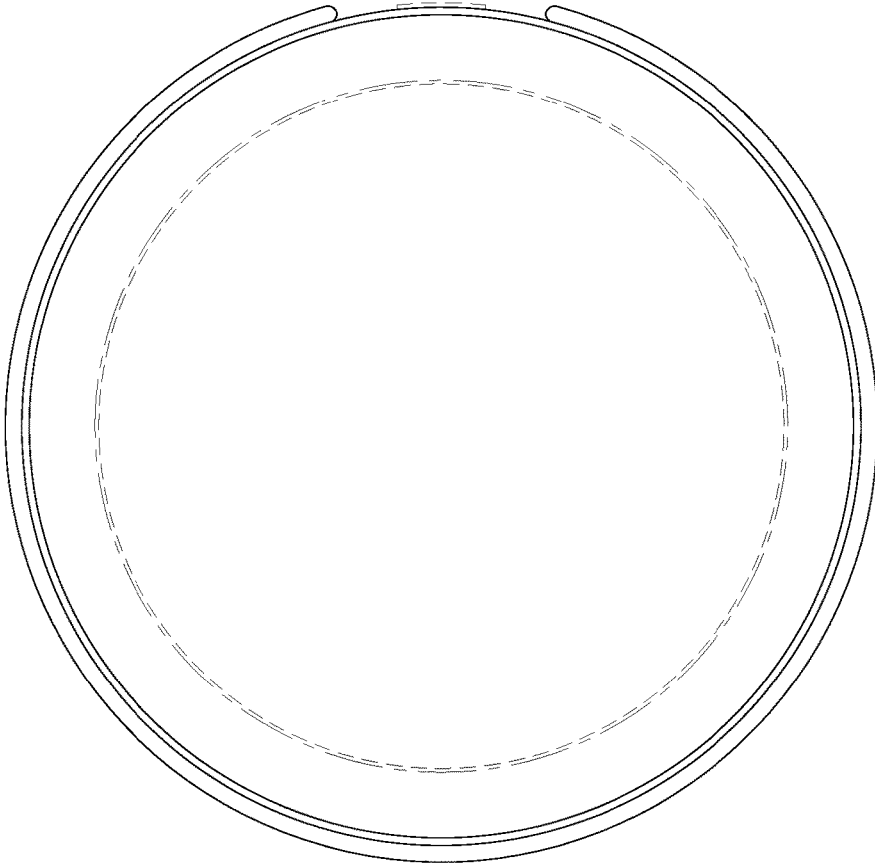


FIG. 7

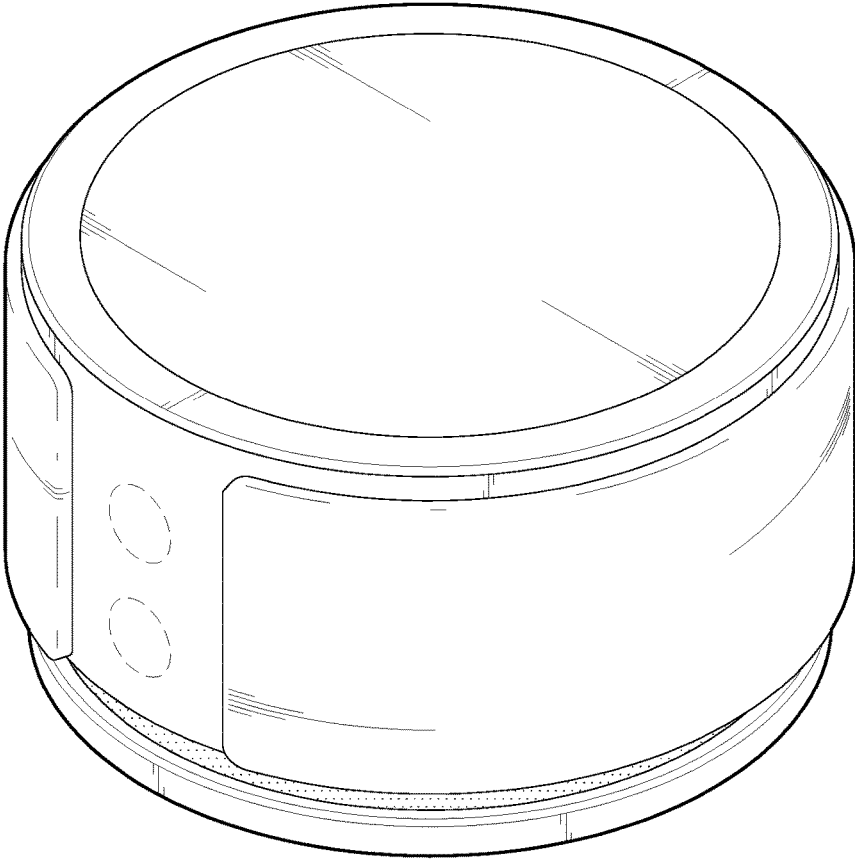




FIG. 8

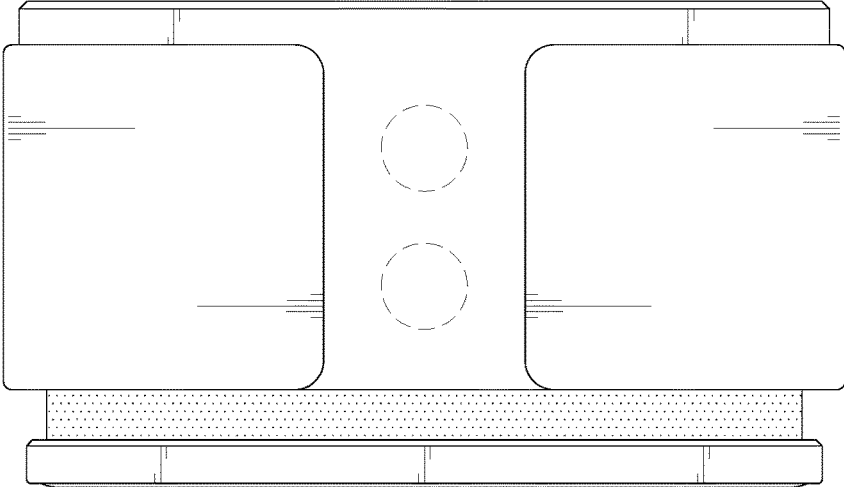


FIG. 9

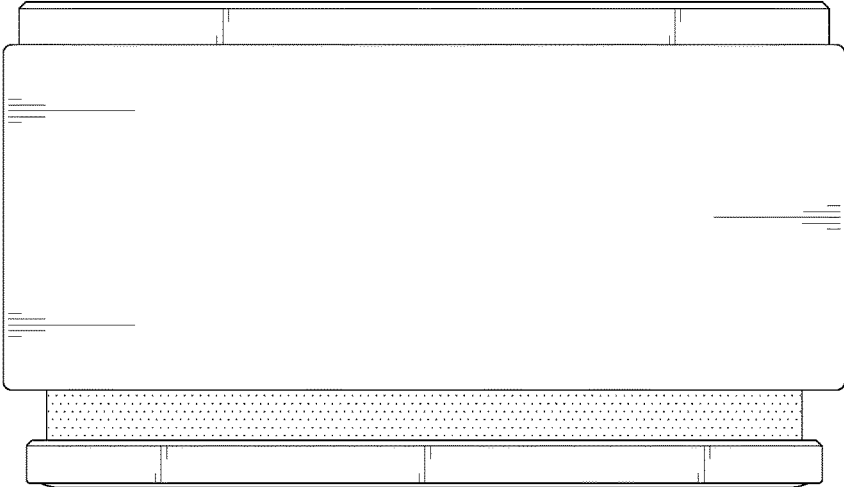


FIG. 10

