

[54] **BENCH**

[75] **Inventor: Robert M. Hanna, Philadelphia, Pa.**

[73] **Assignee: Hanna/Olin, Ltd., Philadelphia, Pa.**

[\*\*] **Term: 14 Years**

[21] **Appl. No.: 6,633**

[22] **Filed: Jan. 22, 1987**

[52] **U.S. Cl. .... D6/381; D6/370**

[58] **Field of Search .... D6/349, 370**

[56] **References Cited**

**U.S. PATENT DOCUMENTS**

D. 263,353 3/1982 Beals ..... D6/370  
763,617 6/1904 Lennon ..... D6/349

**OTHER PUBLICATIONS**

Goshen-Lawn Traditionals, p. 11, Bench.

*Primary Examiner*—Bruce W. Dunkins

*Assistant Examiner*—Ann Hunt

*Attorney, Agent, or Firm*—Robert C. Podwil

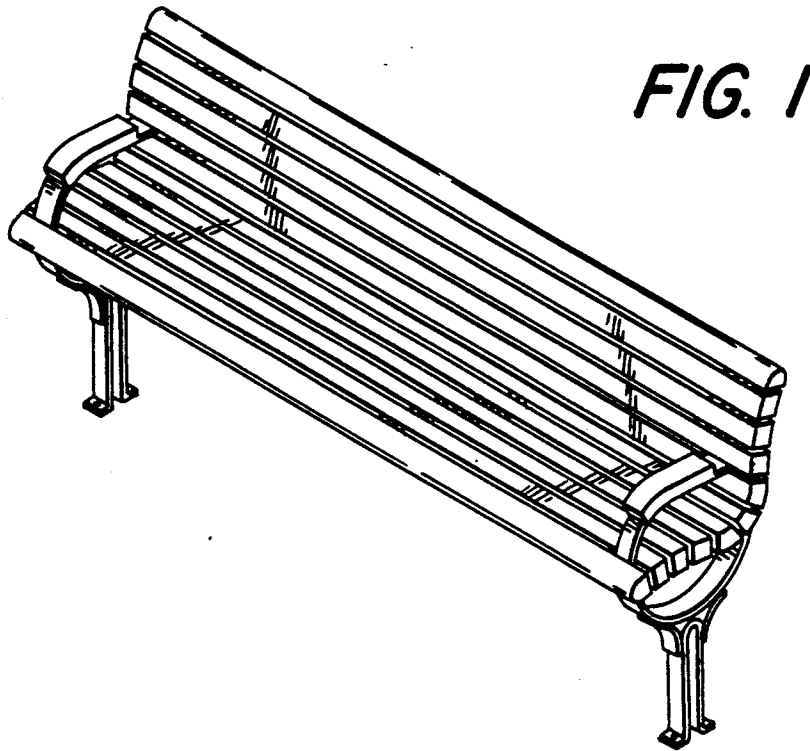
[57] **CLAIM**

The ornamental design for an bench, as shown and described.

**DESCRIPTION**

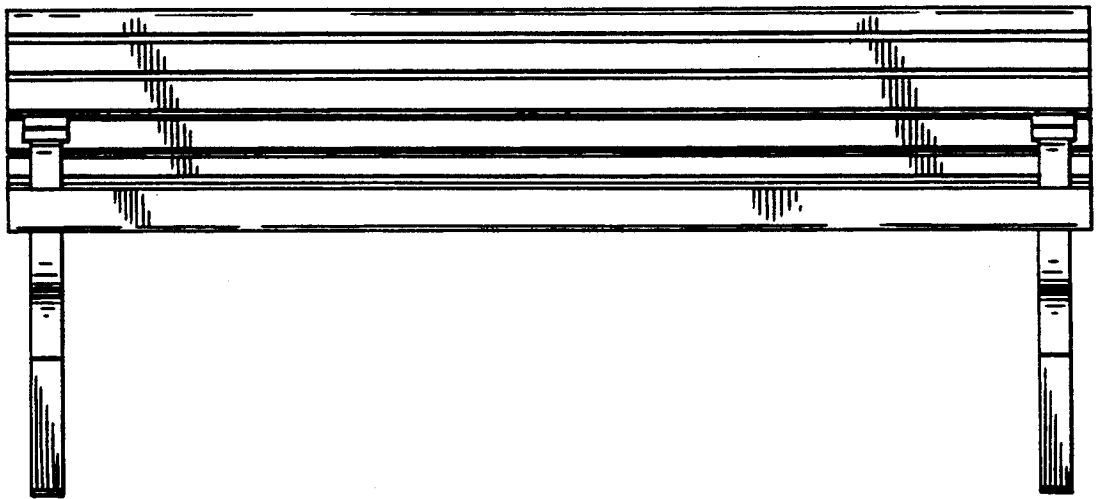
FIG. 1 is a front perspective view of the bench showing my new design;  
FIG. 2 is a front elevational view;  
FIG. 3 is a rear elevational view;  
FIG. 4 is a top plan view;  
FIG. 5 is a bottom plan view; and  
FIG. 6 is a side elevational view thereof.

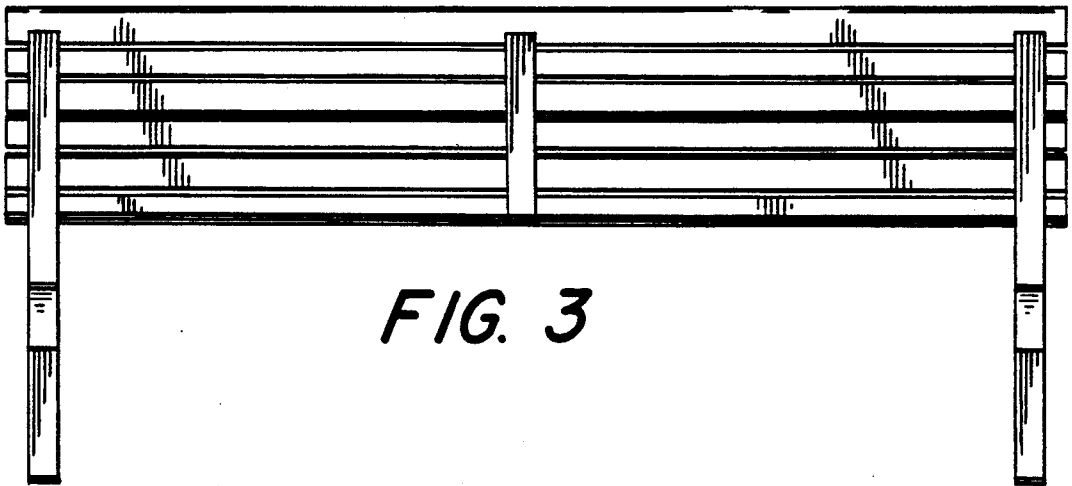




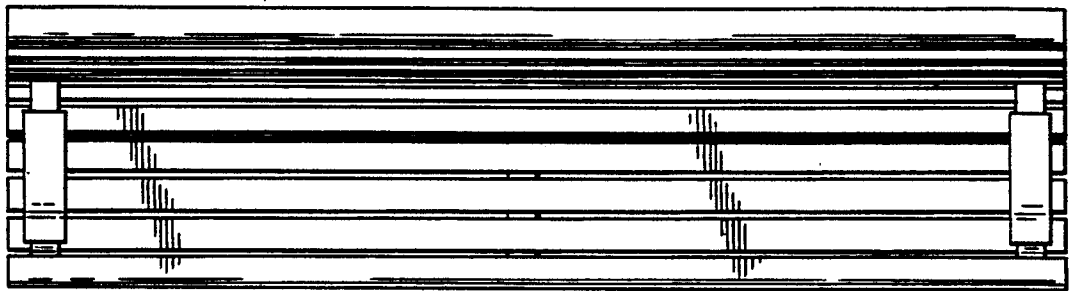
*FIG. 1*

*FIG. 2*

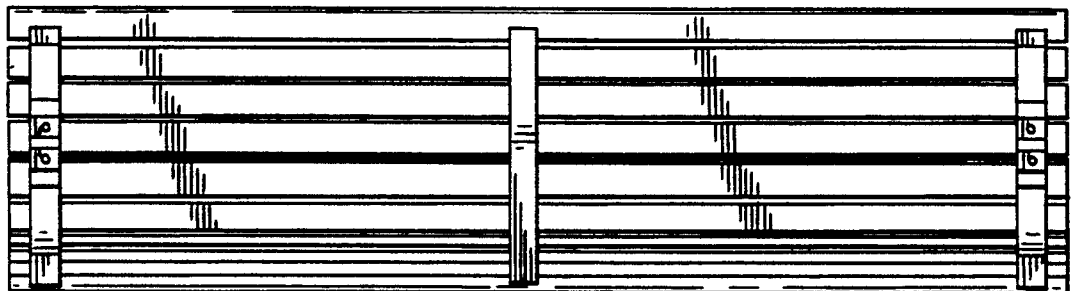




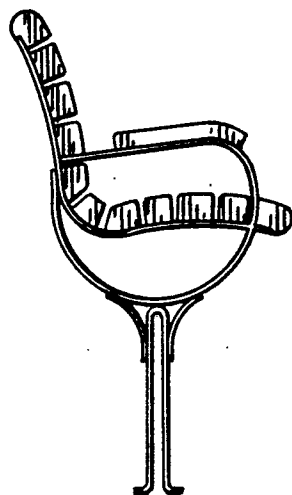
*FIG. 3*



*FIG. 4*



*FIG. 5*



*FIG. 6*