



US00D754597S

(12) **United States Design Patent**  
**Osborn et al.**

(10) **Patent No.:** **US D754,597 S**

(45) **Date of Patent:** **\*\* Apr. 26, 2016**

- (54) **SOLAR MODULE**
- (71) Applicant: **Soliculture, Inc.**, Scotts Valley, CA (US)
- (72) Inventors: **Melissa Osborn**, Scotts Valley, CA (US);  
**Shila Alavi**, San Jose, CA (US)
- (73) Assignee: **SOLICULTURE, INC.**, Scotts Valley,  
CA (US)
- (\*\*) Term: **14 Years**
- (21) Appl. No.: **29/453,292**
- (22) Filed: **Apr. 26, 2013**
- (51) **LOC (10) Cl.** ..... **13-02**
- (52) **U.S. Cl.**  
USPC ..... **D13/102**
- (58) **Field of Classification Search**  
USPC ..... D13/102, 101, 133, 182, 199; D5/6, 7,  
D5/20, 24, 36, 37, 53, 55, 56, 57, 60, 61,  
D5/63; D25/102, 106, 107, 108, 140, 157,  
D25/158, 163; 126/561, 566, 569, 571;  
136/243-247, 251, 252, 254, 256;  
428/156, 213, 215, 220, 542.2, 542.6,  
428/919  
CPC ..... H01L 31/02; H01L 31/042; H01L 31/048;  
H01L 27/142; H01L 27/1421  
See application file for complete search history.

2007/0144577	A1*	6/2007	Rubin et al.	.....	136/256
2008/0210286	A1*	9/2008	Ball	.....	136/244
2010/0313933	A1*	12/2010	Xu	.....	136/246

\* cited by examiner

*Primary Examiner* — Derrick Holland  
(74) *Attorney, Agent, or Firm* — Richard T. Ogawa; Ogawa P.C.

(57) **CLAIM**  
The ornamental design for a solar module, as shown and described.

**DESCRIPTION**

The patent or application file contains at least one drawing executed in color. Copies of this patent or patent application publication with color drawing(s) will be provided by the Office upon request and payment of the necessary fee.

FIG. 1 is a color perspective view of a solar module showing our new design;  
 FIG. 2 is a front color view thereof;  
 FIG. 3 is a back color view thereof;  
 FIG. 4 is a top color view thereof, with a partially enlarged area shown for ease of illustration;  
 FIG. 5 is a bottom color view thereof, with a partially enlarged area shown for ease of illustration;  
 FIG. 6 is a first side color view thereof, with a partially enlarged area shown for ease of illustration; and  
 FIG. 7 is a second side color view thereof, with a partially enlarged area shown for ease of illustration.

The broken line shown of environment and all views are for illustrative purposes only and forms no part of the claimed design. The solar module can be for a horticulture application.

**1 Claim, 7 Drawing Sheets**  
**(7 of 7 Drawing Sheet(s) Filed in Color)**

(56) **References Cited**

U.S. PATENT DOCUMENTS

D442,139	S	*	5/2001	Sasaoka	.....	D13/102
D467,225	S	*	12/2002	Sudo	.....	D13/102
D588,534	S	*	3/2009	Sharma et al.	.....	D13/102
D690,261	S	*	9/2013	Wu et al.	.....	D13/102

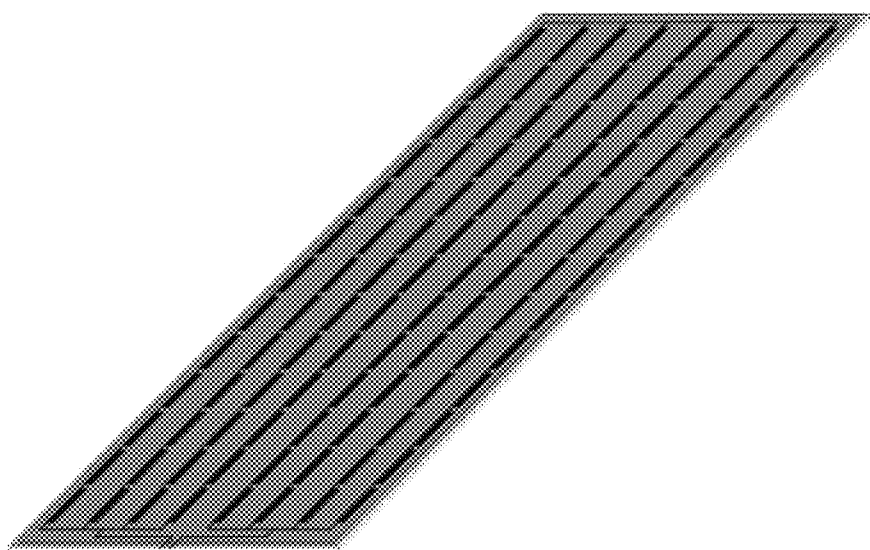


FIGURE 1

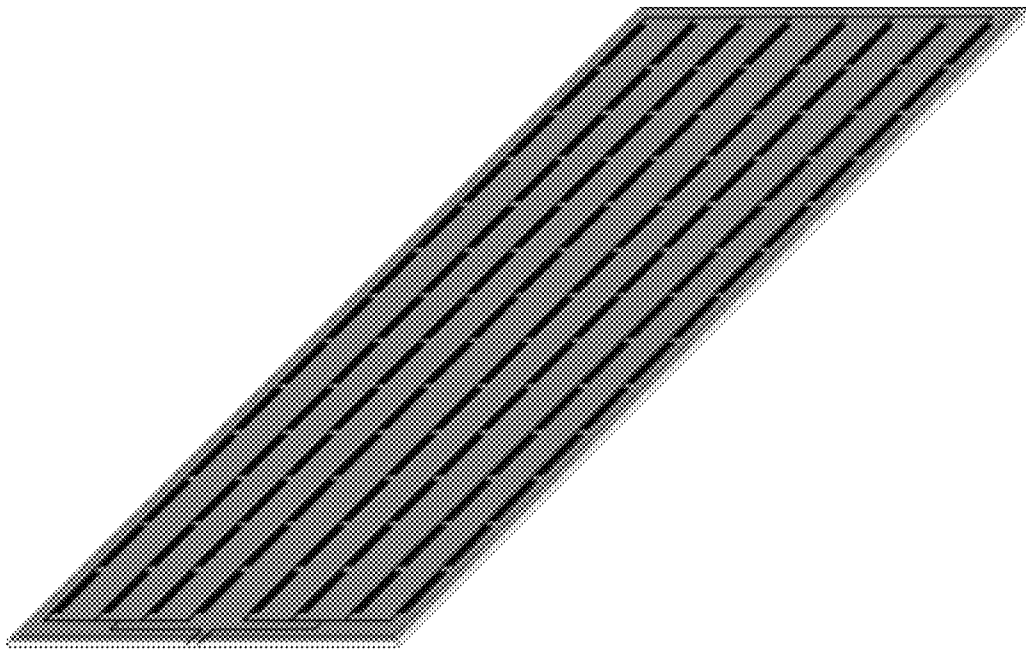


FIGURE 2

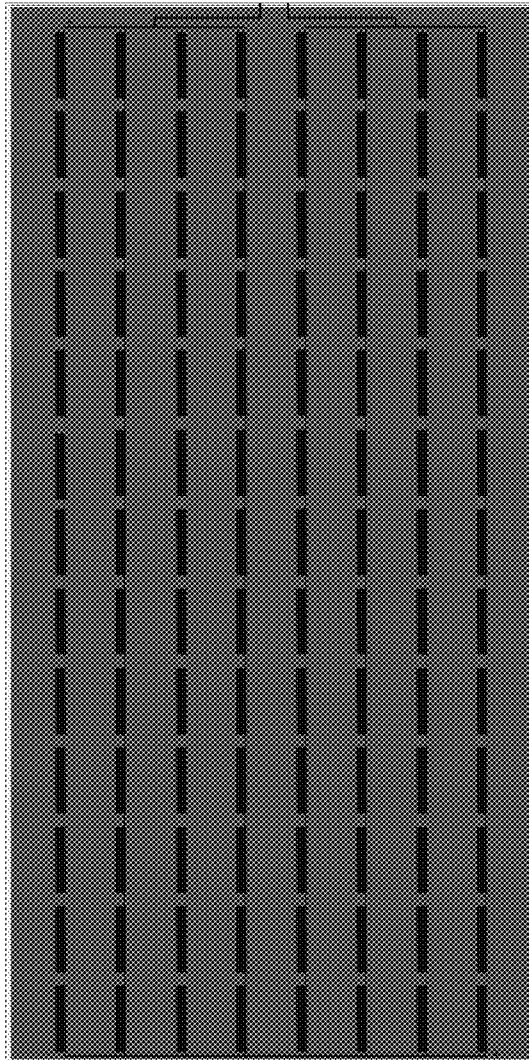


FIGURE 3

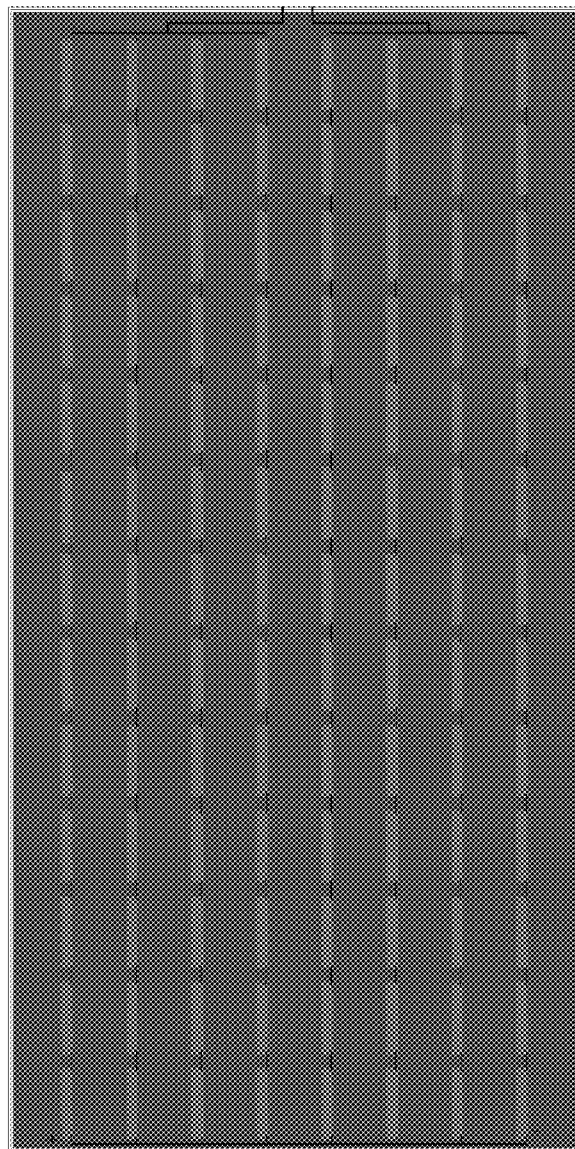


FIGURE 4

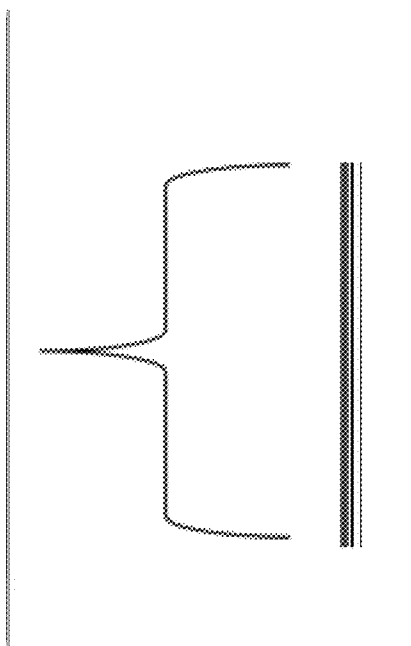


FIGURE 5

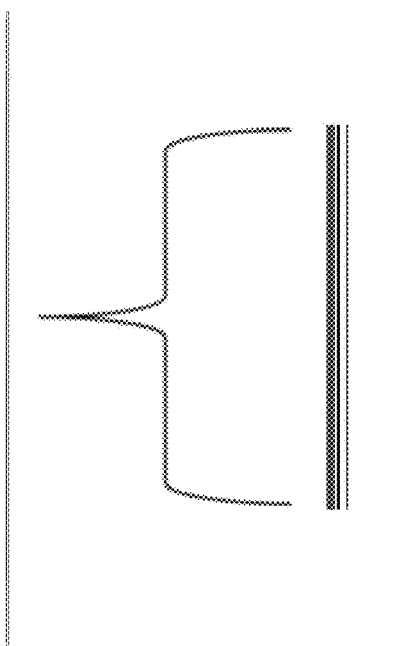


FIGURE 6

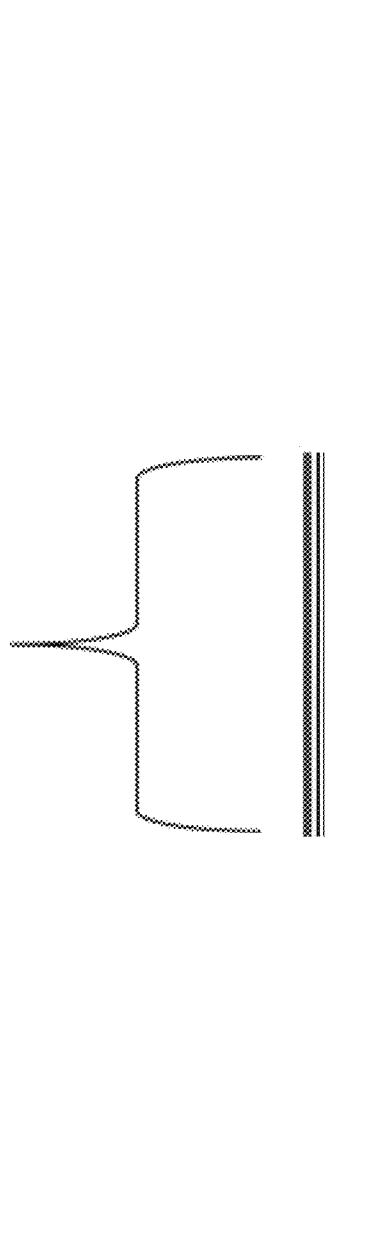


FIGURE 7

