



US00D866665S

(12) **United States Design Patent**  
**Palmer et al.**

(10) **Patent No.:** **US D866,665 S**

(45) **Date of Patent:** **\*\* Nov. 12, 2019**

(54) **GAME BOARD**

(71) Applicants: **Josh J. Palmer**, Willsboro, NY (US);  
**Kenny Alterie**, Peru, NY (US)

(72) Inventors: **Josh J. Palmer**, Willsboro, NY (US);  
**Kenny Alterie**, Peru, NY (US)

(\*\*) Term: **15 Years**

(21) Appl. No.: **29/627,941**

(22) Filed: **Nov. 30, 2017**

(51) **LOC (12) Cl.** ..... **21-01**

(52) **U.S. Cl.**

USPC ..... **D21/342**; D21/335; D21/303

(58) **Field of Classification Search**

USPC ..... D21/300-304, 324, 333-346, 365, 369,  
D21/385, 392-397, 148 R, 309, 459, 460,  
D21/319, 789-792; 273/342-346, 335,  
273/236, 237, 238, 242, 244.2, 248-263,  
273/274, 275, 277-291, 292, 398-402,  
273/317, 336, 348, 407-410, 108, 331,  
273/118 R, 123 R, 127 R; D10/46.1, 46;  
235/90, 1 B-1 D; 463/13, 1, 46, 47;  
16/225; 116/222-225, 325, 326;  
473/180, 175, 179, 182, 185, 187, 569,  
473/592; D6/683, 683.1, 706, 707,  
D6/707.18, 707.19, 657, 661.2, 660, 672,  
D6/673, 675, 675.4, 680.2, 681;  
211/71.01, 73, 85, 85.17, 132.1, 60.1,  
211/70.6, 70.7, 175; D7/637-641, 632,  
D7/601; D19/75; 312/301, 298;  
206/553; 248/37.3, 37.6; 30/298.4  
CPC .... A63F 1/00; A63F 1/06; A63F 1/062; A63F  
1/067; A63F 1/18; A63F 3/0023; A63F  
3/00574; A63F 3/00006; A63F 3/00643;  
A63F 3/00082; A63F 3/00097; A63F  
3/00173; A63F 3/00157; A63F 3/00261;  
A63F 2003/00233; A63F 2003/00946;  
A63F 2003/00943; A63F 2003/0034;  
A63F 2003/00583; A63F 2003/00182;  
A63F 2003/0022; A63F 2003/00255;  
A63F 2003/00457; A63F 2250/20; A63F

9/0093; A63F 9/24; A63F 11/0051; A63F  
2011/0055; A63F 2009/245134; A63B  
63/00; A63B 63/08; A63B 67/00; A63B  
67/06; A63B 67/066; A63B 2063/002;  
(Continued)

(56) **References Cited**

U.S. PATENT DOCUMENTS

1,072,954 A \* 9/1913 Junn ..... A63F 7/02  
273/394  
1,465,160 A \* 8/1923 Di Luchio ..... A63F 3/02  
273/264

(Continued)

OTHER PUBLICATIONS

BeanBagglz: World's First Beanbag Tossing Game with . . . Product  
description [online]. Kickstarter, PBC © 2018 [retrieved on Aug. 11,  
2017]. Retrieved from the Internet: <URL: <https://www.kickstarter.com/projects/beanbagbilliards/hot-new-summer-game-cornhole-on-steroids>>.

*Primary Examiner* — Susan Moon Lee

(74) *Attorney, Agent, or Firm* — Cramer Patent & Design,  
PLLC; Aaron R. Cramer

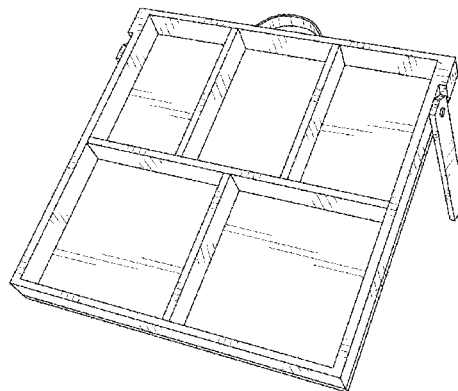
(57) **CLAIM**

The ornamental design for a game board, as shown and  
described.

**DESCRIPTION**

FIG. 1 is a perspective top front right view of a game board,  
showing our new design;  
FIG. 2 is a perspective bottom rear left view thereof;  
FIG. 3 is a front elevation view thereof;  
FIG. 4 is a rear elevation view thereof;  
FIG. 5 is a right side elevation view thereof;  
FIG. 6 is a left side elevation view thereof;  
FIG. 7 is a top plan view thereof; and,  
FIG. 8 is a bottom plan view thereof.

**1 Claim, 7 Drawing Sheets**



(58) **Field of Classification Search**

CPC ..... A63B 2067/065; A63B 2067/063; A63B 2067/061; A63B 2208/12; A63B 71/00; A47B 88/20; A47B 88/994; A47B 88/90; A47F 7/00; A47G 21/00; A47G 21/14; B26B 3/00

See application file for complete search history.

(56) **References Cited**

U.S. PATENT DOCUMENTS

3,100,642 A \* 8/1963 Goldstein ..... A63F 3/00895  
206/579  
3,107,095 A \* 10/1963 Cairns ..... A63F 9/0204  
273/398  
3,165,317 A \* 1/1965 Kirsch ..... A63F 9/0204  
273/388  
3,351,344 A \* 11/1967 Dupuy ..... A63B 63/08  
273/400  
3,379,316 A \* 4/1968 Harrell ..... B60N 3/002  
211/73  
3,588,115 A \* 6/1971 Nichols ..... A63F 1/02  
273/271  
D226,570 S \* 3/1973 Neece ..... D21/335  
3,749,401 A \* 7/1973 Hayko ..... A63F 9/0204  
273/389  
3,778,063 A \* 12/1973 Strand ..... A63F 3/00094  
273/237  
3,990,703 A \* 11/1976 Evans ..... A63B 67/06  
273/400  
D242,654 S \* 12/1976 Rawls ..... D24/229  
4,012,042 A \* 3/1977 Blasingame ..... A63B 63/08  
273/401  
4,155,198 A \* 5/1979 Kelley ..... A01G 9/0295  
47/84  
4,331,335 A \* 5/1982 Starkweather ..... A47F 1/04  
108/32  
4,415,154 A \* 11/1983 Engelhardt ..... A63B 69/0097  
473/456  
4,826,177 A \* 5/1989 Ponte ..... A63B 43/002  
273/400  
4,982,966 A \* 1/1991 Teafatiller ..... A63B 67/06  
273/336  
D325,224 S \* 4/1992 Russell ..... D21/303

D333,492 S \* 2/1993 Paredes ..... D21/303  
D338,376 S \* 8/1993 Ulber ..... D7/637  
5,318,307 A \* 6/1994 Bouchard ..... A63B 67/06  
273/271  
5,332,230 A \* 7/1994 Benedict ..... A63B 67/06  
273/400  
5,342,057 A \* 8/1994 Sorkoram ..... A63F 9/001  
273/239  
D357,034 S \* 4/1995 King ..... D19/77  
5,468,062 A \* 11/1995 Finnegan ..... A47B 88/994  
312/301  
D425,302 S \* 5/2000 Fountain, Sr. .... D3/283  
7,500,674 B2 \* 3/2009 Riley ..... A63B 67/06  
273/126 R  
D646,334 S \* 10/2011 Ingram ..... D21/303  
8,157,265 B2 4/2012 Conville et al.  
D693,883 S \* 11/2013 Wilson, Jr. .... D21/303  
8,807,355 B2 \* 8/2014 Merey ..... A47B 97/00  
211/175  
8,807,569 B1 8/2014 Davis  
9,381,414 B1 7/2016 Gattton et al.  
D768,986 S \* 10/2016 Parker ..... D3/310  
D779,854 S \* 2/2017 Gollinucci ..... D6/574  
D807,963 S \* 1/2018 Zandonella ..... D21/303  
10,071,295 B1 \* 9/2018 Palmer ..... A63B 67/06  
2006/0124647 A1 \* 6/2006 Rosenberg ..... A47B 88/994  
220/500  
2008/0237990 A1 \* 10/2008 Litz ..... A63B 67/06  
273/400  
2009/0115136 A1 \* 5/2009 Voden ..... A63B 21/0053  
273/336  
2010/0164175 A1 7/2010 Buchanan  
2012/0043723 A1 \* 2/2012 Rakes ..... A63B 63/00  
273/407  
2012/0193873 A1 \* 8/2012 Sindaco ..... A63B 63/00  
273/400  
2013/0082442 A1 \* 4/2013 Hanel ..... A63B 63/00  
273/398  
2014/0091525 A1 4/2014 Ramirez  
2015/0069708 A1 \* 3/2015 Mashburn ..... A63B 67/06  
273/400  
2015/0108719 A1 4/2015 Devine  
2015/0115532 A1 4/2015 Martinson et al.  
2016/0256758 A1 \* 9/2016 Riniti ..... A63B 67/06

\* cited by examiner

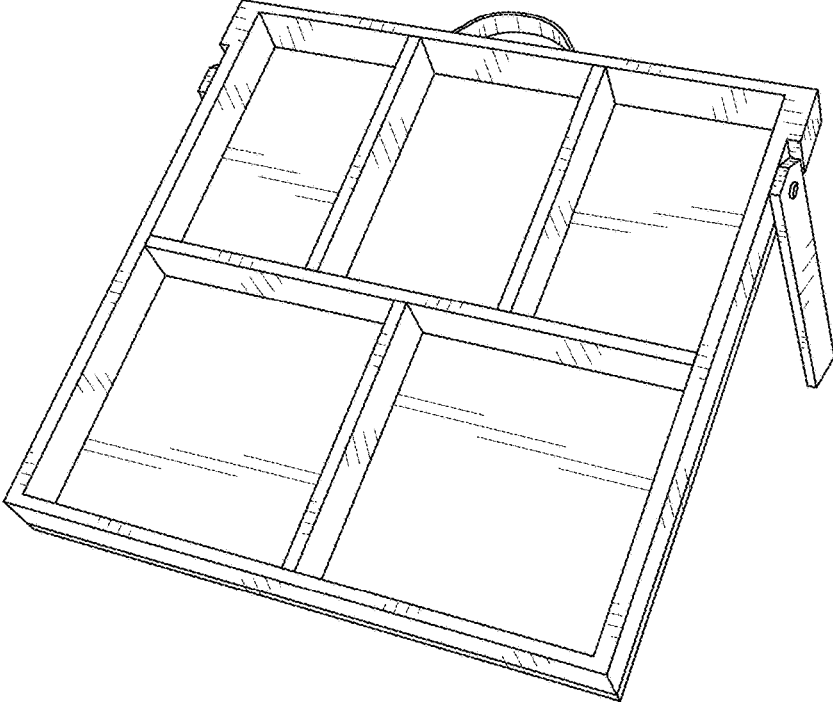


FIG. 1

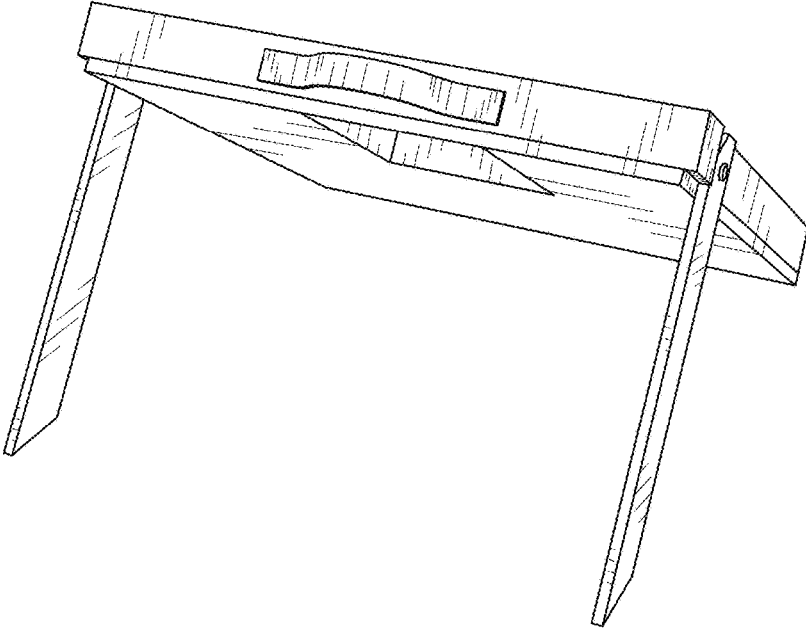


FIG. 2

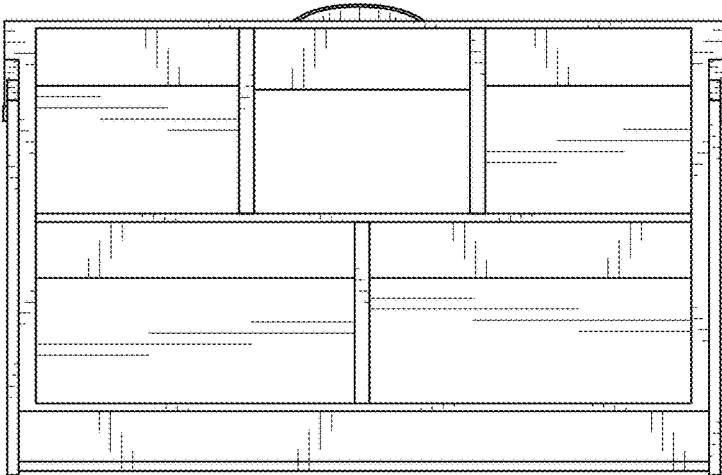


FIG. 3

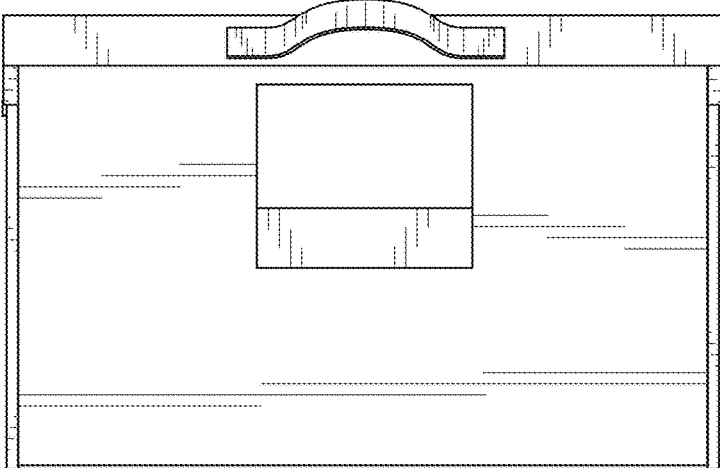


FIG. 4

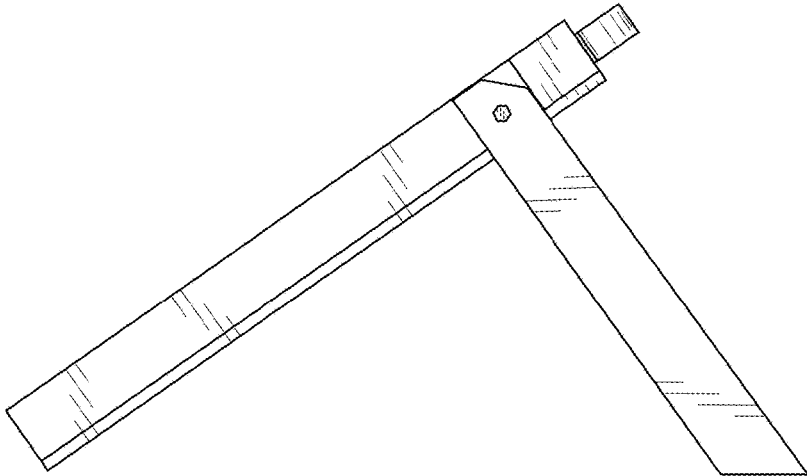


FIG. 5

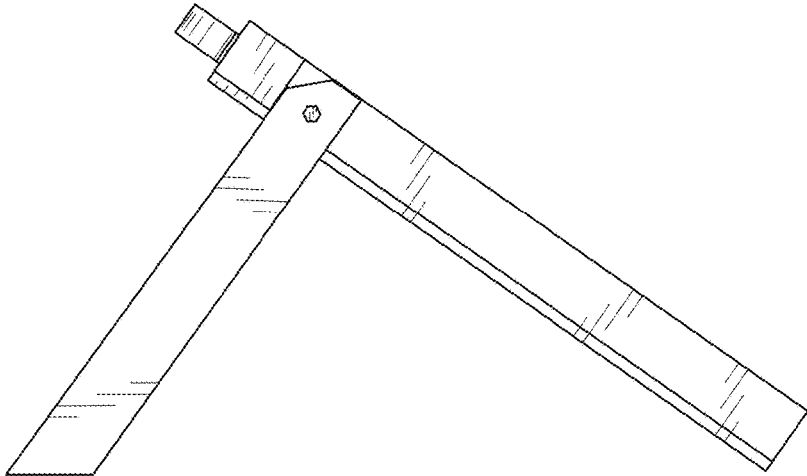


FIG. 6

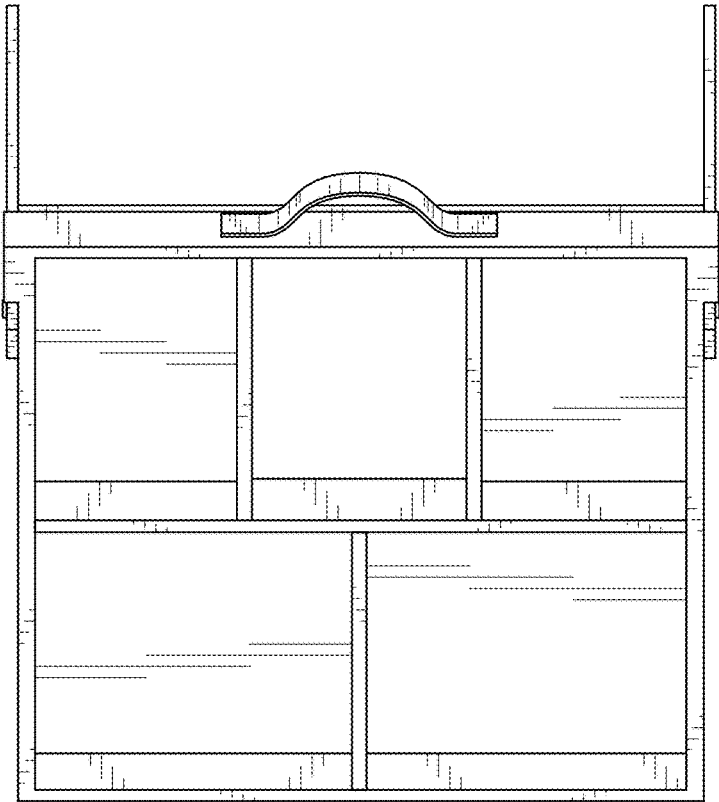


FIG. 7



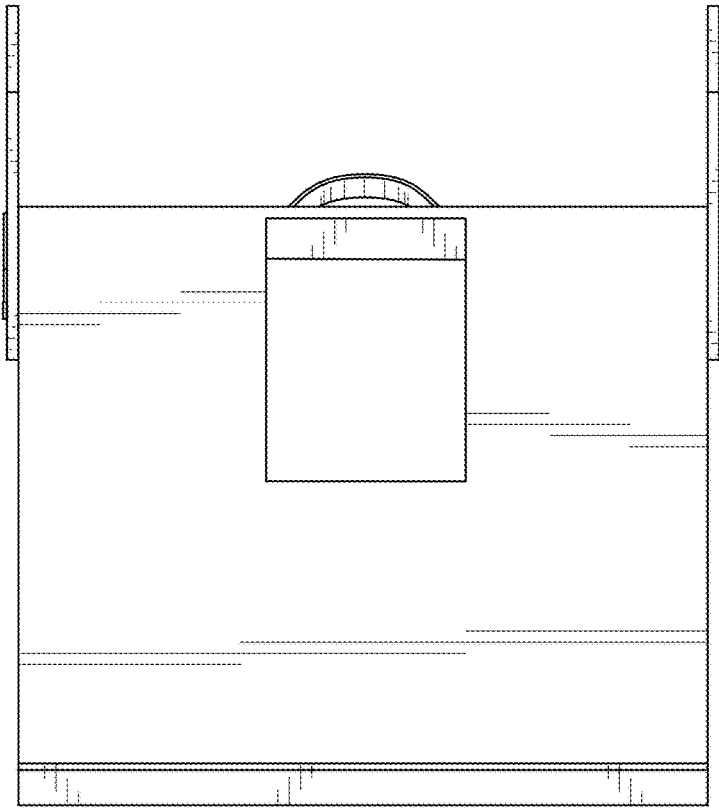


FIG. 8