

(19) World Intellectual Property
Organization
International Bureau



(43) International Publication Date
8 July 2004 (08.07.2004)

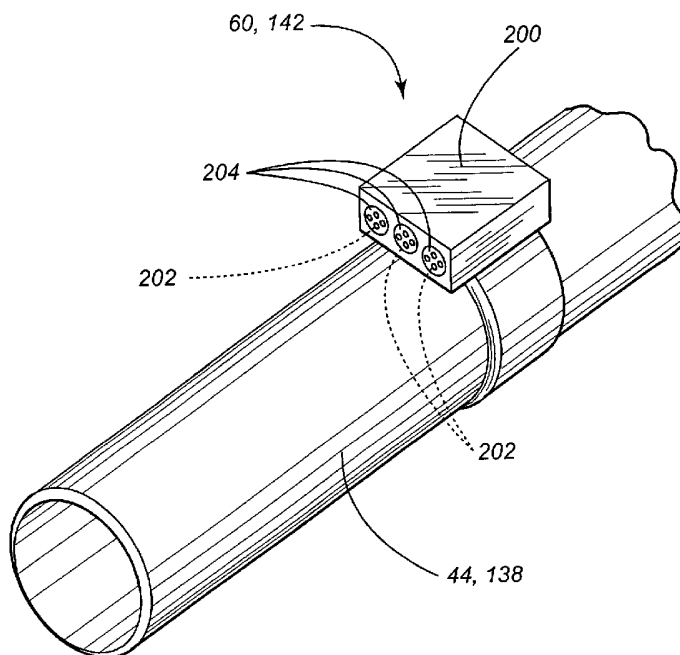
PCT

(10) International Publication Number
WO 2004/056251 A3

- (51) International Patent Classification⁷: **A47L 9/30** **MAYES, Robert, M.** [US/US]; 261 Hays Lane, Danville, KY 40422 (US).
- (21) International Application Number: PCT/US2003/040768 (74) Agents: **SCHICKLI, Warren, D.** et al.; King & Schickli, PLLC, 247 North Broadway, Lexington, KY 40507 (US).
- (22) International Filing Date: 18 December 2003 (18.12.2003) (81) Designated States (*national*): AE, AG, AL, AM, AT, AU, AZ, BA, BB, BG, BR, BY, BZ, CA, CH, CN, CO, CR, CU, CZ, DE, DK, DM, DZ, EC, EE, ES, FI, GB, GD, GE, GH, GM, HR, HU, ID, IL, IN, IS, JP, KE, KG, KP, KR, KZ, LC, LK, LR, LS, LT, LU, LV, MA, MD, MG, MK, MN, MW, MX, MZ, NI, NO, NZ, OM, PG, PH, PL, PT, RO, RU, SC, SD, SE, SG, SK, SL, SY, TJ, TM, TN, TR, TT, TZ, UA, UG, US, UZ, VC, VN, YU, ZA, ZM, ZW.
- (25) Filing Language: English (84) Designated States (*regional*): ARIPO patent (BW, GH, GM, KE, LS, MW, MZ, SD, SL, SZ, TZ, UG, ZM, ZW), Eurasian patent (AM, AZ, BY, KG, KZ, MD, RU, TJ, TM), European patent (AT, BE, BG, CH, CY, CZ, DE, DK, EE, ES, FI, FR, GB, GR, HU, IE, IT, LU, MC, NL, PT, RO, SE, SI, SK, TR), OAPI patent (BF, BJ, CF, CG, CI, CM, GA, GN, GQ, GW, ML, MR, NE, SN, TD, TG).
- (26) Publication Language: English
- (30) Priority Data: 60/435,158 18 December 2002 (18.12.2002) US
- (71) Applicant (*for all designated States except US*): **MATSUSHITA ELECTRIC CORPORATION OF AMERICA** [US/US]; One Panasonic Way, Secaucus, NJ 07094 (US).
- (72) Inventors; and
- (75) Inventors/Applicants (*for US only*): **OVERVAAG, Chad, D.** [US/US]; 678 Ben Ali Drive, Danville, KY 40422 (US).
- Published:
— with international search report

[Continued on next page]

(54) Title: LIGHTED WAND ASSEMBLY



(57) Abstract: A hand cleaning tool (12, 134) for a floor cleaning apparatus includes a wand (44, 13, 138) and a light source (60, 42) that is carried on the wand and oriented thereto for directing light onto a surface being cleaned. A floor cleaning apparatus (10, 110) incorporating the hand cleaning tool is also described.

WO 2004/056251 A3



— *before the expiration of the time limit for amending the claims and to be republished in the event of receipt of amendments*

For two-letter codes and other abbreviations, refer to the "Guidance Notes on Codes and Abbreviations" appearing at the beginning of each regular issue of the PCT Gazette.

(88) Date of publication of the international search report:
30 September 2004

INTERNATIONAL SEARCH REPORT

International application No.

PCT/US03/40768

A. CLASSIFICATION OF SUBJECT MATTER

IPC(7) : A47I 9/30
 US CL : 15/323, 324, 352, 353, 395, 398, 415.1; 55/dig. 3

According to International Patent Classification (IPC) or to both national classification and IPC

B. FIELDS SEARCHED

Minimum documentation searched (classification system followed by classification symbols)
 U.S. : 15/323, 324, 352, 353, 395, 398, 415.1; 55/dig. 3

Documentation searched other than minimum documentation to the extent that such documents are included in the fields searched

Electronic data base consulted during the international search (name of data base and, where practicable, search terms used)
 EAST US subclasses searched and searched A47L 9/30 in JPO, EPO, Derwent.

C. DOCUMENTS CONSIDERED TO BE RELEVANT

Category *	Citation of document, with indication, where appropriate, of the relevant passages	Relevant to claim No.
X	JP 7-255650 A (OYA) 09 October 1995 (09.10.1995), See entire document.	23-27
---		-----
Y		1-10,12-14,16-21,29-34
Y	US 6,436,160 B1 (STEPHENS et al.) 20 August 2002 (20.08.2002), see entire document.	1-3,5-10,12-14,16-21
Y	US 2001/0039692 A1 (WRIGHT et al.) 15 November 2001 (15.11.2001) see entire document.	1-3,5-10,12-14,16-21
Y	US 5,896,618 A (WOO et al.) 27 April 1999 (27.04.1999), see entire document.	8,19,23-24
y	US 5,467,502 A (JOHNSON et al.) 21 November 1995 (21.11.1995), see entire document.	1,4,12,15
A	US 5,983,443 A (REDDING) 16 November 1999 (16.11.1999), see entire document.	1-35
A	US 6,256,832 B1 (DYSON) 10 July 2001 (10.07.2001), see entire document.	1-35
A	US 6,289,552 B1 (McCORMICK) 18 September 2001 (18.09.2001), see entire document.	1-35

Further documents are listed in the continuation of Box C. See patent family annex.

* Special categories of cited documents:	"T"	later document published after the international filing date or priority date and not in conflict with the application but cited to understand the principle or theory underlying the invention
"A" document defining the general state of the art which is not considered to be of particular relevance	"X"	document of particular relevance; the claimed invention cannot be considered novel or cannot be considered to involve an inventive step when the document is taken alone
"E" earlier application or patent published on or after the international filing date	"Y"	document of particular relevance; the claimed invention cannot be considered to involve an inventive step when the document is combined with one or more other such documents, such combination being obvious to a person skilled in the art
"L" document which may throw doubts on priority claim(s) or which is cited to establish the publication date of another citation or other special reason (as specified)	"&"	document member of the same patent family
"O" document referring to an oral disclosure, use, exhibition or other means		
"P" document published prior to the international filing date but later than the priority date claimed		

Date of the actual completion of the international search

12 July 2004 (12.07.2004)

Date of mailing of the international search report

11 AUG 2004

Name and mailing address of the ISA/US
 Mail Stop PCT, Attn: ISA/US
 Commissioner for Patents
 P.O. Box 1450
 Alexandria, Virginia 22313-1450
 Facsimile No. (703) 305-3230

Authorized officer

Terrence R. Till
 Telephone No. 571-272-1700

Jean Proctor
 Paralegal

INTERNATIONAL SEARCH REPORT

C. (Continuation) DOCUMENTS CONSIDERED TO BE RELEVANT

Category *	Citation of document, with indication, where appropriate, of the relevant passages	Relevant to claim No.
A	US 2003/0196293 A (RUFF) 23 October 2003 (23.10.2003), see entire document.	1-35