



US00D772009S

(12) **United States Design Patent** (10) **Patent No.:** **US D772,009 S**  
**McConnell et al.** (45) **Date of Patent:** **\*\* Nov. 22, 2016**

(54) **BLENDER**

(71) Applicant: **Whirlpool Corporation**, Benton Harbor, MI (US)

(72) Inventors: **John W. McConnell**, St. Joseph, MI (US); **Brandon T. Mock**, St. Joseph, MI (US); **ZhaoYi Yin**, Benton Harbor, MI (US)

(73) Assignee: **Whirlpool Corporation**, Benton Harbor, MI (US)

(\*\*) Term: **14 Years**

(21) Appl. No.: **29/519,329**

(22) Filed: **Mar. 4, 2015**

(51) **LOC (10) Cl.** ..... **31-00**

(52) **U.S. Cl.**  
USPC ..... **D7/412; D7/376; D7/378; D7/386; D7/413**

(58) **Field of Classification Search**

USPC ..... D7/372, 376-386, 412-413, 602, 629, D7/665-666, 669, 679, 693-694  
CPC ..... A21C 1/02; A21C 1/04; A23N 1/00; A23N 1/02; A47J 43/04; A47J 43/25; A47J 43/27; A47J 43/042; A47J 43/044; A47J 43/046; A47J 43/075; A47J 43/0722; A47J 43/0727; B01F 3/00; B01F 3/0807; B01F 3/0853; B01F 13/0059; B01F 13/0064; B02C 1/08; B02C 2/04; B02C 4/42; B02C 4/142; B02C 4/143; B02C 4/423; B02C 13/1835; B28C 5/10; B28C 5/12; B28C 5/14; B28C 5/16

See application file for complete search history.

(56) **References Cited**

U.S. PATENT DOCUMENTS

2,304,476 A 12/1942 Poplawski  
D176,257 S \* 12/1955 Hill ..... D7/378

D181,541 S \* 11/1957 Madl ..... D7/378  
D187,684 S \* 4/1960 Hauser ..... D7/378  
D200,494 S \* 3/1965 Bezark ..... D7/378  
5,323,973 A 6/1994 Ferrara, Jr.  
5,655,834 A 8/1997 Dickson  
5,957,577 A 9/1999 Dickson et al.  
D424,865 S 5/2000 Crescenzi et al.  
D484,357 S \* 12/2003 Seum ..... D7/378  
7,520,663 B1 4/2009 Kolar et al.  
D594,697 S \* 6/2009 Lavy ..... D7/386  
D595,087 S 6/2009 Metaxatos et al.

(Continued)

FOREIGN PATENT DOCUMENTS

WO 2005051149 6/2005

Primary Examiner — Ricky Pham

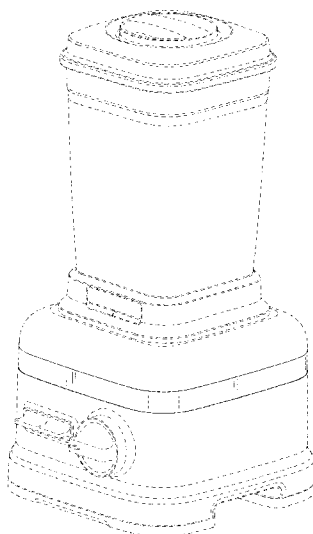
(57) **CLAIM**

We claim the ornamental design for a blender, as shown and described.

**DESCRIPTION**

FIG. 1 is a front perspective view of the blender of the present invention;  
FIG. 2 is a rear perspective view of the blender of FIG. 1;  
FIG. 3 is a front elevation view of the blender of FIG. 1;  
FIG. 4 is a rear elevation view of the blender of FIG. 1;  
FIG. 5 is a first-side elevation view of the blender of FIG. 1;  
FIG. 6 is a second-side elevation view of the blender of FIG. 1;  
FIG. 7 is a top plan view of the blender of FIG. 1; and,  
FIG. 8 is a bottom plan view of the blender of FIG. 1.  
The broken lines shown in the drawings are for illustrative purposes only and form no part of the claimed design.

**1 Claim, 7 Drawing Sheets**



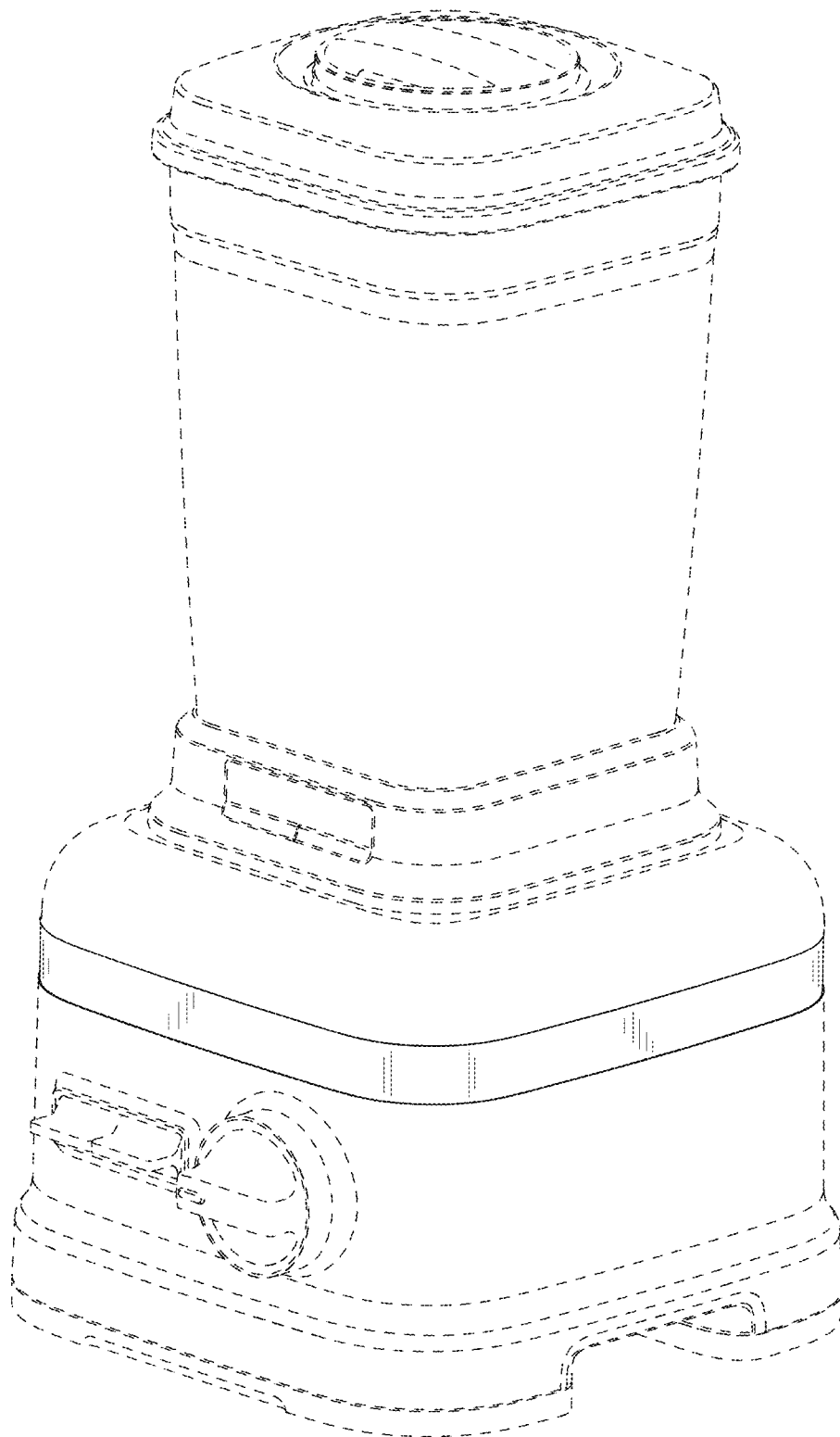
(56)

**References Cited**

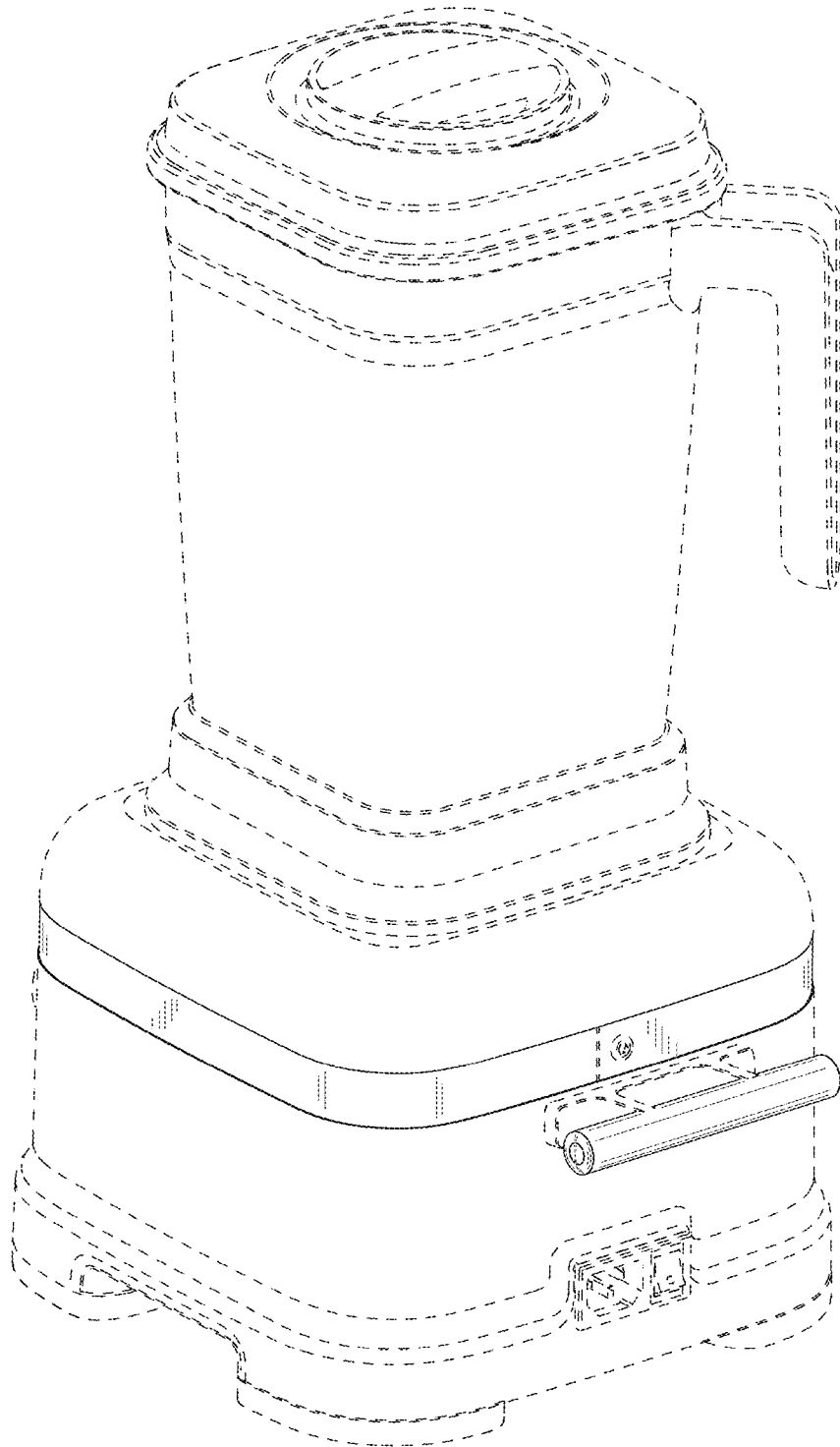
U.S. PATENT DOCUMENTS

D616,244	S *	5/2010	Thai	.....	D7/378	8,287,180	B2	10/2012	Kolar et al.	
7,712,951	B2	5/2010	Bohannon, Jr. et al.			8,360,480	B2	1/2013	Athey et al.	
D631,282	S *	1/2011	Ferraby	.....	D7/384	D711,682	S *	8/2014	Norland	..... D7/376
7,871,195	B2	1/2011	Larsen et al.			D731,234	S *	6/2015	Weaden	..... D7/376
D642,858	S *	8/2011	Lazzer	.....	D7/376	D747,135	S *	1/2016	Ha	..... D7/376
8,087,603	B2	1/2012	Kolar et al.			D755,004	S *	5/2016	Bock	..... D7/376
						2005/0152215	A1	7/2005	Stuart et al.	
						2008/0089170	A1	4/2008	Larsen et al.	
						2009/0260523	A1	10/2009	Peng	

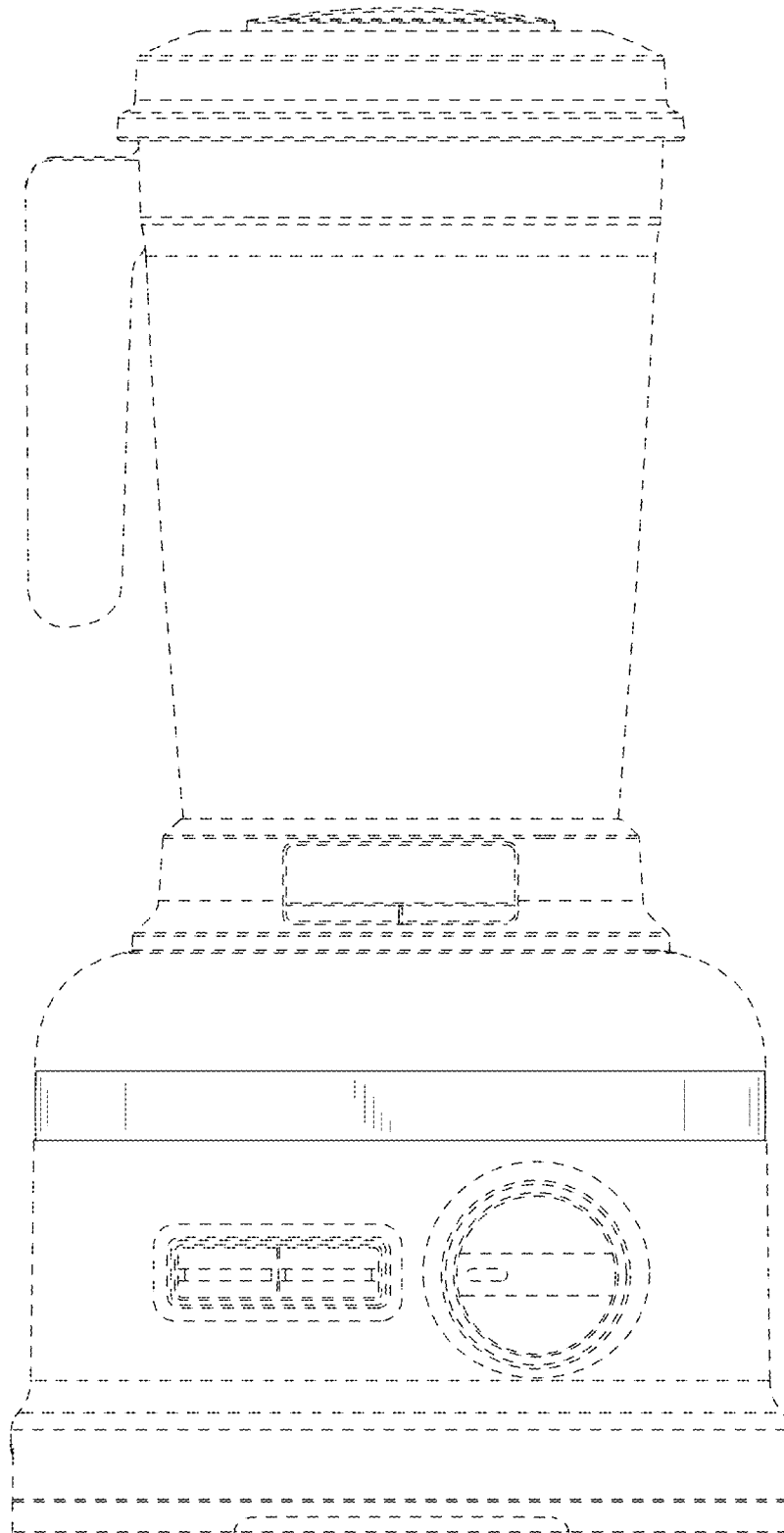
\* cited by examiner



**FIG. 1**



**FIG. 2**



**FIG. 3**

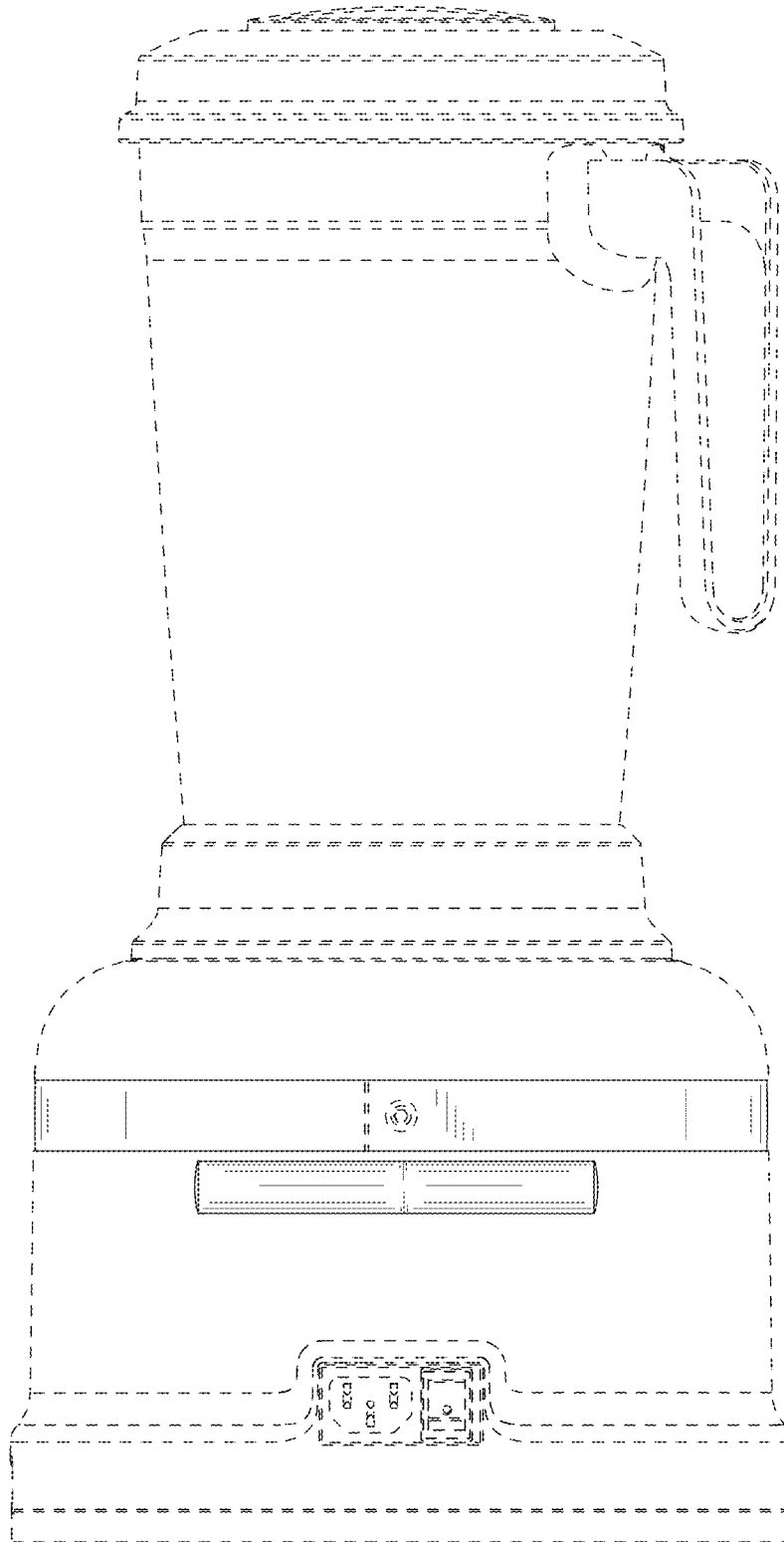


FIG. 4

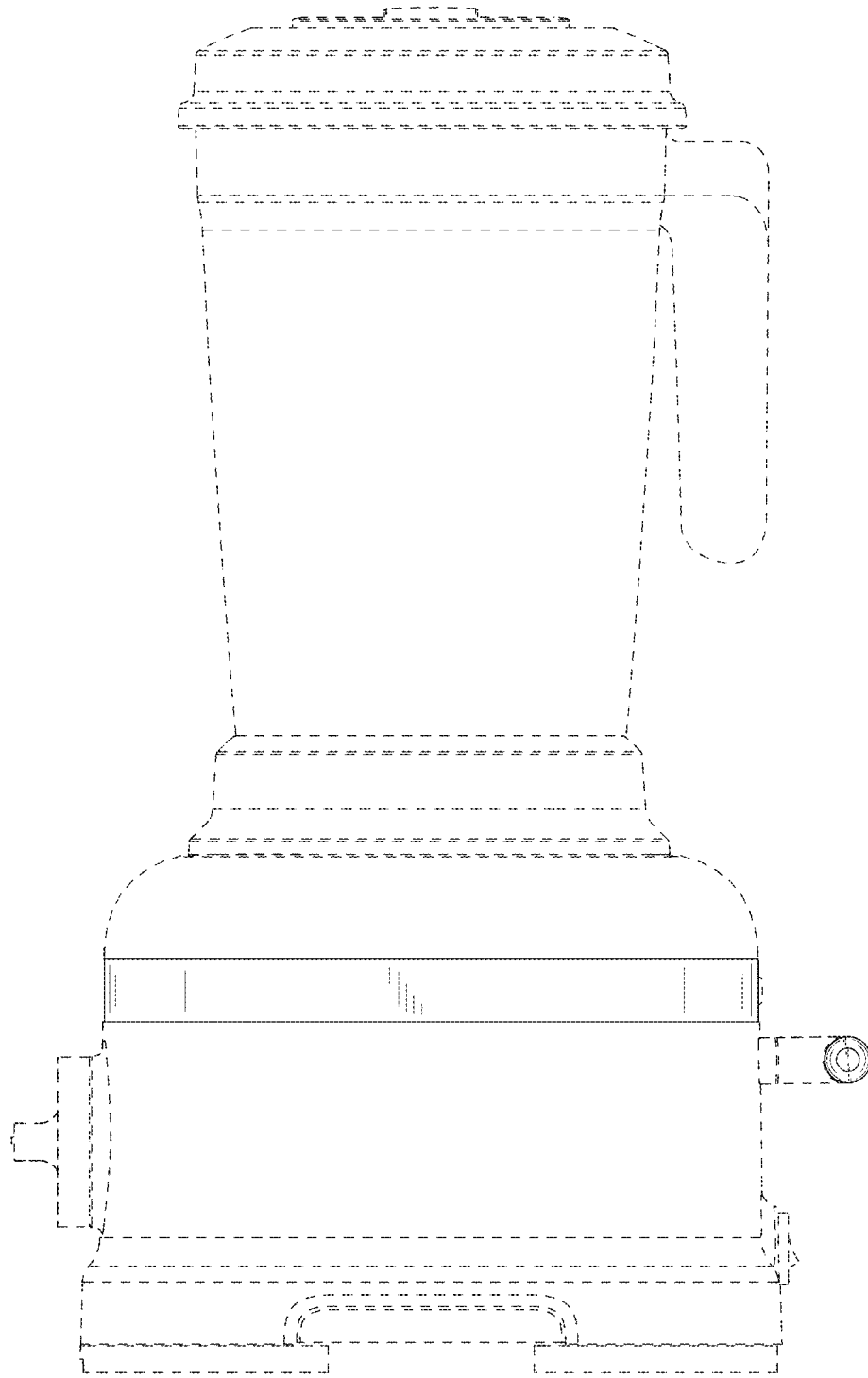


FIG. 5

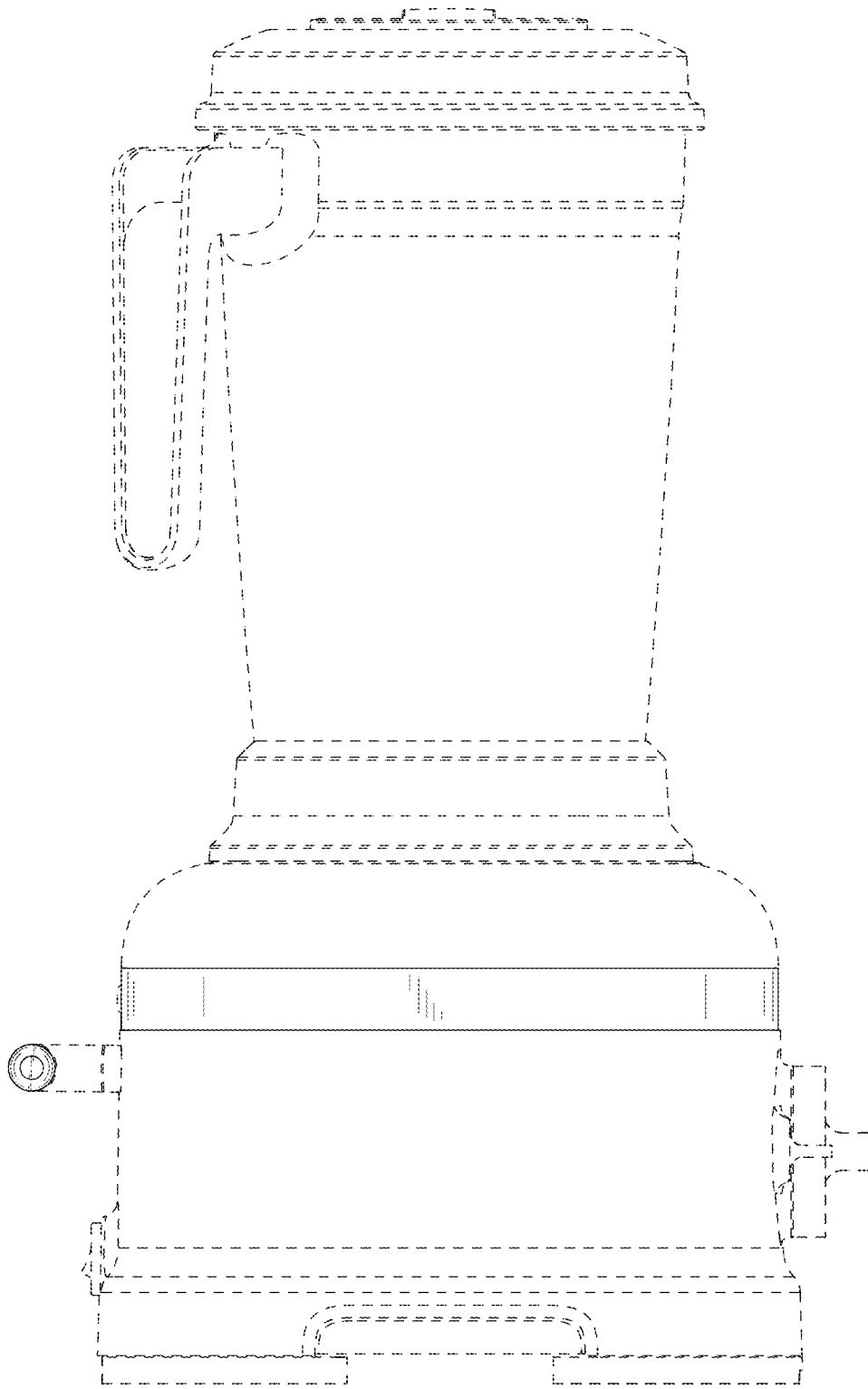
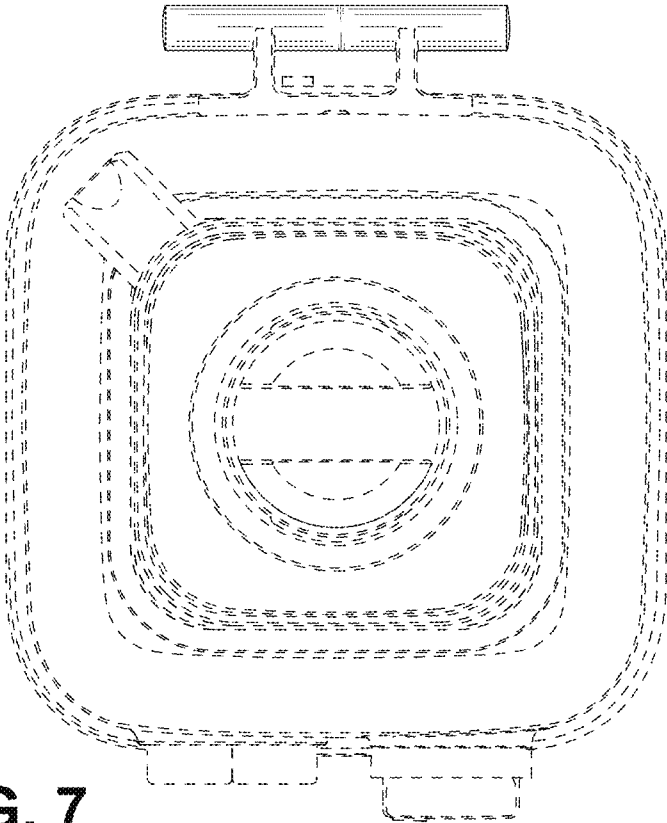
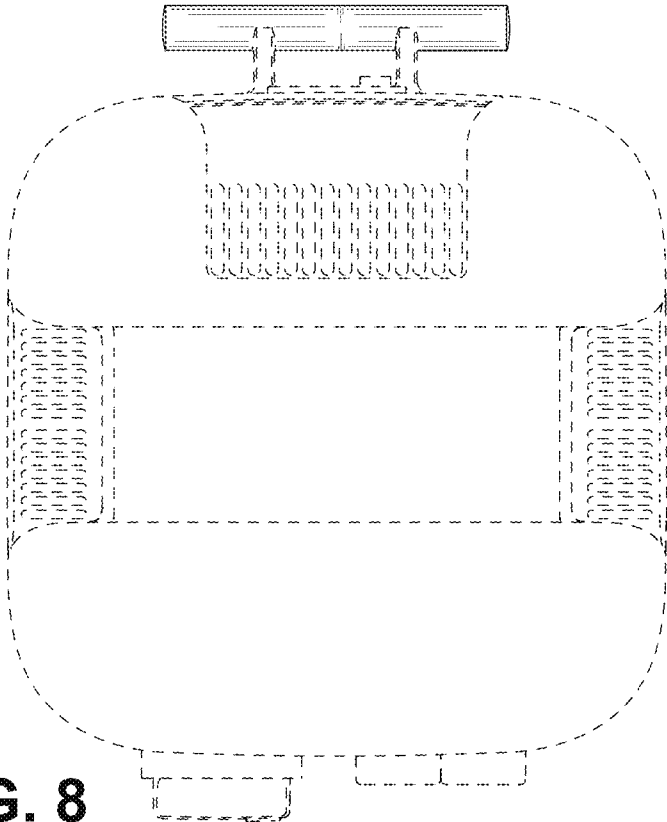


FIG. 6





**FIG. 7**



**FIG. 8**