



US00D431513S

United States Patent [19]
Lovitt, Jr.

[11] **Patent Number: Des. 431,513**
[45] **Date of Patent: ** Oct. 3, 2000**

[54] **WHEEL ADAPTER**
[75] Inventor: **Estel L. Lovitt, Jr.**, Sylvania, Ohio
[73] Assignee: **Mitchell Equipment, Inc.**, Monclova, Ohio
[**] Term: **14 Years**
[21] Appl. No.: **29/097,471**
[22] Filed: **Dec. 7, 1998**
[51] **LOC (7) Cl.** **12-16**
[52] **U.S. Cl.** **D12/207**
[58] **Field of Search** D12/400, 204,
D12/213; 301/111, 35.62, 36.1, 35.54, 35.58

4,036,530	7/1977	Reppert	301/36.1
4,135,765	1/1979	Hardwicke	301/36.1
4,165,904	8/1979	Reppert	301/111
4,396,232	8/1983	Fox	301/36.1
4,585,276	4/1986	Tirheimer	301/36.1
4,944,562	7/1990	Garrison	301/111
5,785,391	7/1998	Parry et al. .	

Primary Examiner—Stacia Cadmus
Attorney, Agent, or Firm—Donald R. Fraser

[57] **CLAIM**

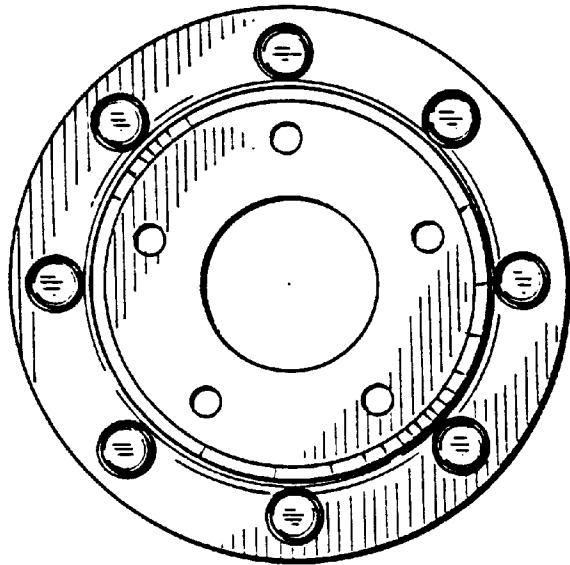
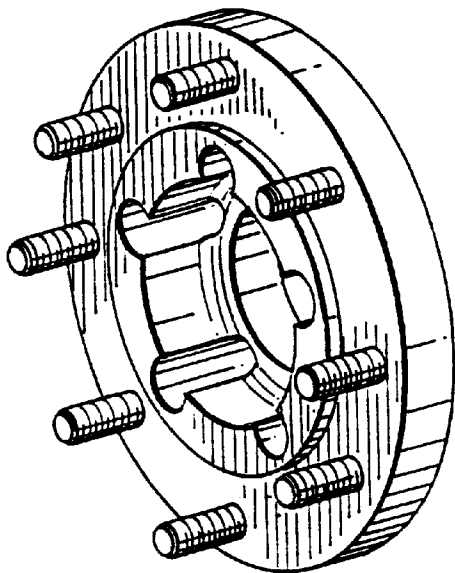
The ornamental design for a wheel adapter, as shown and described.

DESCRIPTION

FIG. 1 is a left hand perspective view of a wheel adapter incorporating the invention;
FIG. 2 is a rear elevational view thereof;
FIG. 3 is a front elevational view thereof; and,
FIG. 4 is a left side elevational view thereof.

[56] **References Cited**
U.S. PATENT DOCUMENTS
3,494,669 2/1970 Reppert 301/111
3,820,851 6/1974 Longo et al. 301/36.1
3,834,766 9/1974 Thousand 301/111

1 Claim, 1 Drawing Sheet



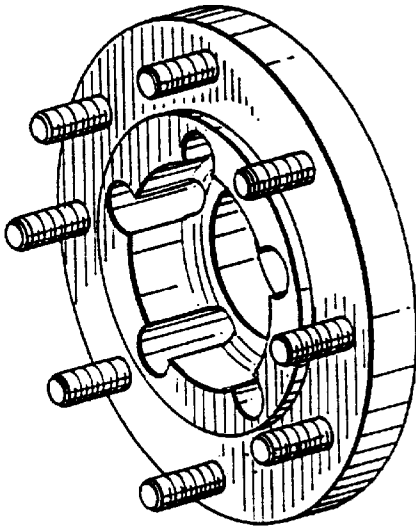


FIG. 1

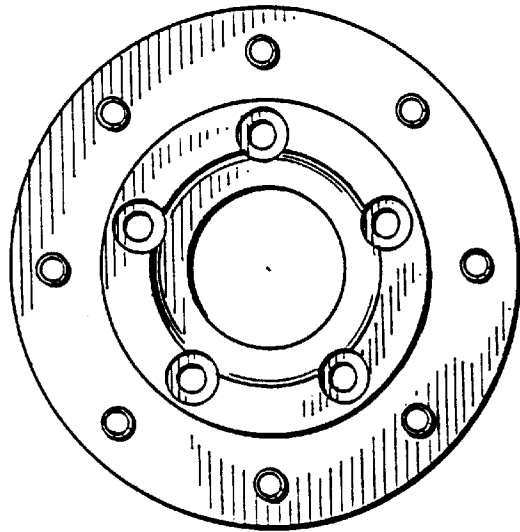


FIG. 2

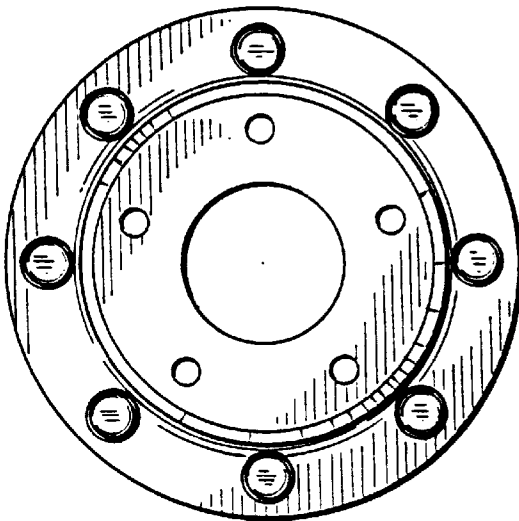


FIG. 3

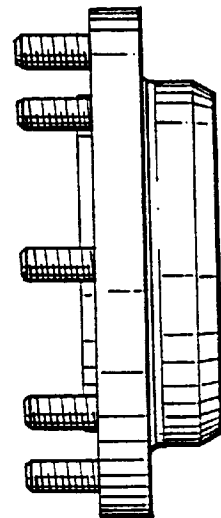


FIG. 4