



US00D976409S

(12) **United States Design Patent**
Formica et al.

(10) **Patent No.:** **US D976,409 S**

(45) **Date of Patent:** **** Jan. 24, 2023**

(54) **PRESSURIZED AIR DELIVERY CONSOLE**

(71) Applicant: **ResMed Pty Ltd**, Bella Vista (AU)

(72) Inventors: **Justin John Formica**, Sydney (AU);
Joseph Samuel Ormrod, Sydney (AU);
Mark Simpson, Sydney (AU); **Jamie Graeme Wehbeh**, Sydney (AU)

(73) Assignee: **ResMed Pty Ltd**, Bella Vista (AU)

(**) Term: **15 Years**

(21) Appl. No.: **29/679,447**

(22) Filed: **Feb. 6, 2019**

Related U.S. Application Data

(62) Division of application No. 29/549,630, filed on Dec. 28, 2015, now Pat. No. Des. 844,787.

(51) **LOC (14) Cl.** **24-02**

(52) **U.S. Cl.**
USPC **D24/162**

(58) **Field of Classification Search**
USPC D24/164, 108, 110.5, 110, 111; D10/96;
D23/356, 360; 122/4 R; 600/538
CPC A61M 16/0051; A61M 16/208; A61M
16/0875; A61M 16/0069; A61M 16/065;
A61M 16/16; A61M 15/009; A61M
16/00; A63B 23/18; F04D 29/403; F04D
29/665; G10K 11/04; A61B 5/682
See application file for complete search history.

(56) **References Cited**

U.S. PATENT DOCUMENTS

4,576,157 A * 3/1986 Raghuprasad A61M 15/009
128/200.23
D421,298 S * 2/2000 Kenyon D24/110
D427,675 S * 7/2000 Hansel
D467,335 S * 12/2002 Lithgow D24/110

D468,011 S * 12/2002 Lithgow D24/110
D470,929 S * 2/2003 Kawamura D23/293.1
D476,077 S * 6/2003 Lithgow
D477,868 S * 7/2003 Lithgow
D487,311 S * 3/2004 Lithgow D24/110
D493,520 S * 7/2004 Bertinetti D24/110
D493,884 S * 8/2004 Virr D24/110
D497,203 S * 10/2004 Lithgow D24/110
D498,527 S * 11/2004 Virr
D498,528 S * 11/2004 Van Brunt
D504,945 S * 5/2005 Van Brunt
D528,212 S * 9/2006 Conway D24/164
D544,591 S * 6/2007 Snow
D544,598 S * 6/2007 Lithgow

(Continued)

OTHER PUBLICATIONS

Somnetics International, Inc., Transcend ©, Transcend © Quick Guide, 2014, 10 pages.

(Continued)

Primary Examiner — Rhea Shields

(74) *Attorney, Agent, or Firm* — Nixon & Vanderhye P.C.

(57) **CLAIM**

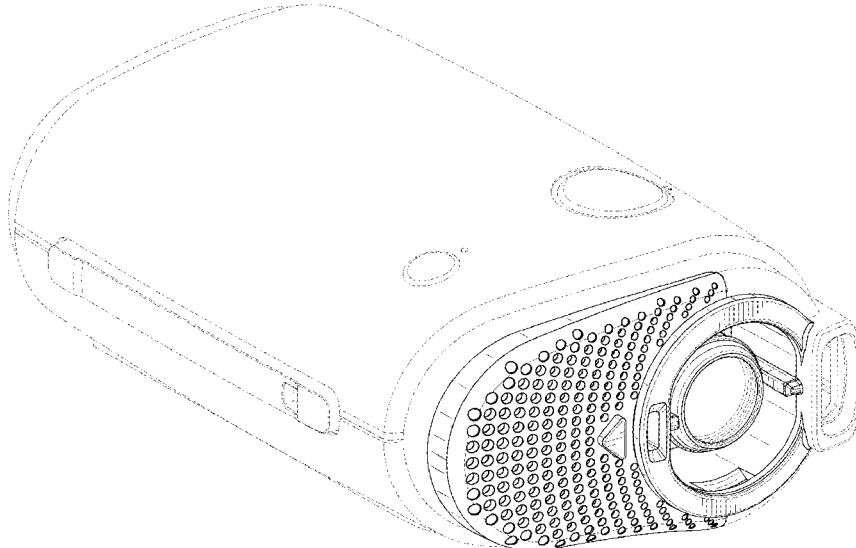
The ornamental design for a pressurized air delivery console, as shown and described.

DESCRIPTION

FIG. 1 is a front perspective view of a pressurized air delivery console according to our new ornamental design; FIG. 2 is a front view thereof; FIG. 3 is a top view thereof; FIG. 4 is a bottom view thereof; FIG. 5 is a right side view thereof; FIG. 6 is a left side view thereof; and, FIG. 7 is another front perspective view thereof.

The broken lines represent environmental structure or unclaimed portions of the pressurized air delivery console and do not form a portion of the claimed design.

1 Claim, 7 Drawing Sheets



(56)

References Cited

U.S. PATENT DOCUMENTS

- D545,954 S 7/2007 Snow
D549,321 S * 8/2007 Snow D24/110
D549,341 S * 8/2007 Ross D24/164
D550,349 S 9/2007 Lithgow
D560,795 S * 1/2008 Lithgow D24/110
D570,473 S * 6/2008 Hamaguchi D24/110
D585,540 S * 1/2009 Lithgow D24/110
7,503,327 B2 * 3/2009 Gunaratnam A61M 16/065
128/206.24
D604,830 S 11/2009 Lithgow
D627,044 S * 11/2010 Virr D23/356
8,006,691 B2 * 8/2011 Kenyon A61M 16/024
128/200.24
D658,283 S * 4/2012 Burz D24/110
D659,235 S * 5/2012 Bertinetti D24/110
D675,730 S * 2/2013 Lithgow D24/110
8,453,640 B2 * 6/2013 Martin A61M 16/16
128/203.17
D695,388 S * 12/2013 Lithgow D24/110
D708,316 S * 7/2014 Bertinetti D24/110
D710,989 S 8/2014 Bertinetti
D725,768 S * 3/2015 Eustis 24/108
D729,936 S * 5/2015 Reback D24/164
D729,937 S * 5/2015 Acker D24/164
D731,050 S * 6/2015 Meyer A63B 23/18
D24/110.5
D738,489 S * 9/2015 Formica D24/110
D740,929 S 10/2015 Pipe et al.
D743,556 S * 11/2015 Bath D24/164
D744,108 S * 11/2015 Verma D24/164
D745,137 S * 12/2015 Pipe D24/108
D752,203 S * 3/2016 Sung D24/108
D754,327 S * 4/2016 Row A61M 16/0875
D24/110
D759,804 S * 6/2016 Singh D24/108
9,375,543 B2 6/2016 Librett et al.
D771,799 S * 11/2016 Formica D24/110
D774,180 S * 12/2016 Wu D24/110
D775,346 S * 12/2016 Bath D24/164
D776,256 S * 1/2017 Formica D24/110
D776,802 S * 1/2017 Loew D24/108
D790,683 S * 6/2017 Formica D24/108
D798,428 S * 9/2017 Cork D23/360
D801,521 S * 10/2017 Hyde D24/111
D804,341 S * 12/2017 Rowland D10/96
D806,859 S * 1/2018 Formica D24/110
D837,968 S * 1/2019 Formica D24/108
D844,787 S * 4/2019 Formica D24/164
D861,854 S * 10/2019 Ormrod D24/110
10,660,563 B2 * 5/2020 McDarby A61M 16/0069
D895,102 S * 9/2020 Dantanarayana D24/110.1
2007/0193582 A1 * 8/2007 Kwok A61M 16/00
128/204.18
2008/0072900 A1 3/2008 Kenyon
2010/0229867 A1 * 9/2010 Bertinetti A61M 16/16
128/205.25
2011/0017212 A1 1/2011 Kenyon
2011/0155132 A1 6/2011 Virr
2012/0029376 A1 * 2/2012 Meng A61B 5/682
600/538
2014/0131904 A1 5/2014 Tang
2014/0299130 A1 * 10/2014 Librett G10K 11/04
128/204.18
2014/0299132 A1 * 10/2014 Librett A61M 16/0875
128/205.25
2014/0299406 A1 * 10/2014 Librett F04D 29/665
181/224
2015/0023782 A1 * 1/2015 Velzy F04D 29/403
415/119
2015/0231358 A1 8/2015 Smith
2017/0348498 A1 12/2017 Salter
2018/0043125 A1 2/2018 Bencke
2018/0071471 A1 3/2018 Kirolos
2018/0078730 A1 3/2018 Bath

OTHER PUBLICATIONS

Human Design Medical, LLC, Z1™ Getting Started Guide, 2013, 2 pages.
Formica et al., Design U.S. Appl. No. 29/557,711, filed Mar. 11, 2016, entitled "Air Delivery Module and/or Components Thereof".
Formica et al., Design U.S. Appl. No. 29/549,630, filed Dec. 28, 2015, entitled "Pressurized Air Delivery Console," (parent application).

* cited by examiner

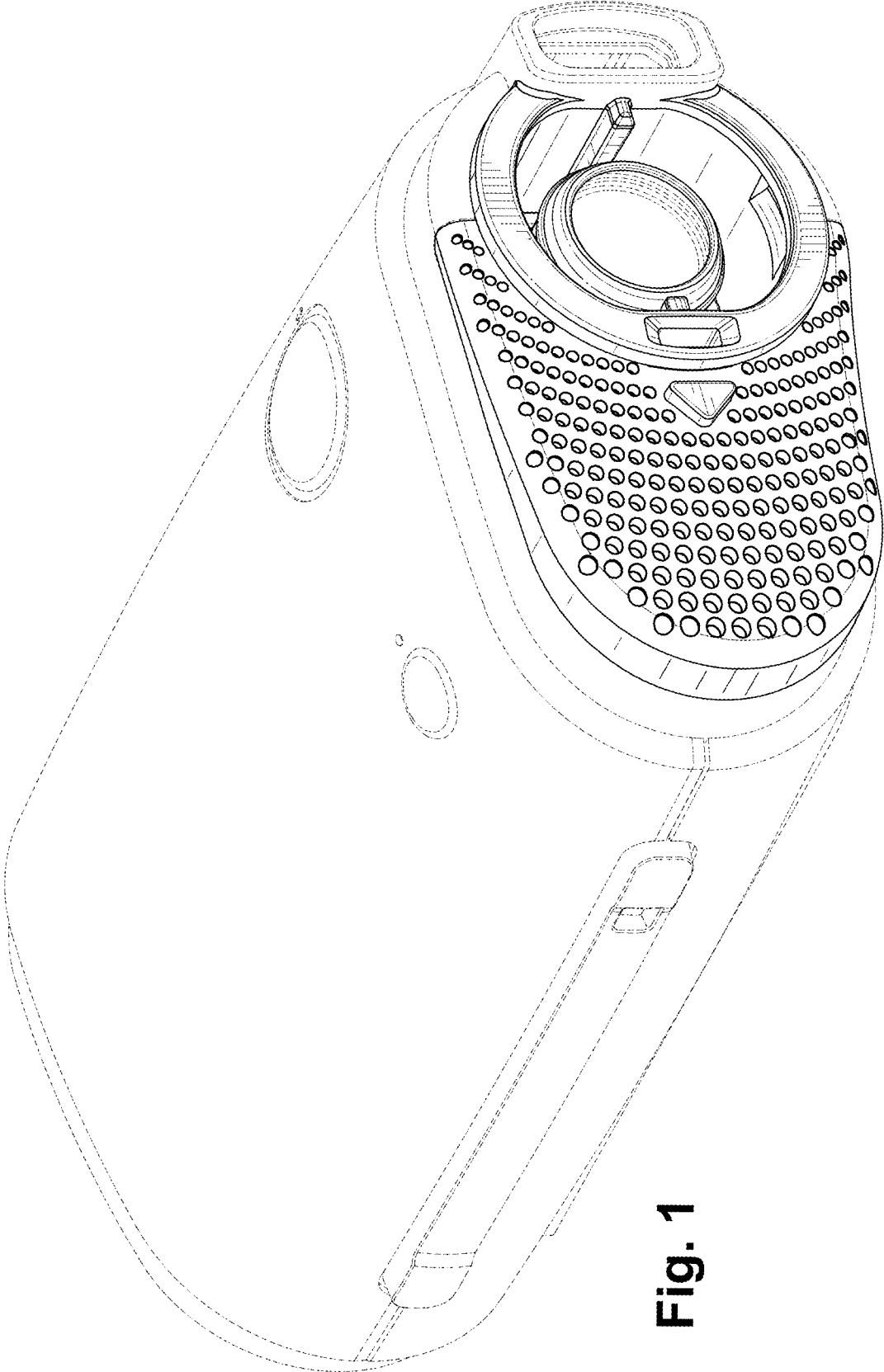


Fig. 1

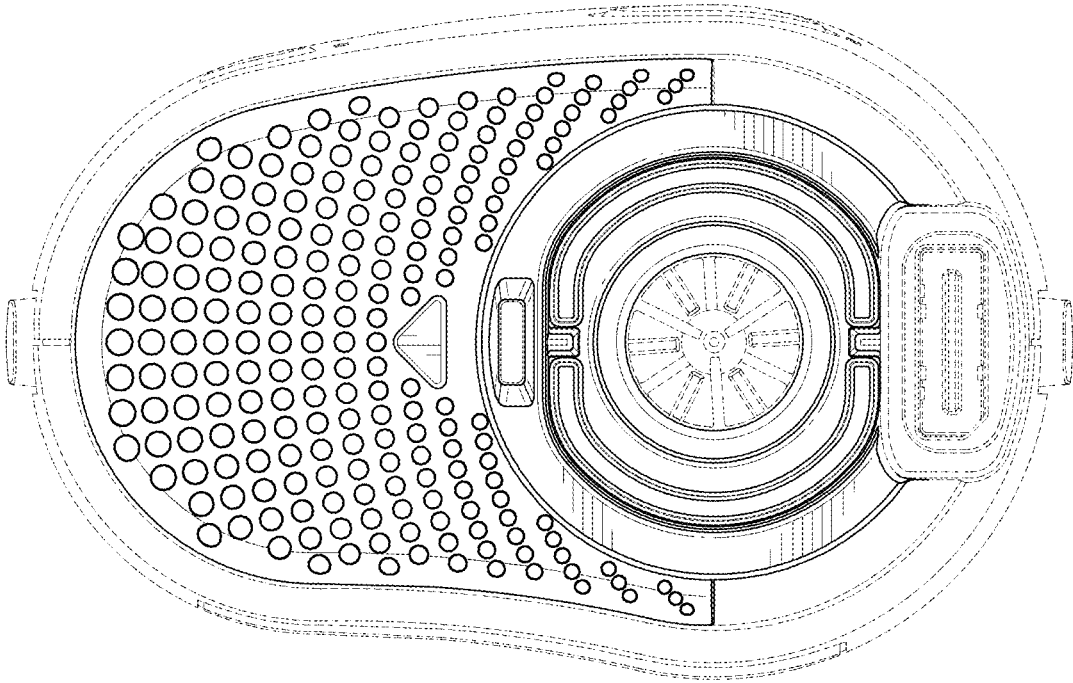


Fig. 2

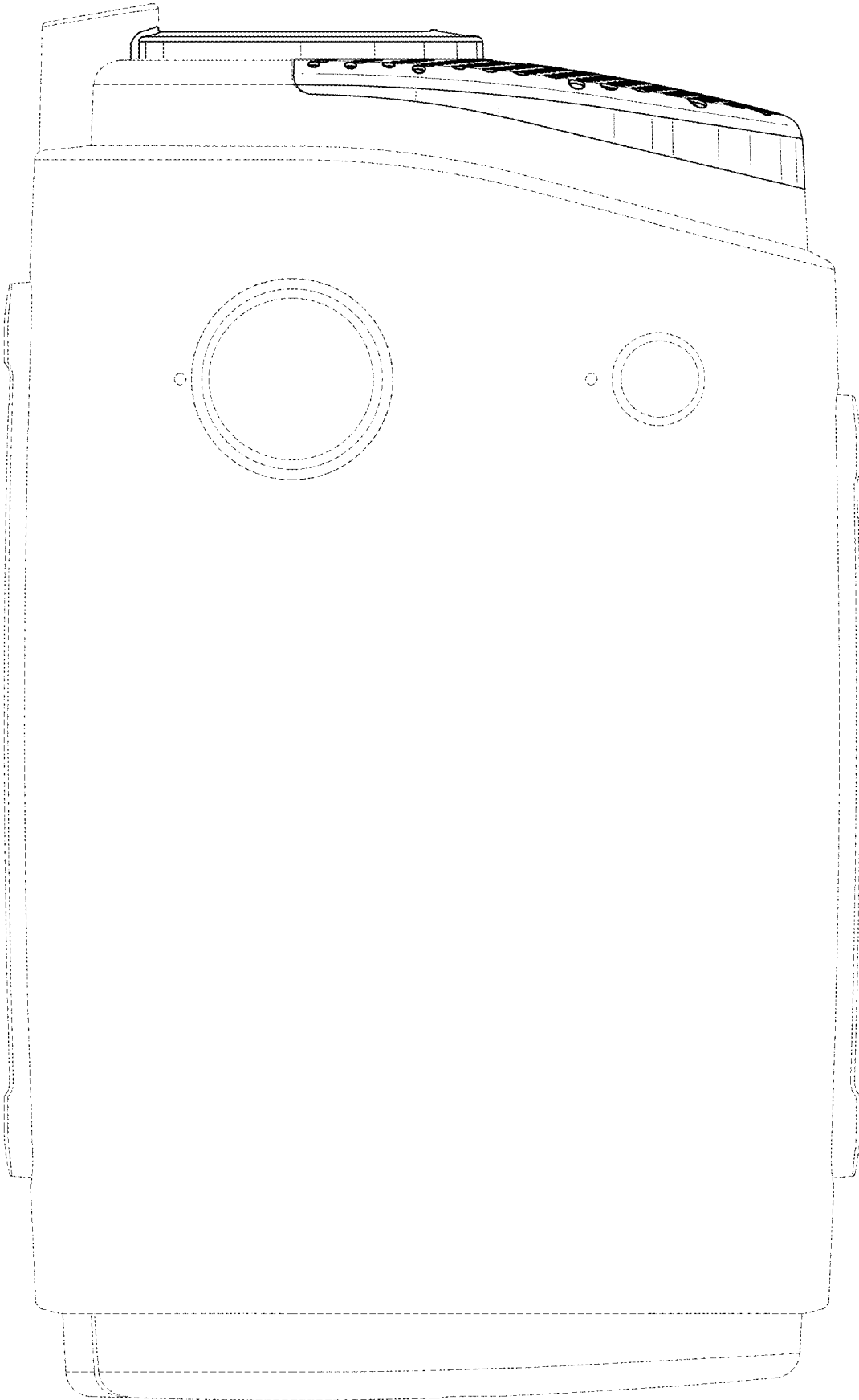


Fig. 3

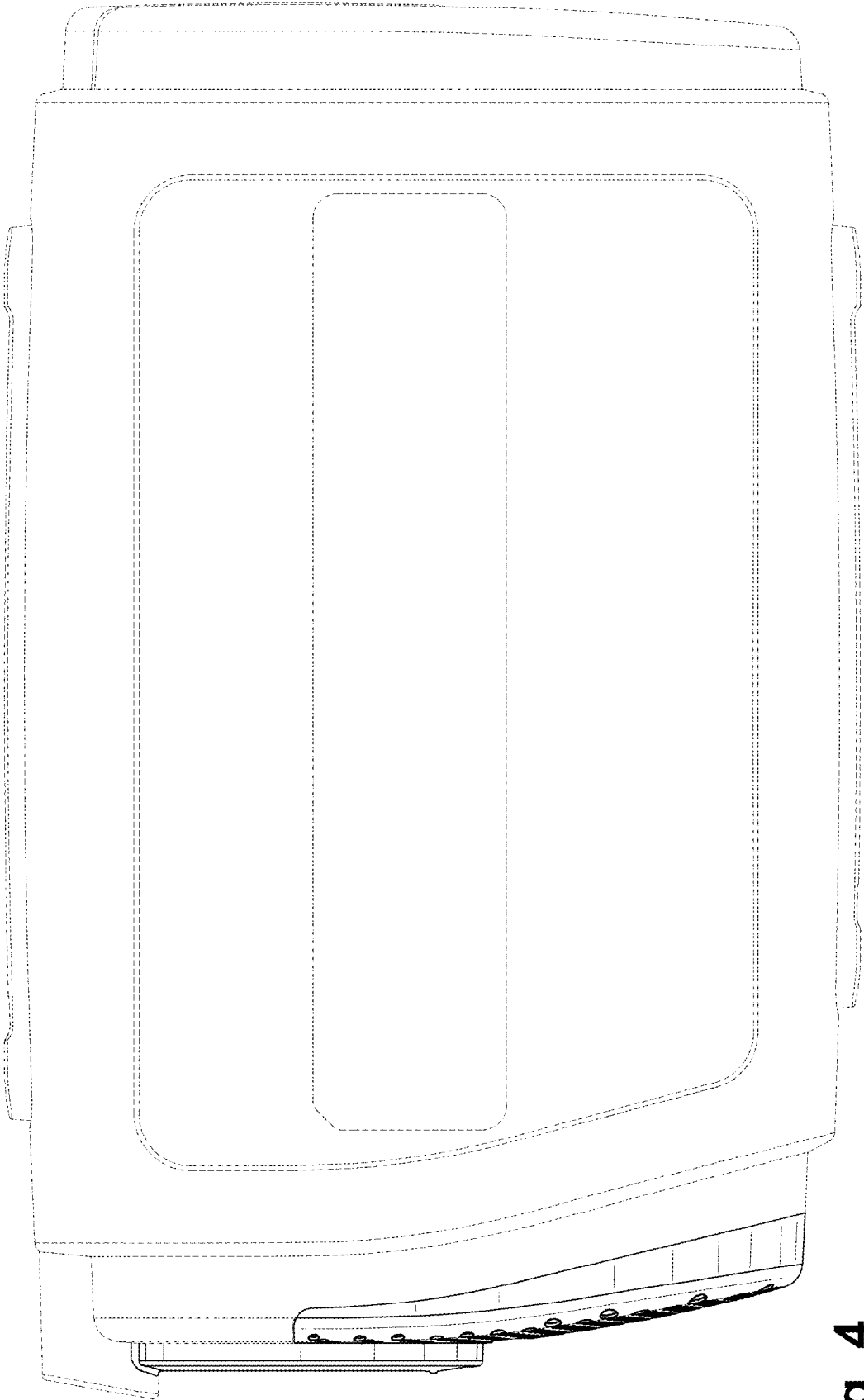


Fig. 4

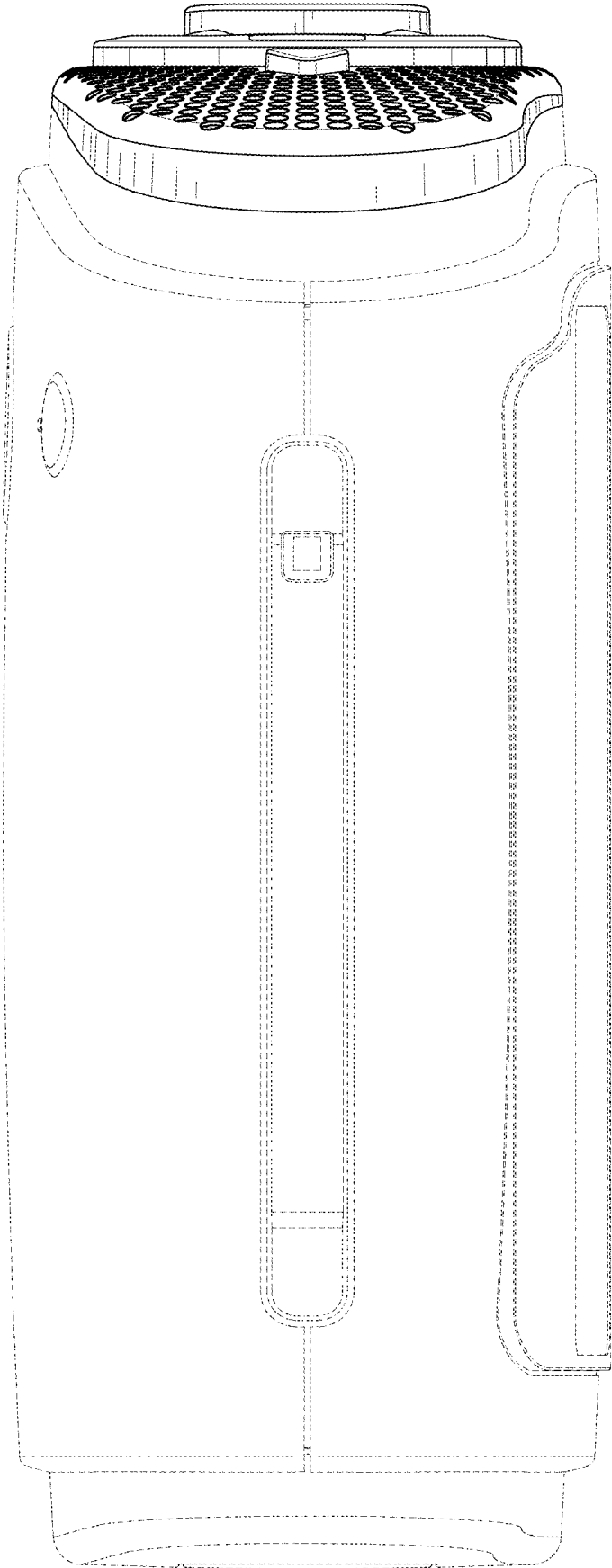


Fig. 5

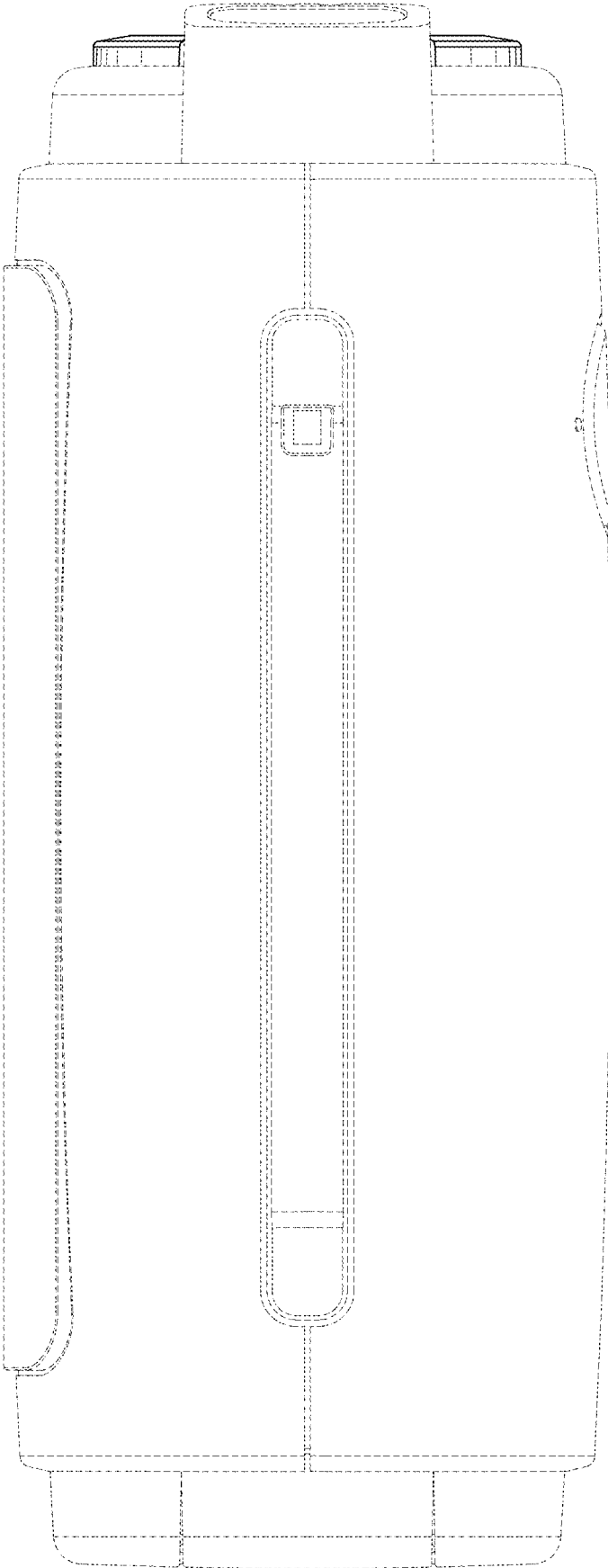


Fig. 6

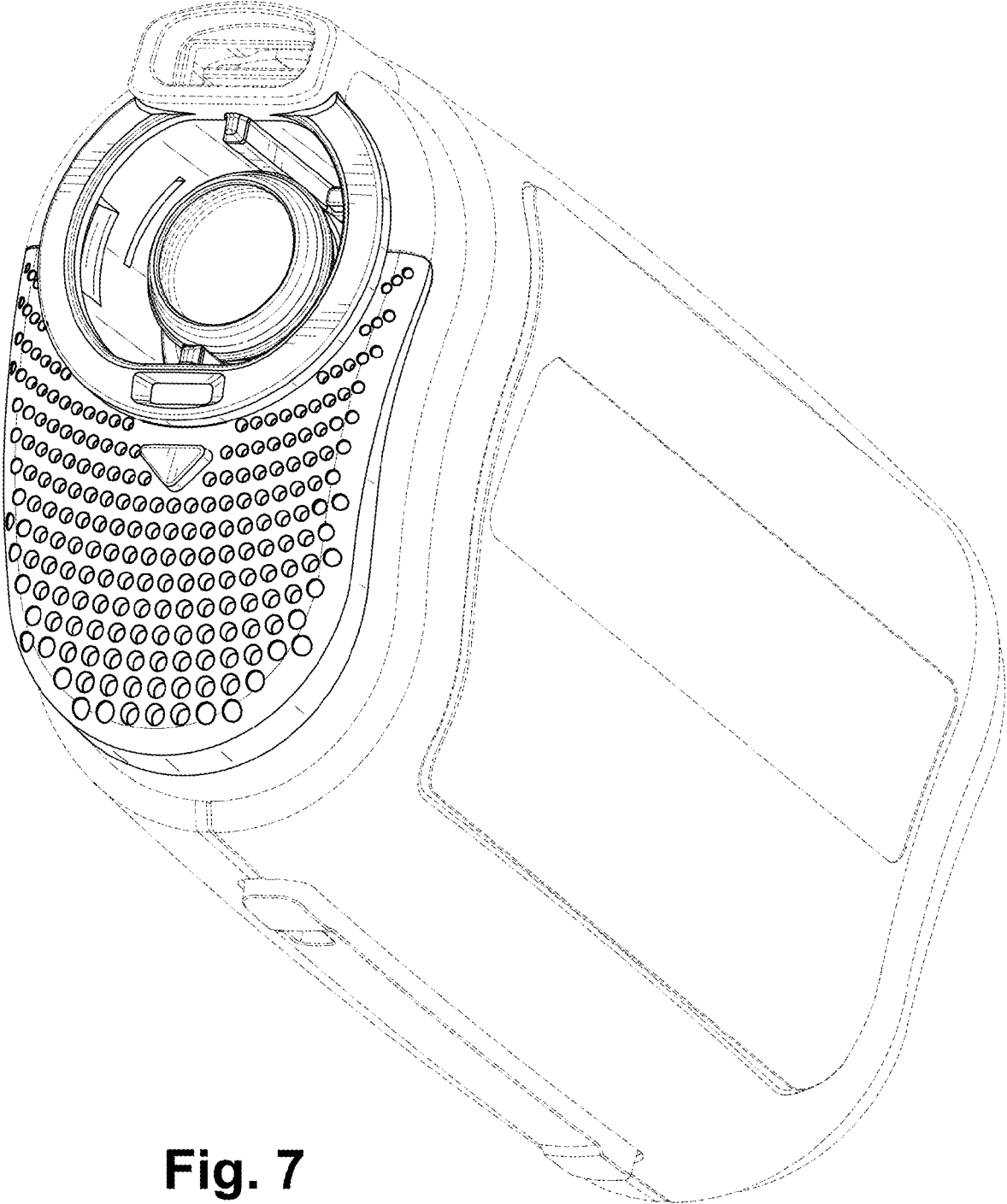


Fig. 7