



US00D998849S

(12) **United States Design Patent**
Oláh

(10) **Patent No.:** **US D998,849 S**

(45) **Date of Patent:** **** Sep. 12, 2023**

(54) **PUBLIC LIGHTING FIXTURE**

F21V 14/02; F21V 21/04; F21V 21/14;
F21V 21/30; F21V 15/01

See application file for complete search history.

(71) Applicant: **SCHREDER**, Brussels (BE)

(72) Inventor: **Gyula Oláh**, Budapest (HU)

(**) Term: **15 Years**

(21) Appl. No.: **35/512,888**

(22) Filed: **Mar. 25, 2021**

(80) **Hague Agreement Data**

Int. Filing Date: **Mar. 25, 2021**

Int. Reg. No.: **DM/213540**

Int. Reg. Date: **Mar. 25, 2021**

Int. Reg. Pub. Date: **Nov. 12, 2021**

(30) **Foreign Application Priority Data**

Sep. 28, 2020 (EM) 008189419

(51) **LOC (14) Cl.** **26-05**

(52) **U.S. Cl.**
USPC **D26/63**

(58) **Field of Classification Search**
USPC D26/24, 61, 63, 65, 72, 76, 85, 88, 90,
D26/113, 118, 119
CPC F21S 8/00; F21S 8/03; F21S 8/06; F21S
8/04; F21S 8/003; F21S 8/026; F21S
8/033; F21S 8/036; F21S 8/043; F21S
8/046; F21S 8/061; F21S 8/063; F21S
8/068; F21W 2131/10; F21W 2131/101;
F21W 2131/103; F21W 2131/105; F21W
2131/107; F21W 2131/1005; F21W
2131/406; F21W 2131/407; F21V 14/00;

(56)

References Cited

U.S. PATENT DOCUMENTS

5,800,048	A *	9/1998	Gordin	F21V 7/0016 362/346
D591,883	S *	5/2009	Gill	D26/63
7,588,355	B1 *	9/2009	Liu	F21V 15/01 362/240
D800,952	S *	10/2017	Shudong	D26/93
D805,231	S *	12/2017	Negrone	D26/63
D858,840	S *	9/2019	Deng	D26/63
D877,951	S *	3/2020	Huang	D26/63
D877,952	S *	3/2020	Gordin	D26/63
D916,344	S *	4/2021	Wu	D26/63
D935,089	S *	11/2021	Scarлата	D26/118
D949,450	S *	4/2022	Zhang	D26/63
D950,820	S *	5/2022	Zheng	D26/63
D970,769	S *	11/2022	Wu	D26/63
D970,770	S *	11/2022	Wang	D26/65
D975,334	S *	1/2023	Qiu	D26/63
11,566,773	B2 *	1/2023	Huo	F21V 5/04
D984,011	S *	4/2023	Yan	D10/106.8

(Continued)

OTHER PUBLICATIONS

Ecoblast; retrieved from www.schreder.com at https://www.schreder.com/en/products/ecoblast-sports-led-floodlight; retrieved on Dec. 16, 2022; product sheet date Aug. 2021 (Year: 2021).*

Primary Examiner — Clint A Samuel

(57)

CLAIM

The ornamental design for public lighting fixture, as shown and described.

DESCRIPTION

FIG. 1.1 is a perspective view of a public lighting fixture showing our new design;
FIG. 1.2 is a first back view thereof;
FIG. 1.3 is a bottom view thereof;
FIG. 1.4 is a left view thereof;

(Continued)

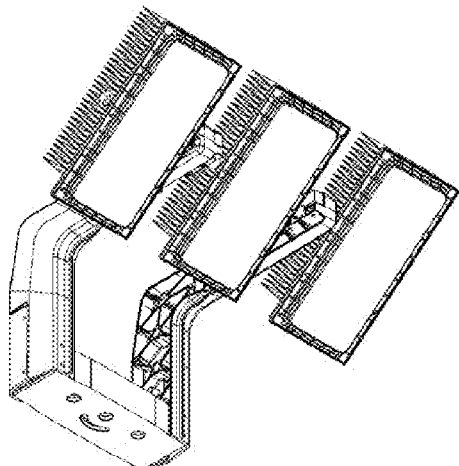


FIG. 1.5 is a front view thereof;
FIG. 1.6 is a second back view thereof;
FIG. 1.7 is a top view thereof.

1 Claim, 7 Drawing Sheets

(56)

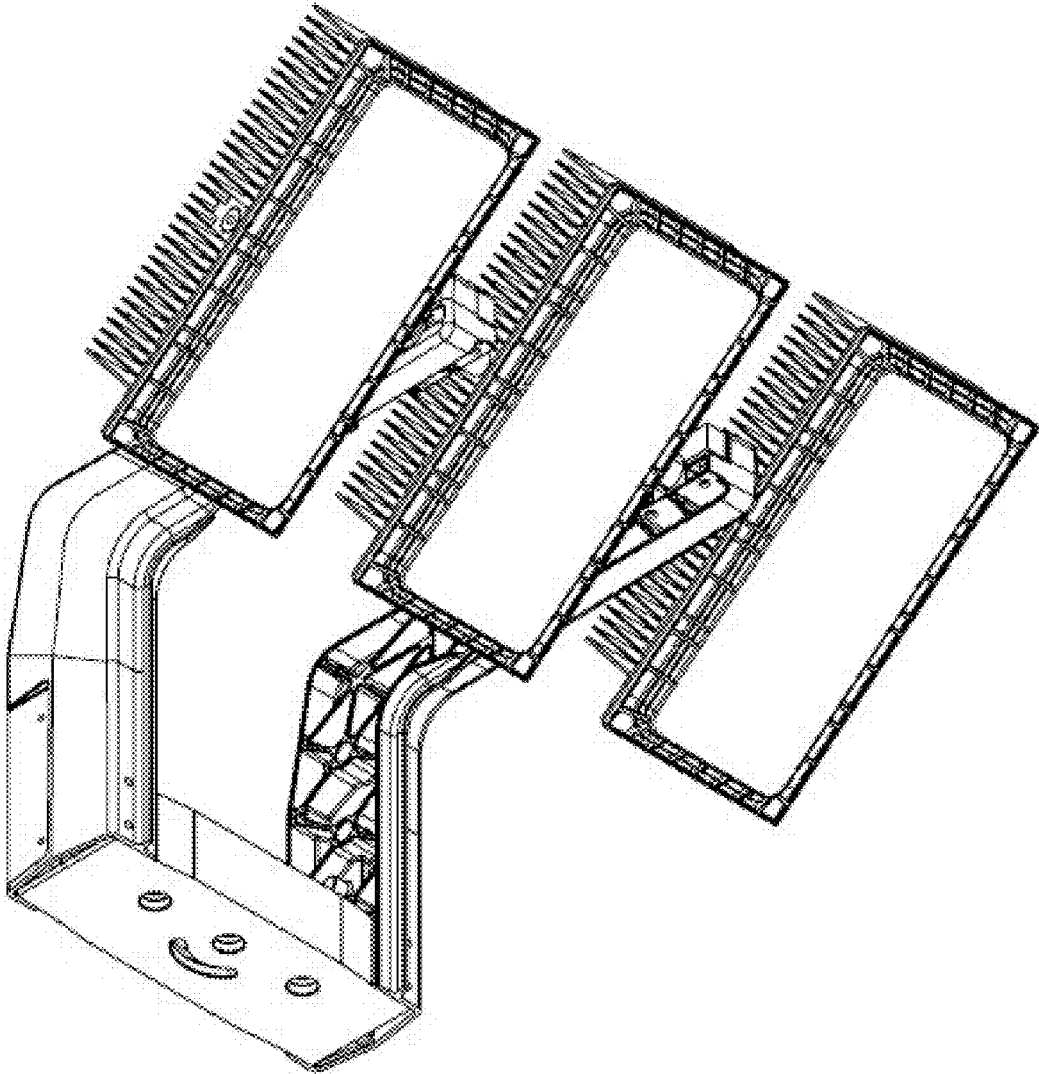
References Cited

U.S. PATENT DOCUMENTS

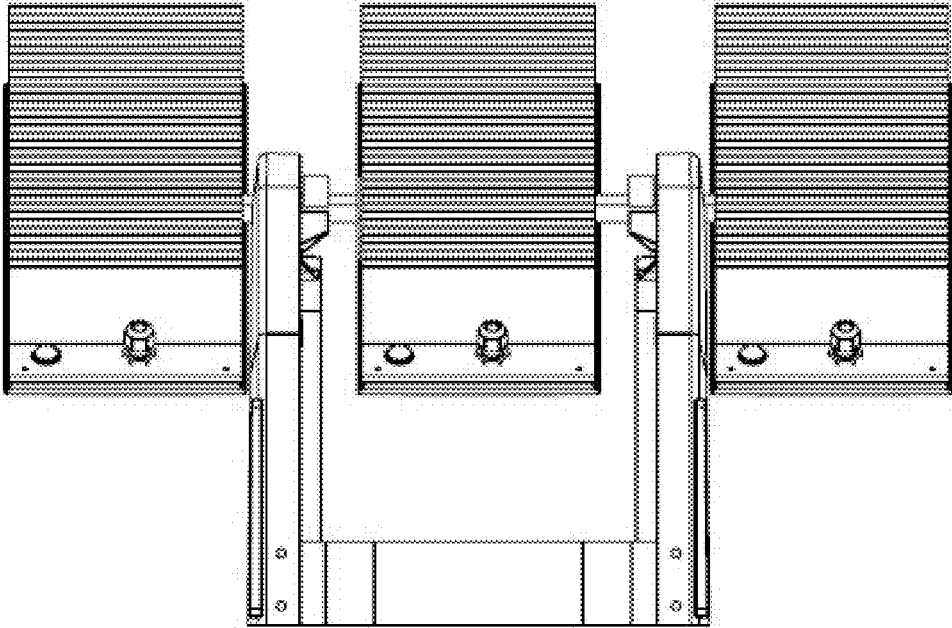
2010/0296287	A1*	11/2010	Huang	F21V 15/013 362/249.02
2011/0133670	A1*	6/2011	Lee	F21V 14/02 362/249.02
2013/0100662	A1*	4/2013	Lin	F21V 5/007 362/249.02
2014/0355278	A1*	12/2014	Huang	F21V 21/30 362/427
2019/0101273	A1*	4/2019	Kuenzler	F21V 23/0407

* cited by examiner

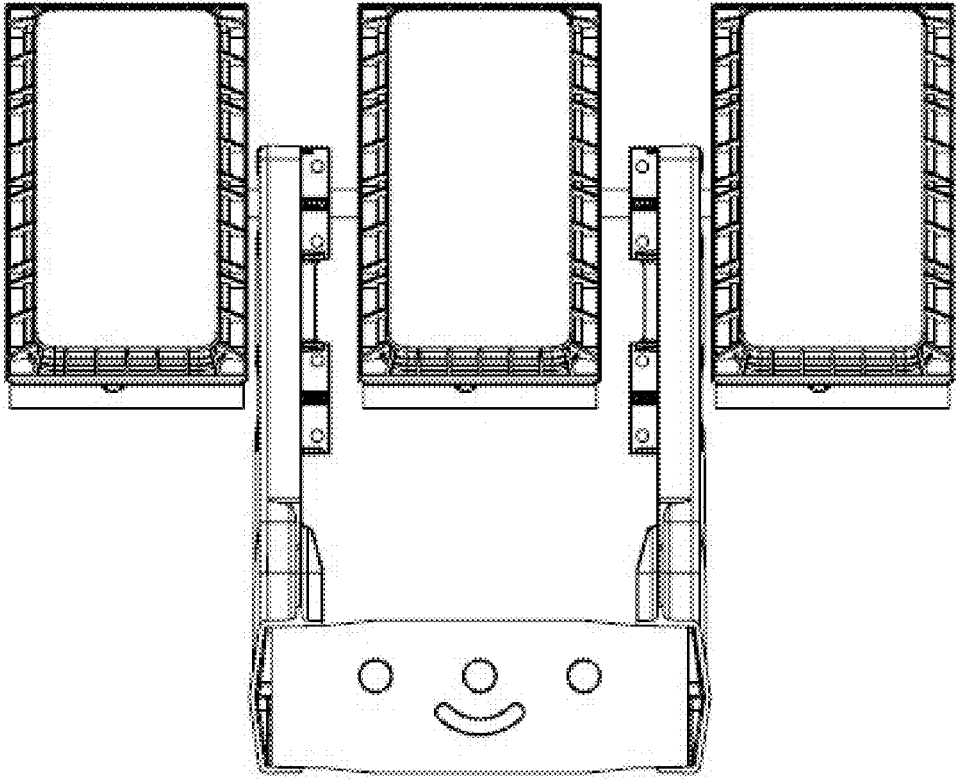
1.1



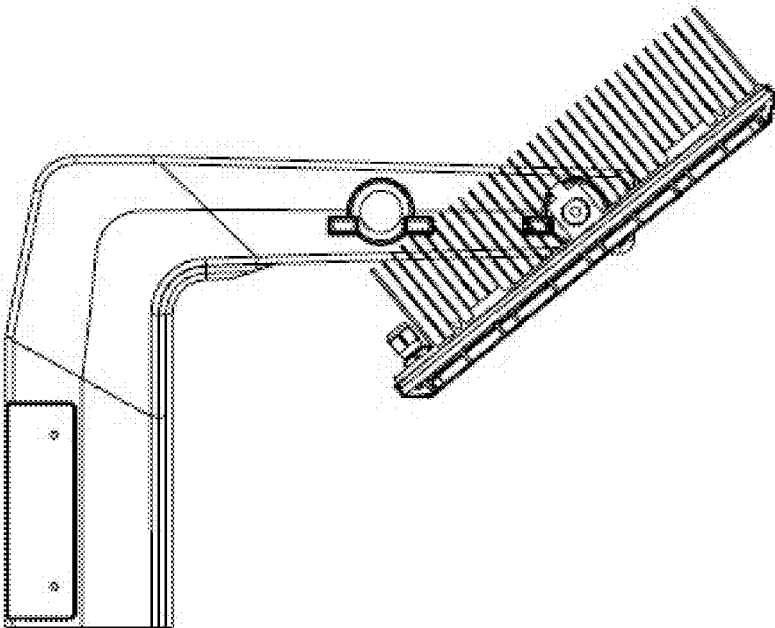
1.2



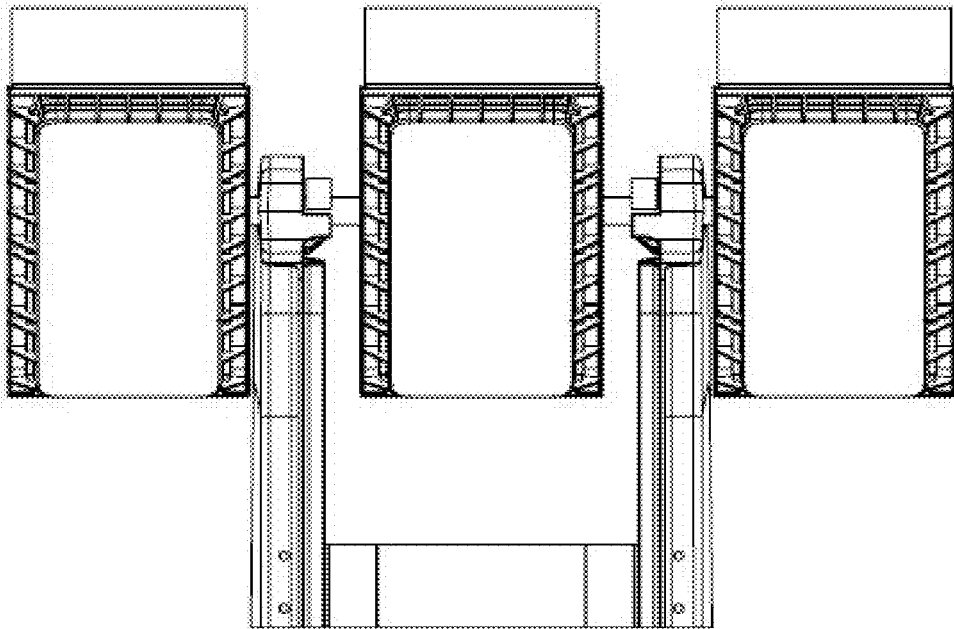
1.3



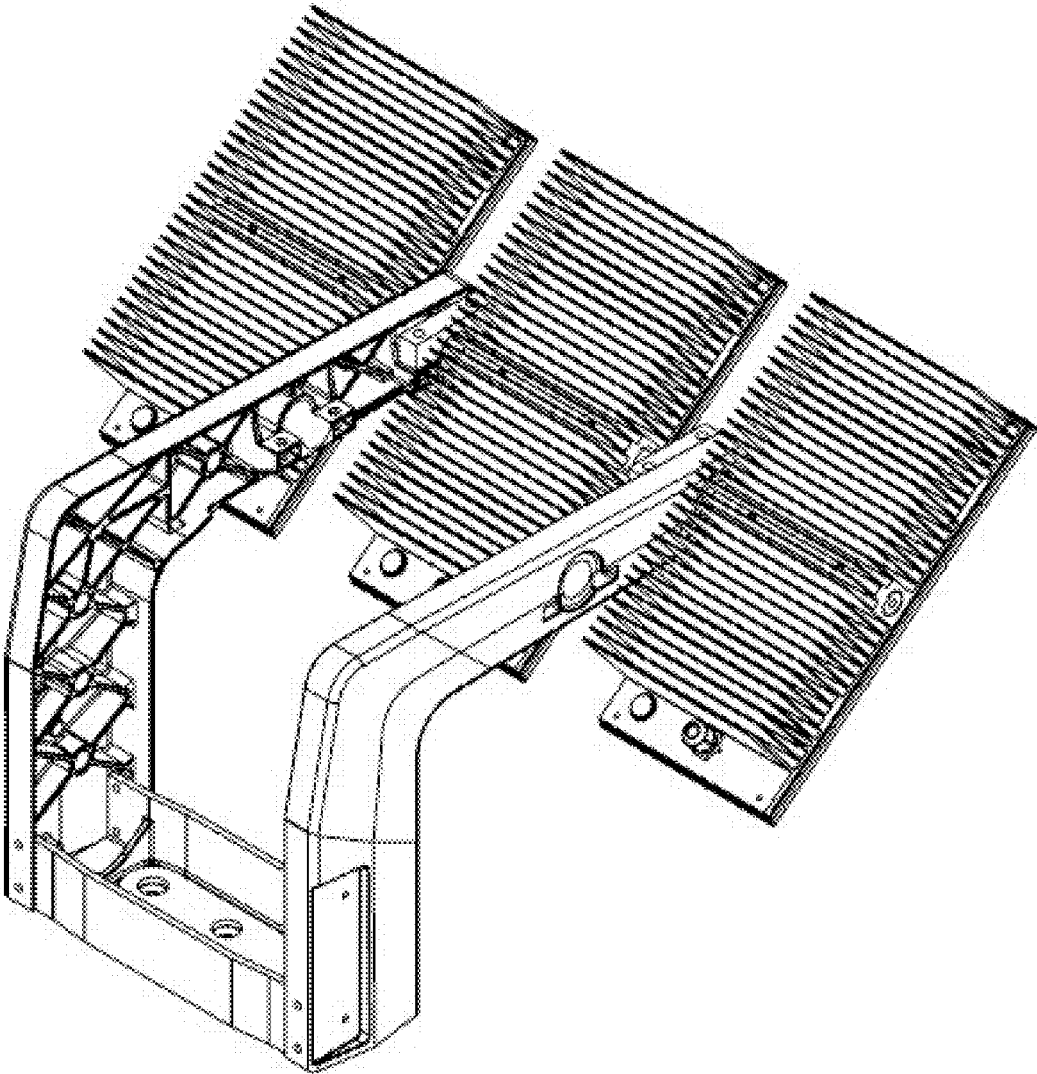
1.4



1.5



1.6



1.7

