



US00D834299S

(12) **United States Design Patent** (10) **Patent No.:** **US D834,299 S**
Van Langen (45) **Date of Patent:** **** Nov. 27, 2018**

(54) **BAUBLE-POT**
(71) Applicant: **Gerardus Nicolaas Maria Van Langen**, Heerhugowaard (NL)
(72) Inventor: **Gerardus Nicolaas Maria Van Langen**, Heerhugowaard (NL)
(**) Term: **15 Years**
(21) Appl. No.: **29/574,552**
(22) Filed: **Aug. 16, 2016**
(51) **LOC (11) Cl.** **03-01**
(52) **U.S. Cl.**
USPC **D3/201; D11/152**
(58) **Field of Classification Search**
USPC D3/201, 205, 242, 273, 274, 275, 276, D3/279, 281, 282, 283, 284, 289, 292, D3/294, 295, 296, 297, 299, 301, 302, D3/901, 903, 905; D11/121, 131, 143, D11/145, 149, 152, 157
CPC A45C 5/04; A45C 11/00; A45C 11/16
See application file for complete search history.

D404,681 S * 1/1999 Galemeau D11/121
5,970,918 A * 10/1999 Bary A01K 63/003
119/246
D473,271 S * 4/2003 Yoshida D21/483
D491,484 S * 6/2004 Tyler D11/121
D603,291 S * 11/2009 Wessling D11/117
D608,059 S * 1/2010 McNaughton D22/146
D609,607 S * 2/2010 Hsu D11/158
D614,989 S * 5/2010 Nakamura D11/121
D670,040 S * 10/2012 Aboujaoude D30/117
D681,885 S * 5/2013 Pitter D30/121
D687,341 S * 8/2013 Rosenkotter D11/121
D690,057 S * 9/2013 Wehr D21/714
D713,265 S * 9/2014 Cooper D11/121
D733,690 S * 7/2015 Zukowski D14/228
9,326,494 B2 * 5/2016 Allen A01K 63/06
D784,849 S * 4/2017 Liu D11/121
D795,505 S * 8/2017 Yang D30/101
D809,391 S * 2/2018 Funk D9/500

* cited by examiner

Primary Examiner — Manpreet S Matharu
Assistant Examiner — Holly E Thurman
(74) *Attorney, Agent, or Firm* — QuickPatents, LLC; Kevin Prince

(56) **References Cited**

U.S. PATENT DOCUMENTS

D85,253 S * 9/1931 Matsuno 119/256
3,650,384 A * 3/1972 Pegg A47F 3/14
211/1
D231,008 S * 3/1974 Hullender D26/51
D231,677 S * 5/1974 Miller 119/247
D299,445 S * 1/1989 Lee D11/145
D304,246 S * 10/1989 Ross, Jr. D30/102
D318,935 S * 8/1991 O'Connell D11/145
5,056,463 A * 10/1991 Wilkins A01K 63/006
119/246
D336,061 S * 6/1993 Kraselsky D11/131
D356,523 S * 3/1995 Rahr D11/143

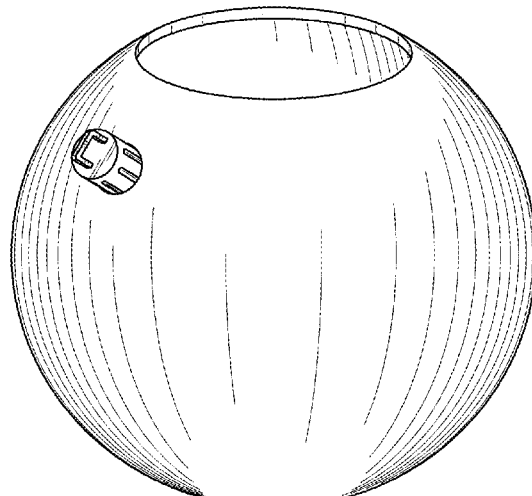
(57) **CLAIM**

I claim the ornamental design for a bauble-pot, as shown and described.

DESCRIPTION

FIG. 1 is a perspective view of a bauble-pot, showing my new design;
FIG. 2 is a right-side elevational view thereof;
FIG. 3 is a left-side elevational view thereof;
FIG. 4 is a rear elevational view thereof;
FIG. 5 is a front elevational view thereof;
FIG. 6 is a top plan view thereof; and,
FIG. 7 is a bottom plan view thereof.

1 Claim, 4 Drawing Sheets



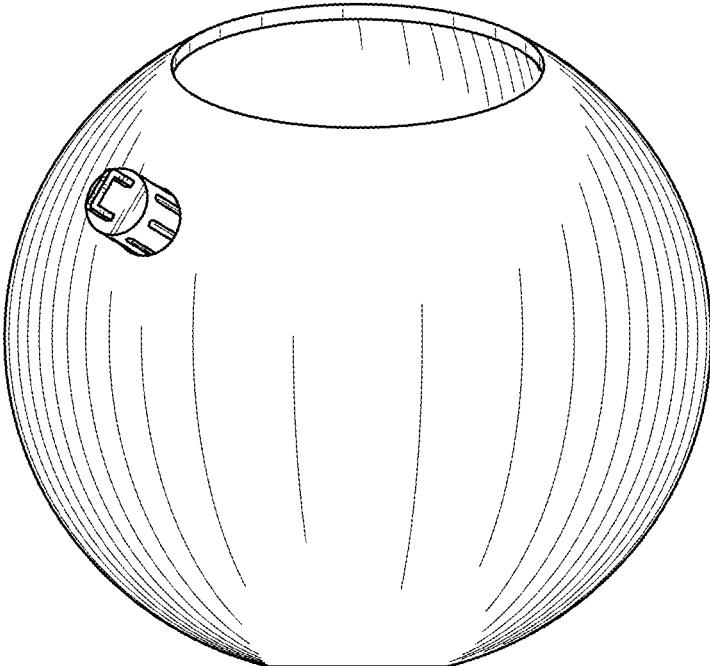


FIG. 1

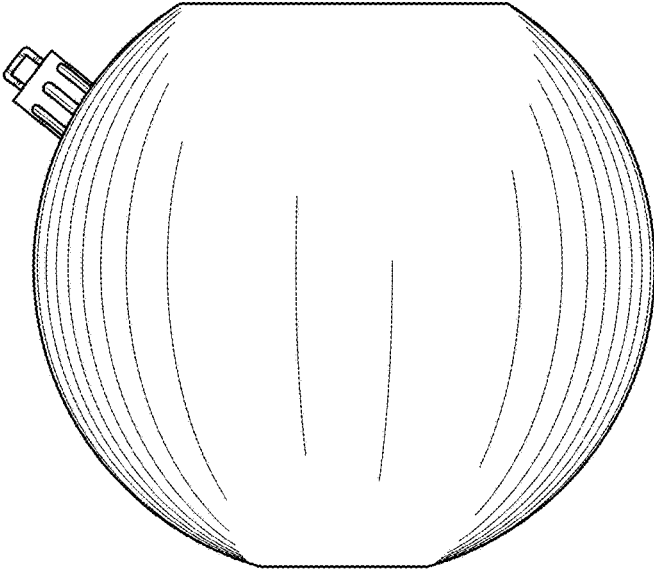


FIG. 2

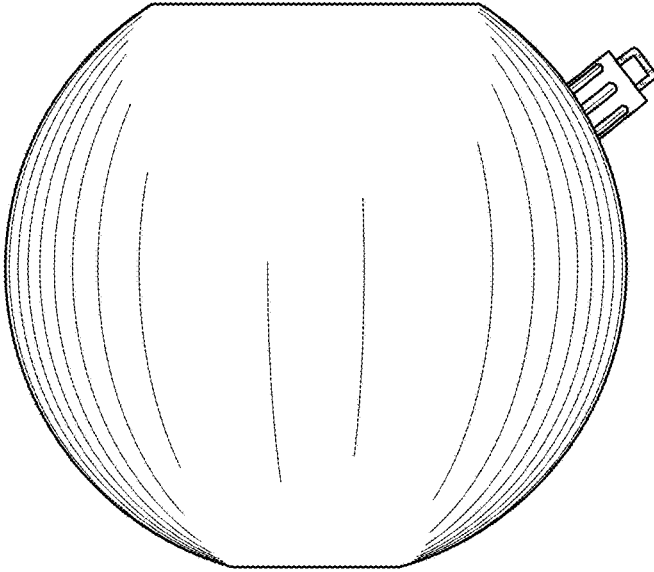


FIG. 3

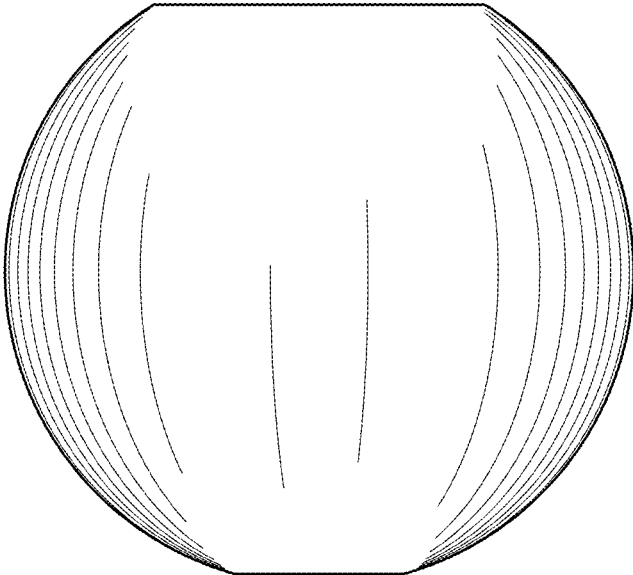


FIG. 4

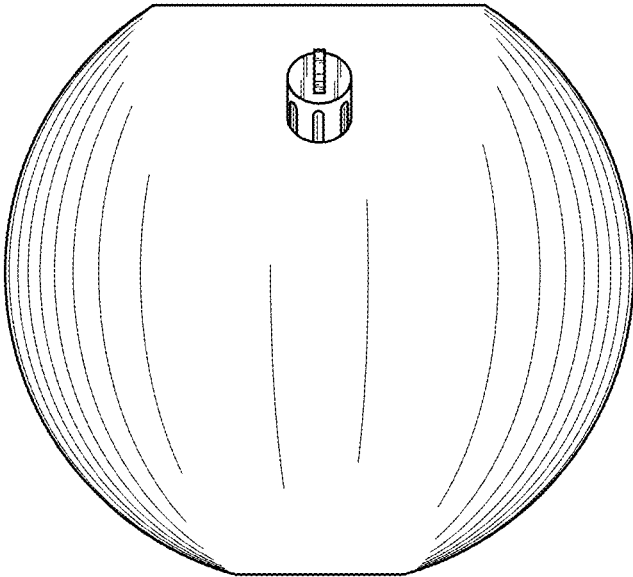


FIG. 5

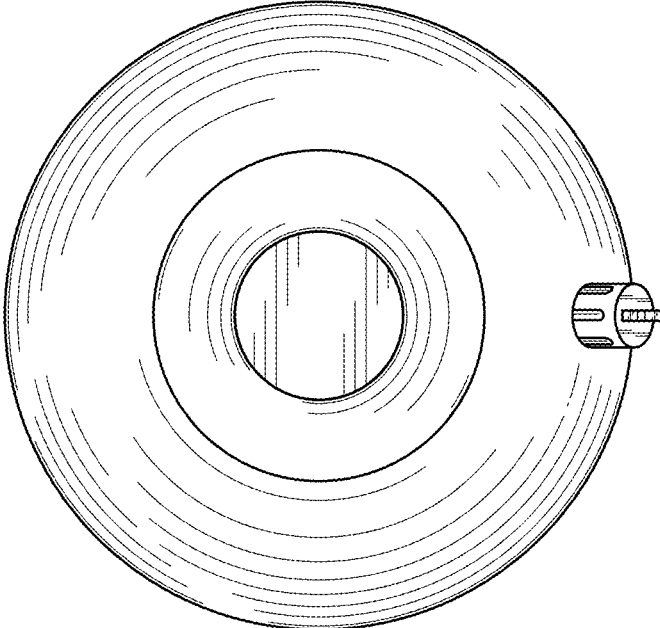


FIG. 6

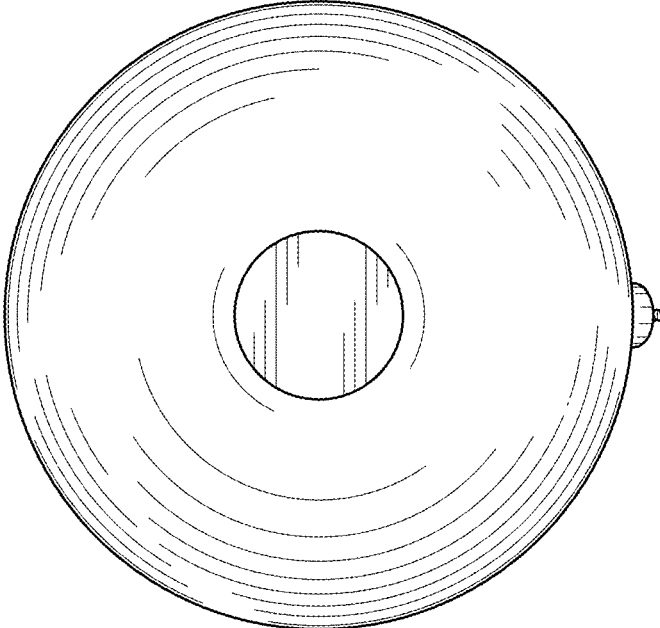


FIG. 7