



- (51) International Patent Classification:
A45D 19/02 (2006.01)
- (21) International Application Number:
PCT/IB2012/050566
- (22) International Filing Date:
8 February 2012 (08.02.2012)
- (25) Filing Language: English
- (26) Publication Language: English
- (30) Priority Data:
11 51005 8 February 2011 (08.02.2011) FR
61/450,826 9 March 2011 (09.03.2011) US
- (71) Applicant (for all designated States except US):
L'OREAL [FR/FR]; 14 rue Royale, F-75008 Paris (FR).
- (72) Inventors; and
- (75) Inventors/Applicants (for US only): SAMAIN, Henri [FR/FR]; 14 rue du Coteau, F-91570 Bievres (FR).
GAWTREY, Jonathan [FR/FR]; 88 rue de Paris, F-92100 Boulogne (FR).
- (74) Agent: TANTY, François; 3 rue de Penthièvre, F-75008 Paris (FR).
- (81) Designated States (unless otherwise indicated, for every kind of national protection available): AE, AG, AL, AM, AO, AT, AU, AZ, BA, BB, BG, BH, BR, BW, BY, BZ,

CA, CH, CL, CN, CO, CR, CU, CZ, DE, DK, DM, DO, DZ, EC, EE, EG, ES, FI, GB, GD, GE, GH, GM, GT, HN, HR, HU, ID, IL, IN, IS, JP, KE, KG, KM, KN, KP, KR, KZ, LA, LC, LK, LR, LS, LT, LU, LY, MA, MD, ME, MG, MK, MN, MW, MX, MY, MZ, NA, NG, NI, NO, NZ, OM, PE, PG, PH, PL, PT, QA, RO, RS, RU, RW, SC, SD, SE, SG, SK, SL, SM, ST, SV, SY, TH, TJ, TM, TN, TR, TT, TZ, UA, UG, US, UZ, VC, VN, ZA, ZM, ZW.

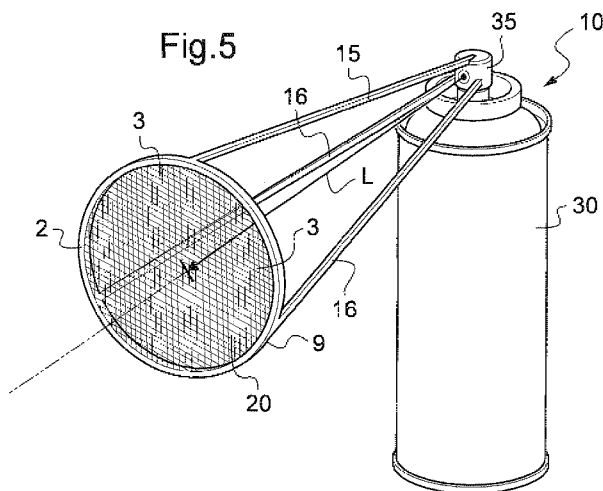
(84) Designated States (unless otherwise indicated, for every kind of regional protection available): ARIPO (BW, GH, GM, KE, LR, LS, MW, MZ, NA, RW, SD, SL, SZ, TZ, UG, ZM, ZW), Eurasian (AM, AZ, BY, KG, KZ, MD, RU, TJ, TM), European (AL, AT, BE, BG, CH, CY, CZ, DE, DK, EE, ES, FI, FR, GB, GR, HR, HU, IE, IS, IT, LT, LU, LV, MC, MK, MT, NL, NO, PL, PT, RO, RS, SE, SI, SK, SM, TR), OAPI (BF, BJ, CF, CG, CI, CM, GA, GN, GQ, GW, ML, MR, NE, SN, TD, TG).

Published:

- with international search report (Art. 21(3))
- before the expiration of the time limit for amending the claims and to be republished in the event of receipt of amendments (Rule 48.2(h))

(88) Date of publication of the international search report:
29 November 2012

(54) Title: PROCESS FOR APPLYING A HAIR CARE COMPOSITION TO HAIR



(57) Abstract: The present invention relates to a process for non-therapeutic treatment of human keratinous substances or mucous membranes, comprising the step consisting in transferring onto human keratinous substances or mucous membranes packets, preferably droplets (G), of a composition (P), held by capillary action or otherwise in cavities (3) in a support (2), by putting said support (2) in contact with keratinous substances or mucous membranes and/or by ejecting said packets, preferably said droplets, from the support (2) by mechanical action.

WO 2012/107887 A3

INTERNATIONAL SEARCH REPORT

International application No
PCT/IB2012/050566

A. CLASSIFICATION OF SUBJECT MATTER
INV. A45D19/02
ADD.
According to International Patent Classification (IPC) or to both national classification and IPC

B. FIELDS SEARCHED
Minimum documentation searched (classification system followed by classification symbols)
A45D

Documentation searched other than minimum documentation to the extent that such documents are included in the fields searched

Electronic data base consulted during the international search (name of data base and, where practicable, search terms used)
EPO-Internal

C. DOCUMENTS CONSIDERED TO BE RELEVANT

Category*	Citation of document, with indication, where appropriate, of the relevant passages	Relevant to claim No.
X	US 5 761 824 A (MOON JUNG S [US] ET AL) 9 June 1998 (1998-06-09) cited in the application abstract figures 1,3,4 column 3, line 24 - line 35 column 3, line 50 - line 61 -----	1,5, 8-10,14, 15
A	US 2006/247585 A1 (KELLY ALBERT R [US]) 2 November 2006 (2006-11-02) cited in the application abstract figures paragraph [0043] claim 1 ----- -/--	1,3

Further documents are listed in the continuation of Box C.

See patent family annex.

* Special categories of cited documents :

- "A" document defining the general state of the art which is not considered to be of particular relevance
- "E" earlier application or patent but published on or after the international filing date
- "L" document which may throw doubts on priority claim(s) or which is cited to establish the publication date of another citation or other special reason (as specified)
- "O" document referring to an oral disclosure, use, exhibition or other means
- "P" document published prior to the international filing date but later than the priority date claimed

- "T" later document published after the international filing date or priority date and not in conflict with the application but cited to understand the principle or theory underlying the invention
- "X" document of particular relevance; the claimed invention cannot be considered novel or cannot be considered to involve an inventive step when the document is taken alone
- "Y" document of particular relevance; the claimed invention cannot be considered to involve an inventive step when the document is combined with one or more other such documents, such combination being obvious to a person skilled in the art
- "&" document member of the same patent family

Date of the actual completion of the international search 28 September 2012	Date of mailing of the international search report 08/10/2012
Name and mailing address of the ISA/ European Patent Office, P.B. 5818 Patentlaan 2 NL - 2280 HV Rijswijk Tel. (+31-70) 340-2040, Fax: (+31-70) 340-3016	Authorized officer Zetsche, Brigitta

INTERNATIONAL SEARCH REPORT

International application No
PCT/IB2012/050566

C(Continuation). DOCUMENTS CONSIDERED TO BE RELEVANT		
Category*	Citation of document, with indication, where appropriate, of the relevant passages	Relevant to claim No.
A	GB 2 419 089 A (JEREMY GORDON SALTER [GB]) 19 April 2006 (2006-04-19) cited in the application page 2, line 28 - page 3, line 2 figures -----	8

INTERNATIONAL SEARCH REPORT

Information on patent family members

International application No

PCT/IB2012/050566

Patent document cited in search report	Publication date	Patent family member(s)	Publication date
US 5761824	A	09-06-1998	NONE
US 2006247585	A1	02-11-2006	NONE
GB 2419089	A	19-04-2006	NONE