



US00D737094S

(12) **United States Design Patent**
Hundley

(10) **Patent No.:** **US D737,094 S**

(45) **Date of Patent:** **** Aug. 25, 2015**

(54) **HANDLE**

(71) Applicant: **The Vollrath Company, L.L.C.**,
Sheboygan, WI (US)

(72) Inventor: **Jill E. Hundley**, Sheboygan, WI (US)

(73) Assignee: **The Vollrath Company, L.L.C.**,
Sheboygan, WI (US)

(**) Term: **14 Years**

(21) Appl. No.: **29/447,774**

(22) Filed: **Mar. 6, 2013**

(51) **LOC (10) CL.** **07-02**

(52) **U.S. Cl.**
USPC **D7/395**

(58) **Field of Classification Search**

USPC D7/354-358, 359-361, 391, 393, 402,
D7/405, 406, 682; D8/107, 300, 307;
16/110 R, 114 R, 118, 121, 309, 311,
16/312, 315, 320, 430, 431, 441; 74/548,
74/553, 558.5; 200/18, 61.8, 336-338,
200/564-570; 220/573.1-573.5, 752, 753,
220/755, 759, 912
CPC A47J 45/06; A47J 45/061; A47J 45/62;
A47J 45/08; A47J 45/085; B65D 25/2802;
B65D 25/2882; B65D 25/2885; B65D
25/2888; B65D 25/2894; Y10S 220/912

See application file for complete search history.

(56) **References Cited**

U.S. PATENT DOCUMENTS

D397,272 S	8/1998	Bell et al.
D403,114 S	12/1998	Shurtleff
D405,314 S	2/1999	Kroscher et al.
D407,600 S	4/1999	LoGiudice
D407,851 S	4/1999	Shurtleff
D408,219 S	4/1999	Lai
D411,410 S	6/1999	Pedrini

D411,780 S	7/1999	Muller
D412,641 S	8/1999	Schiffer
D413,486 S	9/1999	Kaposi et al.
D416,437 S	11/1999	Cheng
D417,121 S	11/1999	Brunianyn
D417,586 S	12/1999	Cheng
D420,887 S	2/2000	Chen
D420,888 S	2/2000	Yu
D423,282 S	4/2000	Montgelard
D424,368 S	5/2000	Rosenthal
D425,364 S	5/2000	Montgelard
D426,107 S	6/2000	Cheng
D426,748 S	6/2000	Chau
D427,044 S	6/2000	White et al.
D427,848 S	7/2000	Gasparino et al.
D427,849 S	7/2000	Gasparino et al.
D427,850 S	7/2000	Gasparino et al.
D429,110 S	8/2000	Cheng
D429,950 S	8/2000	Yu et al.
D431,414 S	10/2000	Munari

(Continued)

Primary Examiner — Cynthia M Chin

(74) *Attorney, Agent, or Firm* — Foley & Lardner LLP

(57) **CLAIM**

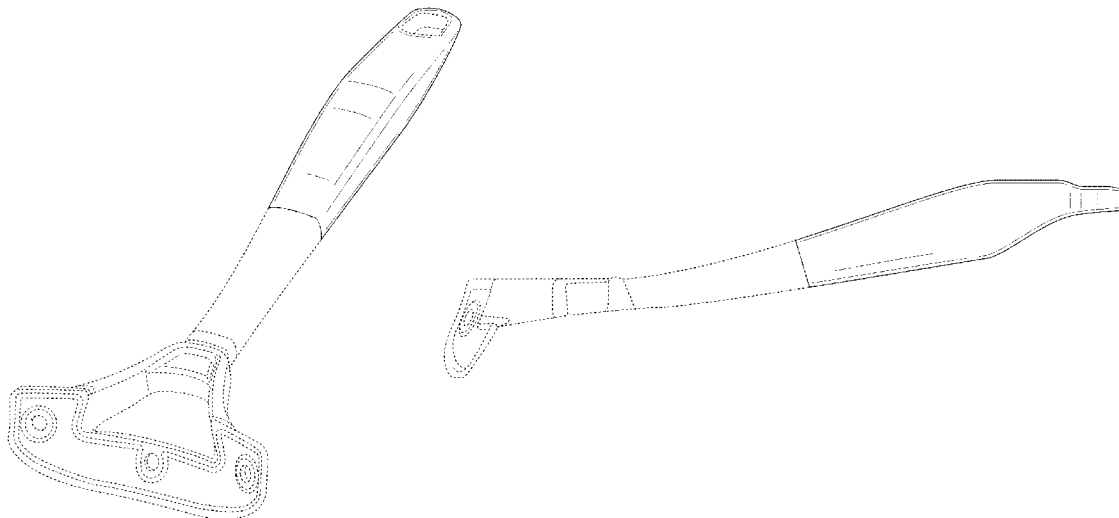
I claim the ornamental design for a handle, as shown and described.

DESCRIPTION

FIG. 1 is a perspective view of the claimed design;
FIG. 2 is a top view thereof;
FIG. 3 is a bottom view thereof;
FIG. 4 is a right side view thereof;
FIG. 5 is a left side view thereof;
FIG. 6 is a front view thereof; and,
FIG. 7 is a rear view thereof.

The ornamental design which is claimed is shown in solid lines in the drawings. The dash-dot boundary lines define a boundary of a claimed design and form no part of a claimed design. The broken lines in the drawings are for illustrative purposes only and form no part of the claimed design.

1 Claim, 5 Drawing Sheets



(56)

References Cited

U.S. PATENT DOCUMENTS

D433,278 S	11/2000	LoGiudice	D506,378 S	6/2005	Coudurier
D437,524 S	2/2001	Cappadona et al.	D507,719 S	7/2005	Spagnolo
D438,054 S	2/2001	Munari	D508,371 S	8/2005	Campbell
D438,055 S	2/2001	Munari	D510,233 S	10/2005	Giannone
D439,108 S	3/2001	LoGiudice	D511,068 S	11/2005	Coppi
D439,800 S	4/2001	Gasparino et al.	D512,266 S	12/2005	Munari
D440,463 S	4/2001	Groll	D514,379 S	2/2006	Kerr et al.
D442,025 S	5/2001	Rae	D516,377 S	3/2006	Plichon
D442,026 S	5/2001	Rae	D518,331 S	4/2006	Rae
D442,427 S	5/2001	Chau	D518,352 S	4/2006	Brasset
D443,175 S	6/2001	Coudurier	D520,295 S	5/2006	Schreiber-Pethan et al.
D443,470 S	6/2001	Yu	D521,313 S	5/2006	Pukall et al.
D444,029 S	6/2001	Wold et al.	D523,690 S	6/2006	Giannone
D444,692 S	7/2001	Marquardt	D524,598 S	7/2006	Schorlemmer et al.
D445,642 S	7/2001	Rae	D525,081 S	7/2006	Munari
D446,079 S	8/2001	Rae	D525,827 S	8/2006	Munari
D446,104 S	8/2001	Chen	D527,220 S	8/2006	Scipioni
D446,105 S	8/2001	Hsiao	D527,579 S	9/2006	Park
D446,437 S	8/2001	Chen	D528,354 S	9/2006	Lin
D447,040 S	8/2001	Douglas et al.	D530,148 S	10/2006	Knorr
D447,383 S	9/2001	Rae	D530,978 S	10/2006	Lo
D448,608 S	10/2001	Shonfeld et al.	D531,852 S	11/2006	Bham
D448,611 S	10/2001	Ancona et al.	D533,026 S	12/2006	Dotterman et al.
D448,972 S	10/2001	Knorr	D533,399 S	12/2006	Wright
D450,217 S	11/2001	Rae	D534,410 S	1/2007	Chen
D450,532 S	11/2001	Shen	D536,921 S	2/2007	Tarlow et al.
D451,342 S	12/2001	Wentland et al.	D538,589 S	3/2007	Coudurier
D452,114 S	12/2001	Lin	D543,772 S	6/2007	Roussard
D453,092 S	1/2002	Coudurier	D544,297 S	6/2007	Daldosso
D456,670 S	5/2002	Munari	D545,116 S	6/2007	Wasserman et al.
D458,802 S	6/2002	Richied et al.	D545,612 S	7/2007	Wasserman et al.
D460,318 S	7/2002	Richied et al.	D545,620 S	7/2007	Hood
6,419,107 B1	7/2002	Cheng	D547,599 S	7/2007	Gerlach
D461,363 S	8/2002	Law	D550,027 S	9/2007	Hadj-Chikh et al.
D461,364 S	8/2002	Yen	D552,414 S	10/2007	McRorie, III
D462,251 S	9/2002	Collins et al.	D552,415 S	10/2007	McRorie, III
D463,714 S	10/2002	Munari	D553,907 S	10/2007	Catalano et al.
D465,700 S	11/2002	Wong et al.	D555,421 S	11/2007	ThurLOW et al.
D465,701 S	11/2002	Epstein et al.	D555,424 S	11/2007	Rae
D468,156 S	1/2003	Yu	D555,425 S	* 11/2007	Rae D7/395
D468,583 S	1/2003	Kerulis	D555,971 S	11/2007	Rae
D468,958 S	1/2003	Su	D555,972 S	11/2007	Rae
D469,655 S	2/2003	Ryan et al.	D555,973 S	11/2007	Rae
D470,711 S	2/2003	Kloppsteck	D557,065 S	12/2007	Levy et al.
D477,181 S	7/2003	Dodane	D559,032 S	1/2008	Kellermann et al.
D477,966 S	8/2003	Burton et al.	D559,617 S	1/2008	Kloppsteck
D477,967 S	8/2003	Burton et al.	D560,426 S	1/2008	Prakasa
D479,434 S	9/2003	Lin	D560,427 S	1/2008	Prakasa
D480,910 S	10/2003	Roehrig	D560,428 S	* 1/2008	Prakasa D7/395
D480,912 S	10/2003	LoGiudice et al.	D560,429 S	1/2008	Prakasa
D480,913 S	10/2003	Hughes	D561,526 S	2/2008	Bunting et al.
D482,233 S	11/2003	Rae	D561,527 S	2/2008	Giannone
D482,567 S	11/2003	Demers	D562,063 S	2/2008	Munari
D482,568 S	11/2003	Demers et al.	D564,294 S	3/2008	Wasserman et al.
D482,930 S	12/2003	Lin	D564,831 S	3/2008	Roberts et al.
D483,990 S	12/2003	Munari	D565,347 S	4/2008	Rae
D485,119 S	1/2004	Kight	D569,682 S	5/2008	Prakasa
D486,718 S	2/2004	Goddert	D575,102 S	8/2008	Rajasekaran et al.
D489,937 S	5/2004	Erhardt et al.	D575,982 S	9/2008	Rae
D490,270 S	5/2004	Pippel et al.	D575,983 S	9/2008	Giannone
D491,016 S	6/2004	Rae	D578,824 S	10/2008	Munari et al.
D491,413 S	6/2004	Rosenthal	D578,825 S	10/2008	Bogani
D494,007 S	8/2004	Rae	D579,265 S	10/2008	Munari
D494,412 S	8/2004	Prakasa	D579,268 S	10/2008	Ishai
D495,198 S	8/2004	Gonzalez	D581,721 S	12/2008	Rae
D496,218 S	9/2004	Sano	D581,729 S	12/2008	Rico
D496,558 S	9/2004	Zemel	D586,177 S	2/2009	Loring
D497,513 S	10/2004	Rae	D587,519 S	3/2009	Cheng et al.
D498,117 S	11/2004	Lorthioir	D589,744 S	4/2009	Rae
D498,640 S	11/2004	Kloppsteck et al.	D589,746 S	4/2009	Rae
D500,630 S	1/2005	Brasset	D590,206 S	4/2009	Munari
D502,051 S	2/2005	Stewart	D591,020 S	4/2009	Dotterman et al.
D503,540 S	4/2005	Barber	D592,451 S	5/2009	Logiudice et al.
D503,585 S	4/2005	Tetreault et al.	D592,452 S	5/2009	Tetreault
D504,797 S	5/2005	Lu	D593,794 S	* 6/2009	Rae D7/395
			D596,895 S	7/2009	Tetreault et al.
			D596,896 S	7/2009	Munari
			D596,897 S	* 7/2009	Tetreault et al. D7/395
			D598,705 S	8/2009	Tetreault

(56)

References Cited

U.S. PATENT DOCUMENTS

D599,165 S	9/2009	Rae		D630,889 S	1/2011	Rae	
D602,307 S	10/2009	Fort et al.		D635,396 S	4/2011	Rae	
D608,138 S	1/2010	Rae		D638,258 S	5/2011	Henry	
D608,139 S	1/2010	Rae		D638,259 S	5/2011	Henry	
D610,401 S	2/2010	Pantaleo		D644,486 S	9/2011	Groll	
D612,199 S	3/2010	Tetreault et al.		D645,698 S	9/2011	Rae	
D612,200 S	3/2010	Tetreault et al.		D649,832 S	12/2011	Loaiza	
D613,551 S	4/2010	Pantaleo		D650,216 S	12/2011	Rae	
D617,140 S	6/2010	Rae		D650,217 S	12/2011	Loaiza	
D617,141 S	6/2010	Rae		D650,218 S	12/2011	Loaiza	
D618,052 S	6/2010	Rae		D651,451 S	1/2012	Rae	
D618,495 S	6/2010	Welk et al.		D653,078 S	1/2012	Cheng et al.	
D629,249 S	12/2010	Snyker		D654,307 S	2/2012	Loaiza	
D629,647 S	12/2010	Munari		D658,002 S	4/2012	Rae	
D629,650 S	12/2010	Funka, Jr. et al.		D658,003 S	4/2012	Rae	
D630,053 S	1/2011	Josancy		D658,004 S *	4/2012	Rae	D7/395
D630,055 S *	1/2011	Rae	D7/395	D658,433 S	5/2012	Zemel	
D630,057 S	1/2011	Rae		D659,467 S	5/2012	Buchanan	
				D667,689 S *	9/2012	Rae	D7/395
				D705,000 S *	5/2014	Rae	D7/395

* cited by examiner

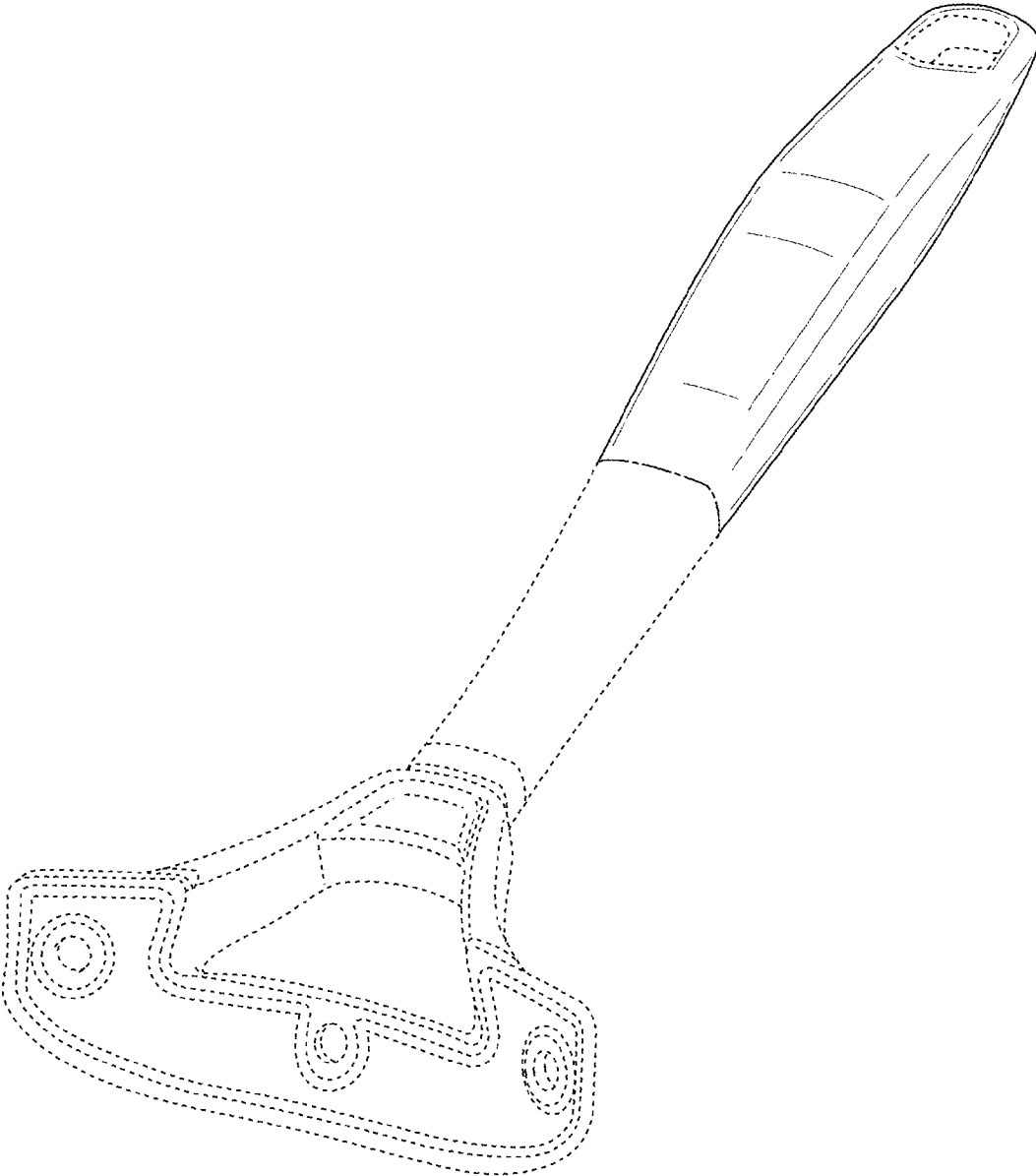


FIG. 1

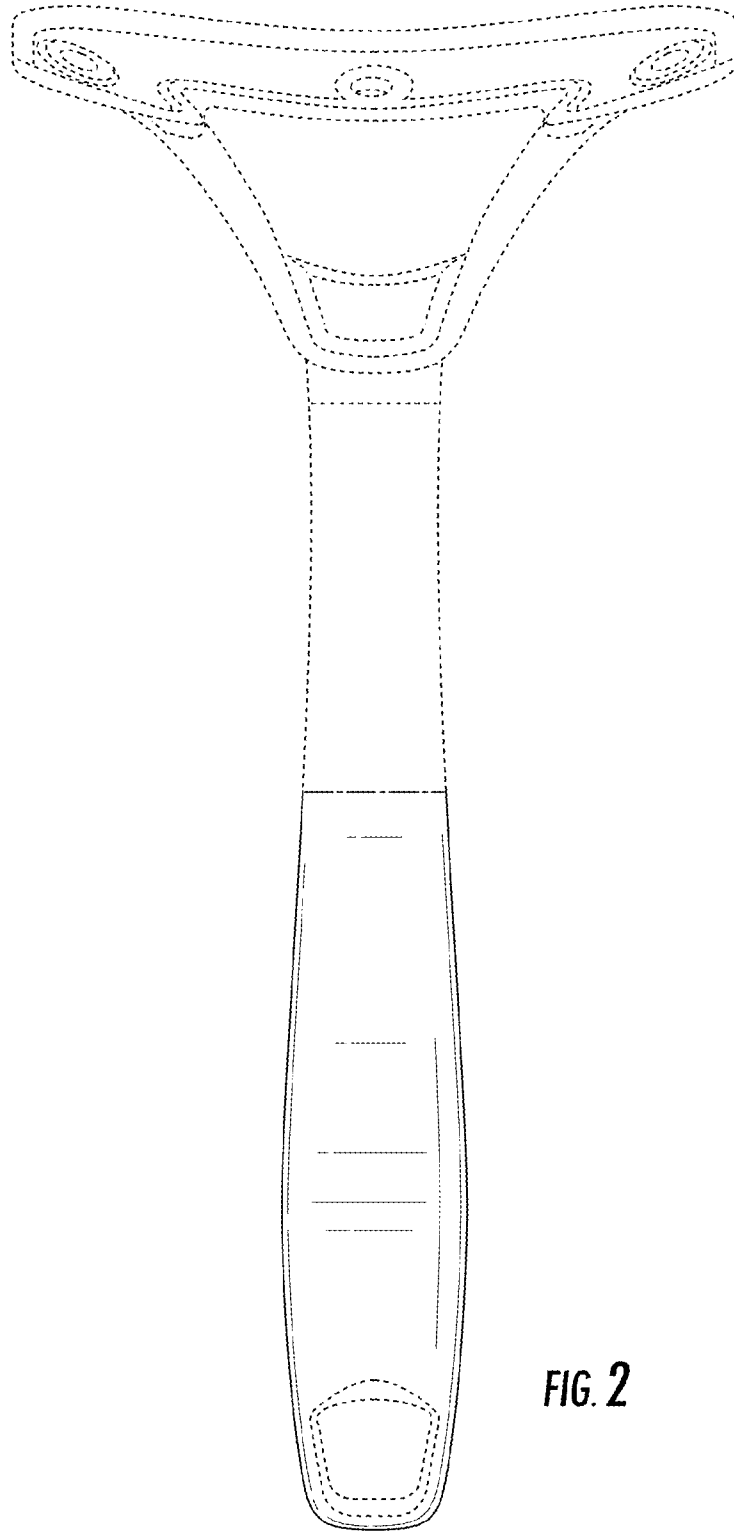


FIG. 2

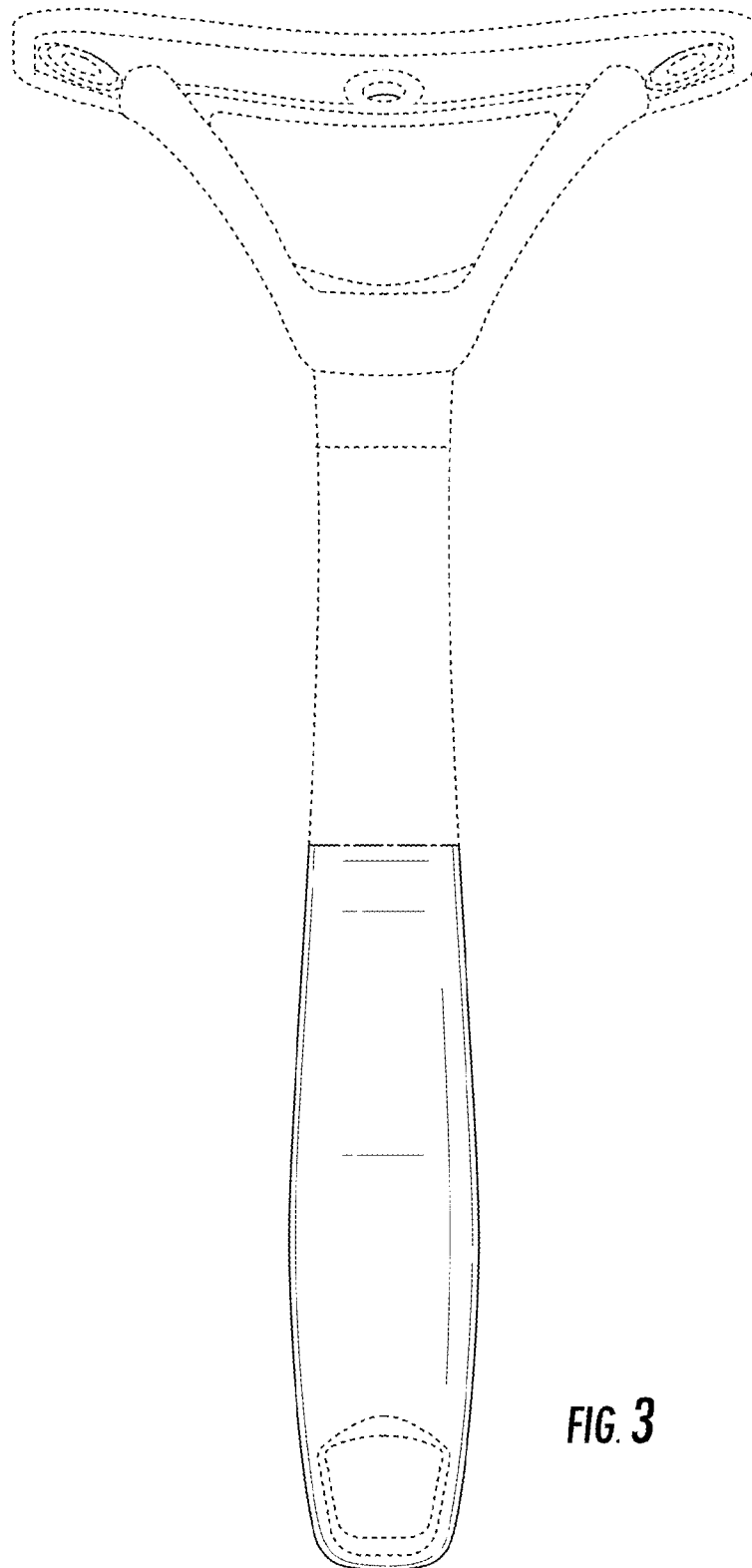


FIG. 3

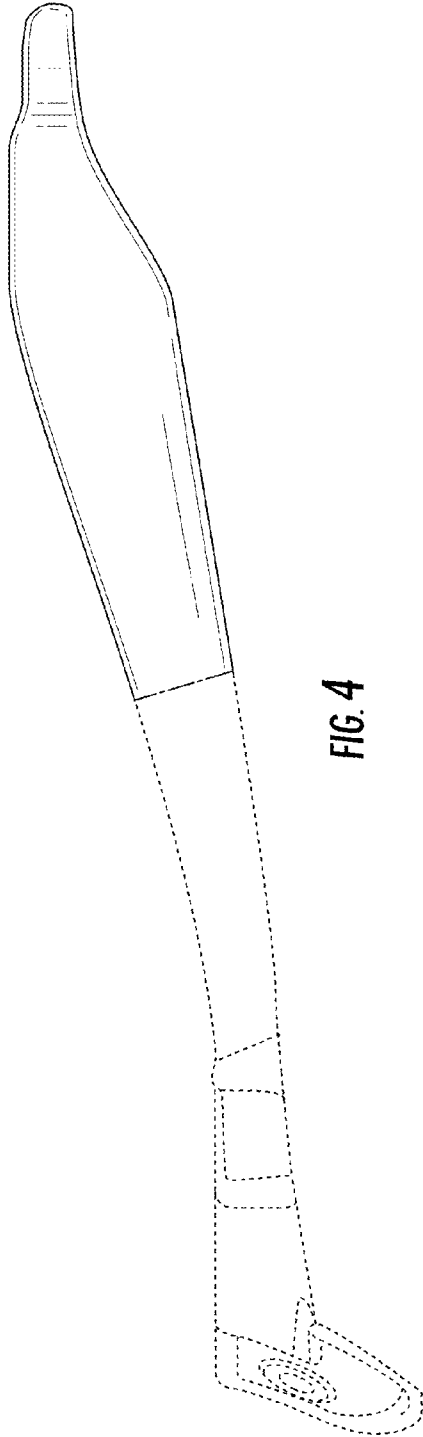


FIG. 4

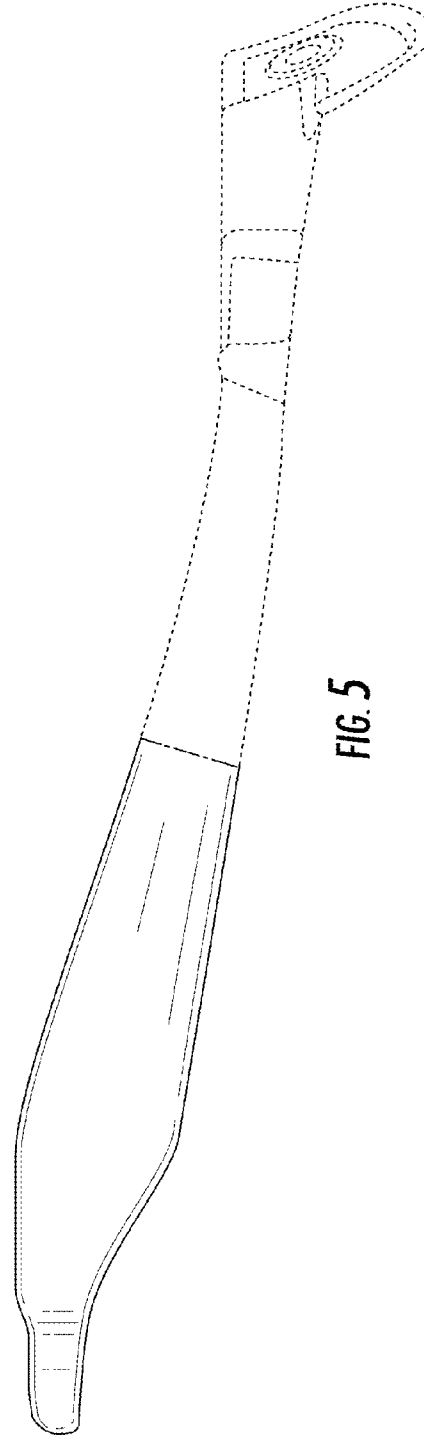


FIG. 5

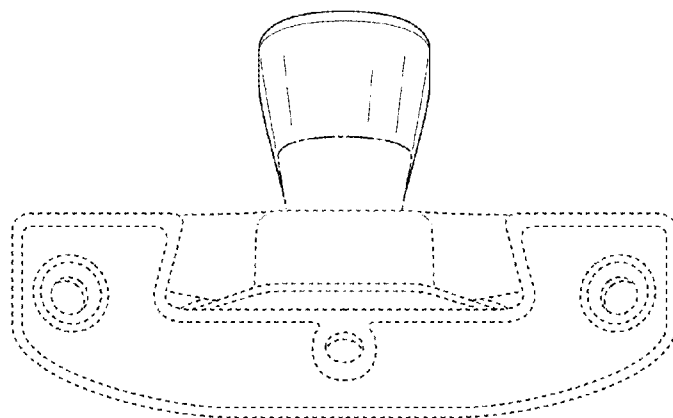


FIG. 6

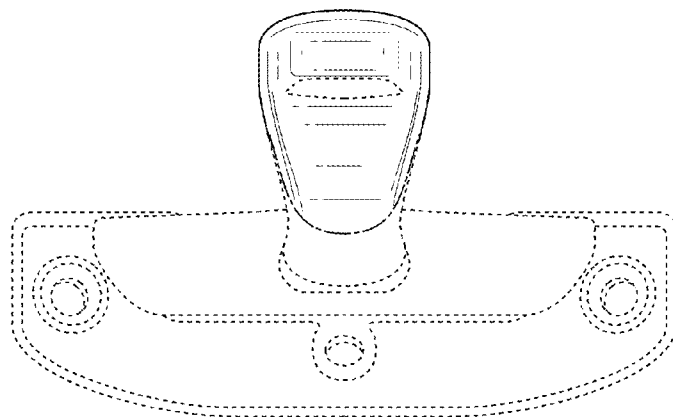


FIG. 7