



US00D887584S

(12) **United States Design Patent**
Marshall

(10) **Patent No.:** **US D887,584 S**

(45) **Date of Patent:** **** Jun. 16, 2020**

(54) **WINDOW TOP STILE EXTRUSION**

(71) Applicant: **Chelsea Building Products, Inc.**,
Oakmont, PA (US)

(72) Inventor: **Philip Marshall**, Pittsburgh, PA (US)

(73) Assignee: **Chelsea Building Products, Inc.**,
Oakmont, PA (US)

(**) Term: **15 Years**

(21) Appl. No.: **29/678,419**

(22) Filed: **Jan. 29, 2019**

(51) **LOC (12) Cl.** **25-01**

(52) **U.S. Cl.**
USPC **D25/124**

(58) **Field of Classification Search**
USPC D25/61, 119–125, 199
CPC E06B 1/04; E06B 1/12; E06B 1/26; E06B
1/28; E06B 1/30; E06B 1/34; E06B
1/342; E06B 1/36; E06B 1/366; E06B
1/62; E06B 1/64; E06B 1/702; E06B
3/06; E06B 3/20; E06B 3/205; E06B
3/22; E06B 3/44; E06B 5/003; E06B 5/12
See application file for complete search history.

(56) **References Cited**

U.S. PATENT DOCUMENTS

D335,712 S *	5/1993	Cole	D25/124
D461,915 S *	8/2002	Ballard	D25/124
D557,823 S *	12/2007	Willman	D25/124
D557,824 S *	12/2007	Willman	D25/124
D572,378 S *	7/2008	Morton	D25/124
D576,297 S *	9/2008	Morton	D25/124
D576,298 S *	9/2008	Morton	D25/124
D583,072 S *	12/2008	Campbell	D25/124
D583,080 S *	12/2008	Campbell	D25/124
D590,959 S *	4/2009	Franson	D25/124
D592,764 S *	5/2009	Campbell	D25/124

D593,686 S *	6/2009	Campbell	D25/124
D593,687 S *	6/2009	Campbell	D25/124
D597,220 S *	7/2009	Campbell	D25/124
D651,725 S *	1/2012	Wickland	D25/124
D693,489 S *	11/2013	Wickland	D25/124
D736,957 S *	8/2015	Chaney	D25/124
D759,845 S *	6/2016	Marshall	D25/124
D759,846 S *	6/2016	Marshall	D25/124
D759,848 S *	6/2016	Marshall	D25/124
D759,849 S *	6/2016	Marshall	D25/124
D759,850 S *	6/2016	Marshall	D25/124

(Continued)

Primary Examiner — Llorelys Martinez

(74) *Attorney, Agent, or Firm* — Vorys, Sater, Seymour
and Pease LLP

(57) **CLAIM**

The ornamental design for a window top stile extrusion, as shown and described.

DESCRIPTION

FIG. 1 is an isometric view of a window top stile extrusion, according to the present disclosure.

FIG. 2 is a top view of the window top stile extrusion of FIG. 1.

FIG. 3 is a bottom view of the window top stile extrusion of FIG. 1.

FIG. 4 is a front view of the window top stile extrusion of FIG. 1.

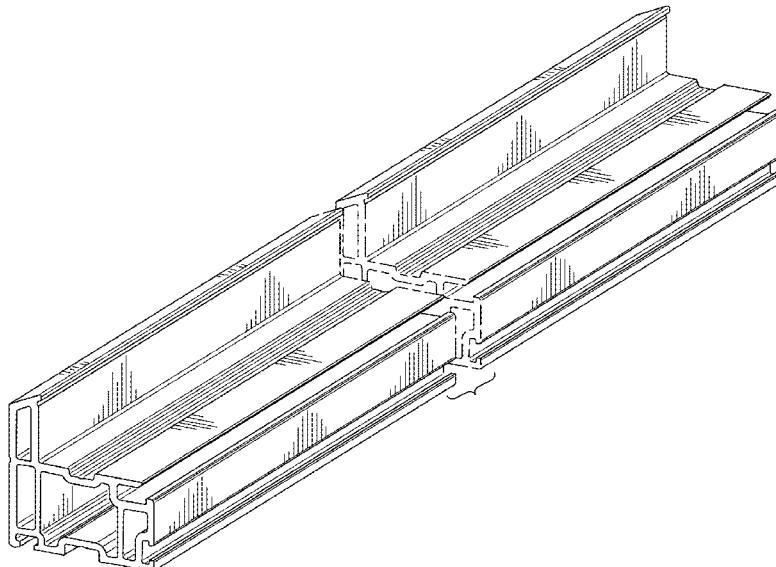
FIG. 5 is a rear view of the window top stile extrusion of FIG. 1.

FIG. 6 is a left side view of the window top stile extrusion of FIG. 1; and,

FIG. 7 is a right side view of the window top stile extrusion of FIG. 1.

The window top stile extrusion is shown with two parallel dash-dot break lines that represent the bounds of the claim. The appearance of any portion of the article between the break lines forms no part of the claimed design.

1 Claim, 4 Drawing Sheets



(56)

References Cited

U.S. PATENT DOCUMENTS

D769,467	S	*	10/2016	Roberts	D25/124
D795,458	S	*	8/2017	Marshall	D25/125
D795,462	S	*	8/2017	Marshall	D25/125
D795,463	S	*	8/2017	Marshall	D25/125
D836,216	S	*	12/2018	Roberts	D25/124

* cited by examiner

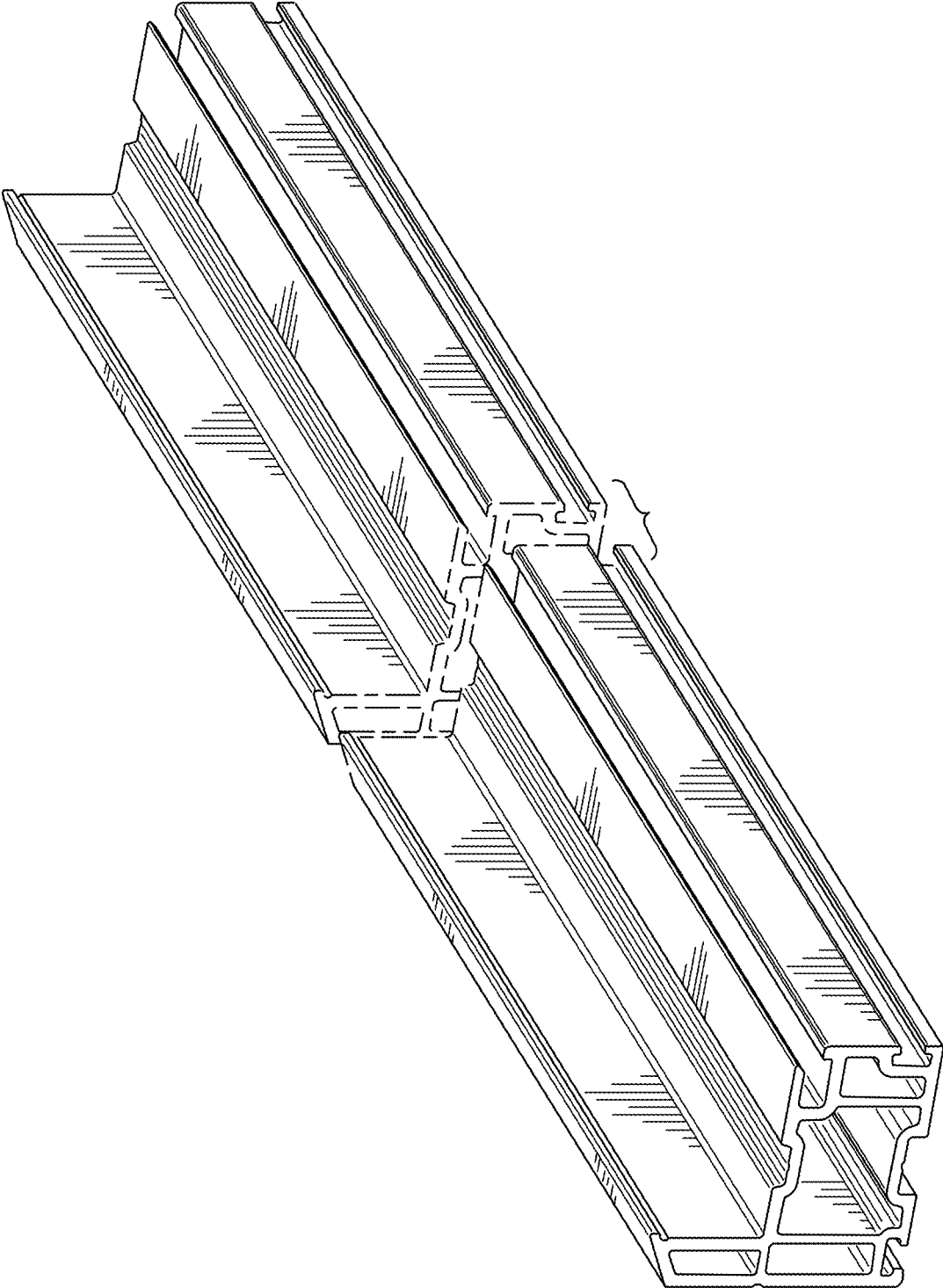


FIG. 1

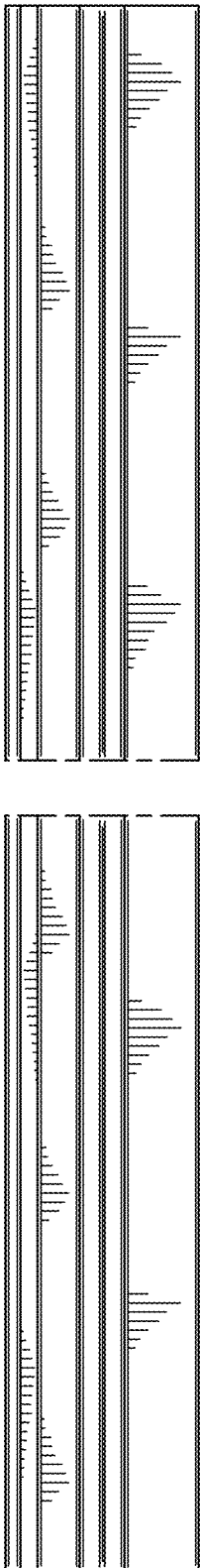


FIG. 2



FIG. 3



FIG. 4

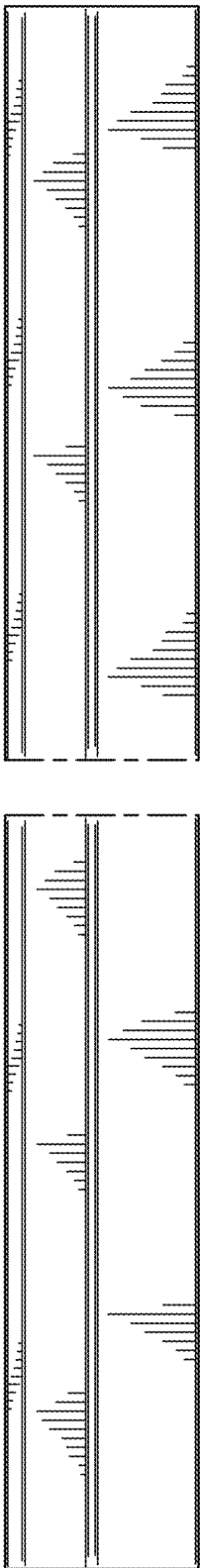


FIG. 5

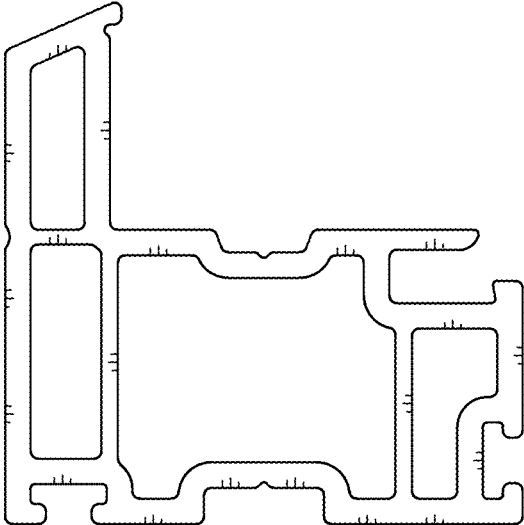


FIG. 6

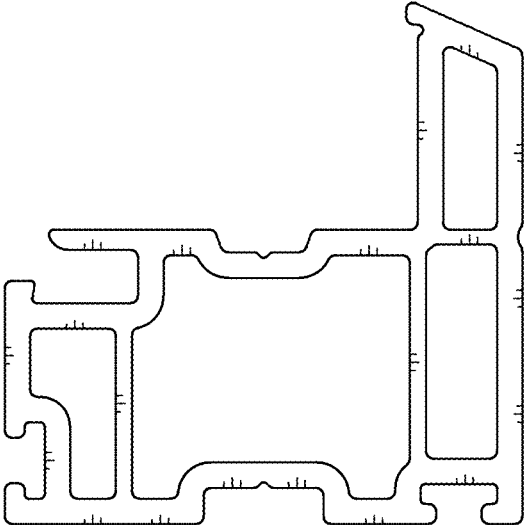


FIG. 7