



US00D369517S

# United States Patent [19] Ferlin

[11] Patent Number: **Des. 369,517**  
[45] Date of Patent: **\*\*May 7, 1996**

[54] **SEALED GAS BURNER**  
[75] Inventor: **William J. Ferlin**, Plymouth, Mich.  
[73] Assignee: **Lincoln Brass Works, Inc.**, Detroit, Mich.  
[\*\*] Term: **14 Years**  
[21] Appl. No.: **17,841**  
[22] Filed: **Jan. 24, 1994**  
[52] U.S. Cl. .... **D7/407**  
[58] Field of Search ..... **D7/402, 407; 126/39 E, 126/39 H, 39 R, 39 M, 40**

5,052,920 10/1991 Warren et al. .  
5,083,915 1/1992 Riehl .  
5,085,202 2/1992 Riehl .  
5,112,218 5/1992 Sigler .  
5,119,802 6/1992 Cherry et al. .  
5,125,390 6/1992 Riehl .  
5,133,334 7/1992 Riehl .  
5,139,417 8/1992 Ghassemzadeh .  
5,149,262 9/1992 Riehl .  
5,152,276 10/1992 Brock et al. .  
5,160,255 11/1993 Sigler .  
5,160,256 11/1992 Riehl .  
5,186,158 2/1993 Ferlin .  
5,266,026 11/1993 Riehl ..... 126/39 E  
5,364,264 11/1994 Kwiatek ..... 126/39 E

[56] **References Cited**  
U.S. PATENT DOCUMENTS

D. 188,153 6/1960 Jinhoff ..... D7/407  
D. 191,085 8/1961 Kindl et al. .... D7/407  
D. 228,766 10/1973 Stohrer ..... D7/407  
D. 236,418 8/1975 Duperow et al. .... D7/407  
3,289,731 12/1966 Geber .  
4,518,346 5/1985 Pistien .  
4,565,523 1/1986 Berkelder .  
4,572,154 2/1986 Schweitzer .  
4,626,196 12/1986 Strohrer, Jr. .  
4,627,411 12/1986 Mertler .  
4,810,188 3/1989 Kwiatek .  
4,846,671 7/1989 Kwiatek .  
5,002,038 3/1991 Riehl .  
5,040,970 8/1991 Riehl .

*Primary Examiner*—Ruth McInroy  
*Attorney, Agent, or Firm*—Harness, Dickey & Pierce

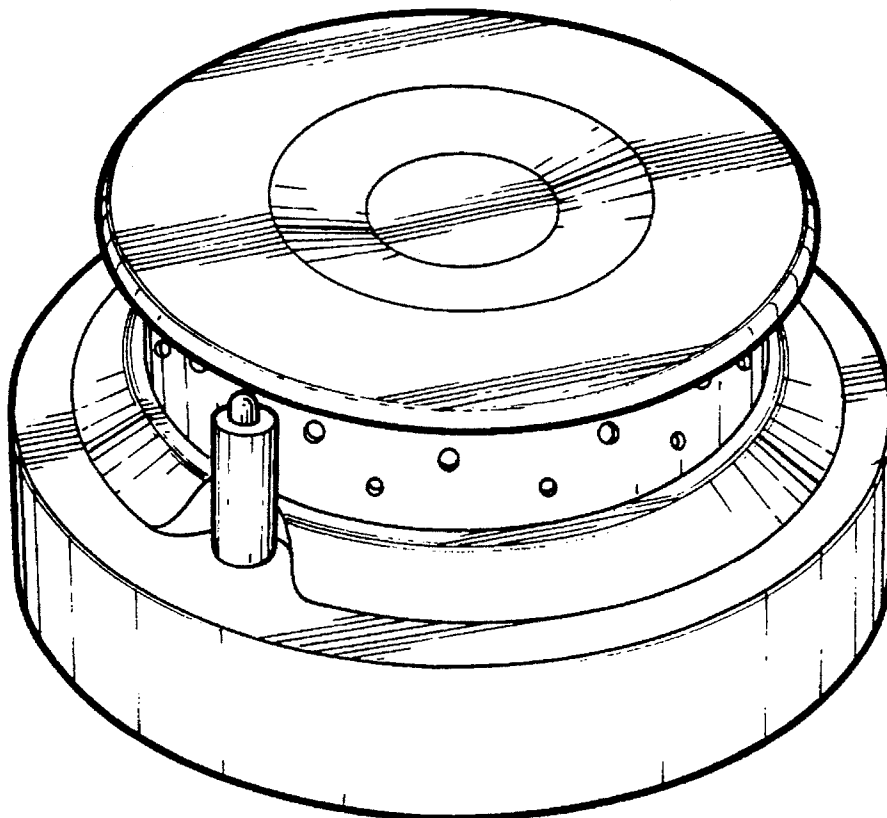
[57] **CLAIM**

The ornamental design for a sealed gas burner, as shown and described.

**DESCRIPTION**

FIG. 1 is a perspective view of a sealed gas burner showing my new design;  
FIG. 2 is a front elevational view thereof;  
FIG. 3 is a top plan view thereof; and,  
FIG. 4 is a rear elevational view thereof.  
The undisclosed bottom is plain and unornamented.

**1 Claim, 2 Drawing Sheets**



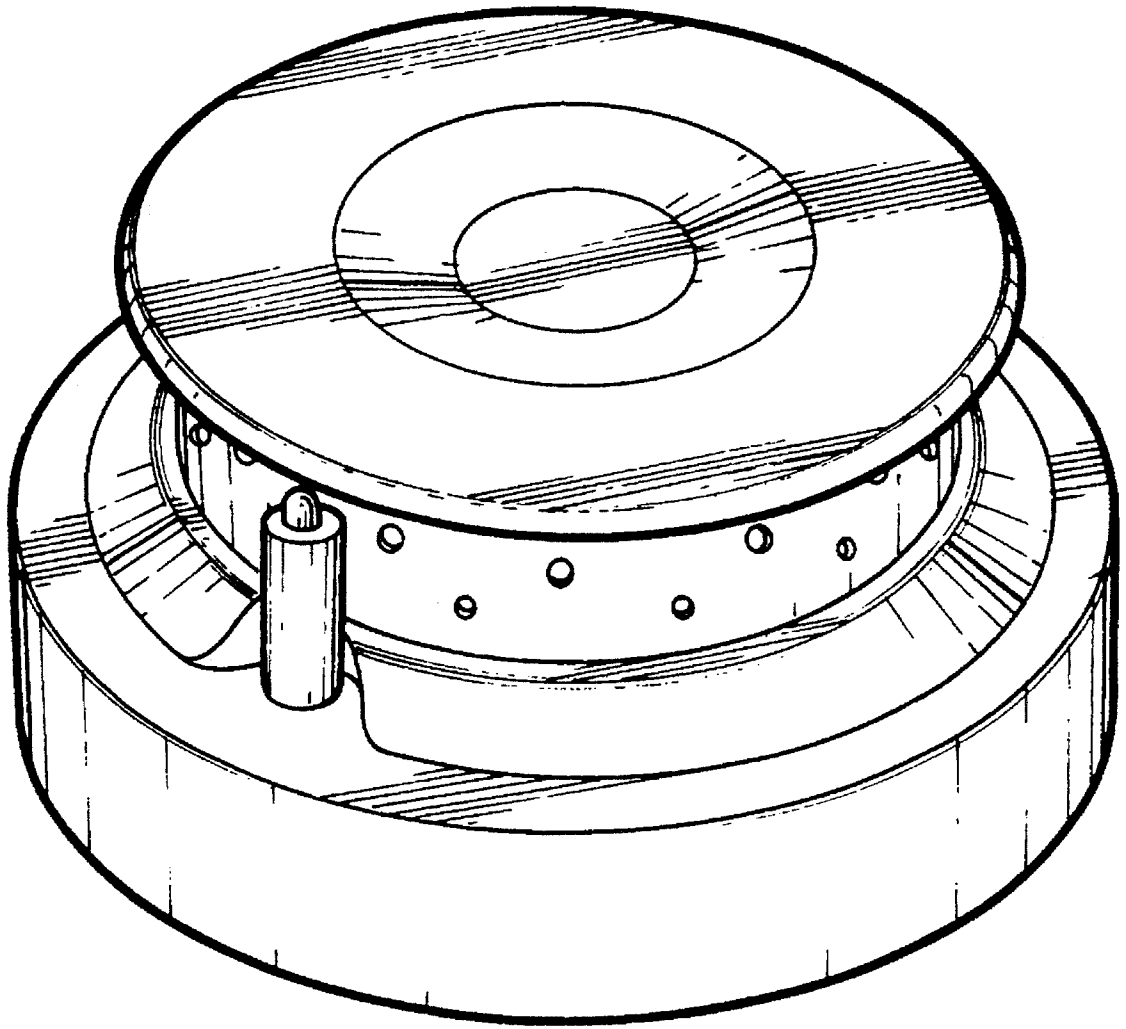


Fig-1

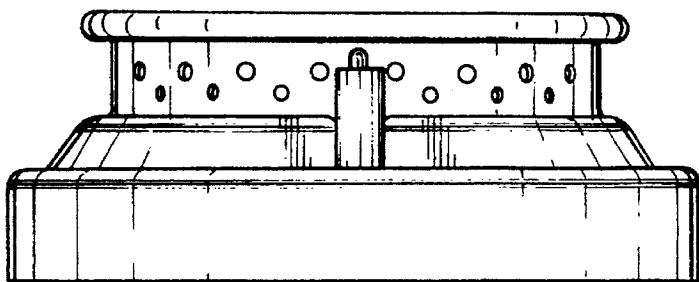


Fig-2

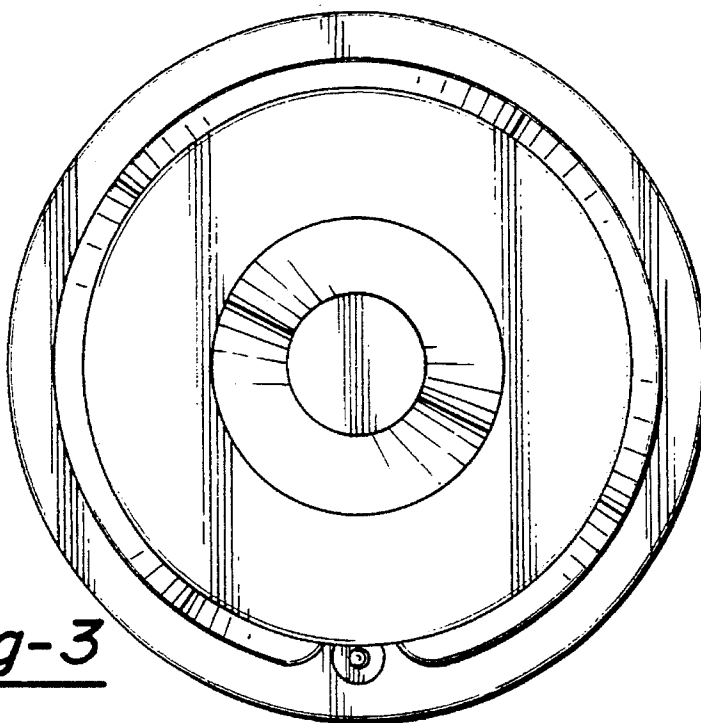


Fig-3

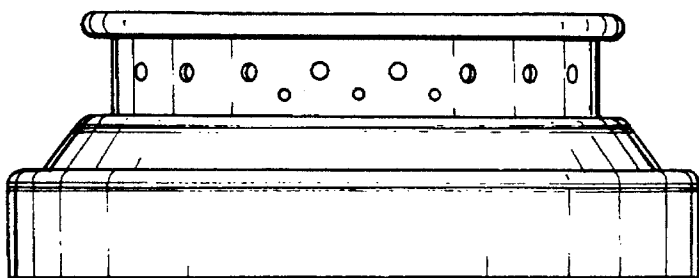


Fig-4