



US00D990225S

(12) **United States Design Patent**
Shewan et al.

(10) **Patent No.:** **US D990,225 S**

(45) **Date of Patent:** **** Jun. 27, 2023**

(54) **BAKEWARE LID**

(71) Applicant: **Helen of Troy Limited**, St. Michael (BB)

(72) Inventors: **Erik Shewan**, Tarrytown, NY (US);
Juliette Laroche, New York, NY (US)

(73) Assignee: **Helen of Troy Limited**, St. Michael (BB)

(**) Term: **15 Years**

(21) Appl. No.: **29/817,238**

(22) Filed: **Nov. 30, 2021**

(51) **LOC (14) Cl.** **07-02**

(52) **U.S. Cl.**

USPC **D7/391**; D9/435

(58) **Field of Classification Search**

USPC D3/202, 323; D7/213, 300, 300.1, 302, D7/303, 305, 314, 316, 317, 319, 320, D7/321, 322, 354, 358, 361, 387, 391, D7/392.1, 393, 394, 396.2, 397, 398, 399, D7/413, 414, 507, 509, 510, 511, 523, D7/601, 602, 605, 606, 607, 608, 615, D7/619.1, 620, 622, 629, 630, 633, 703, D7/705, 706, 707, 708, 708.1, 900, 372, D7/412, 554.3; D9/434-447, 452, 453, D9/503, 516, 531, 719, 772, 905, 425
CPC A47J 2027/008; A47J 2027/043; A47J 27/08; A47J 27/0804; A47J 27/0808; A47J 27/0815; A47J 27/092; A47J 27/13; A47J 31/44; A47J 31/4407; A47J 31/58; A47J 36/00; A47J 36/06; A47J 36/062; A47J 36/064; A47J 36/066; A47J 36/10; A47J 37/101; A47J 37/103; A47J 37/128; A47J 41/00; A47J 41/0005; A47J 41/0011; A47J 41/0027; A47J 41/0083; A47J 41/0088; A47J 42/38; A47J 43/27; A47J 47/02; A47J 47/04; A47J 47/06; A47J 47/08; A47J 47/10; A47J 2201/00; A47G 19/2266;

(Continued)

(56) **References Cited**

U.S. PATENT DOCUMENTS

2,432,835 A * 12/1947 Coyle B65D 43/0233
220/619

4,256,240 A 3/1981 Woinarski
(Continued)

FOREIGN PATENT DOCUMENTS

GB 6210694 * 5/2022

OTHER PUBLICATIONS

OXO Good Grips, posted Aug. 9, 2022 [online], [retrieved Apr. 17, 2023]. Retrieved from internet, <https://www.amazon.com/OXO-Good-Grips-Silicone-Bakeware/dp/B0B94JY1WJ?th=1> (Year: 2022).*

(Continued)

Primary Examiner — Nicole C Shiflet

Assistant Examiner — Yen Le Southwood

(74) *Attorney, Agent, or Firm* — Rankin, Hill & Clark LLP

(57) **CLAIM**

The ornamental design for a bakeware lid, as shown and described.

DESCRIPTION

FIG. 1 is a perspective view of a bakeware lid showing our new design;

FIG. 2 is a front elevation view of FIG. 1;

FIG. 3 is a rear elevation view of FIG. 1;

FIG. 4 is a left side elevation view of FIG. 1;

FIG. 5 is a right side elevation view of FIG. 1;

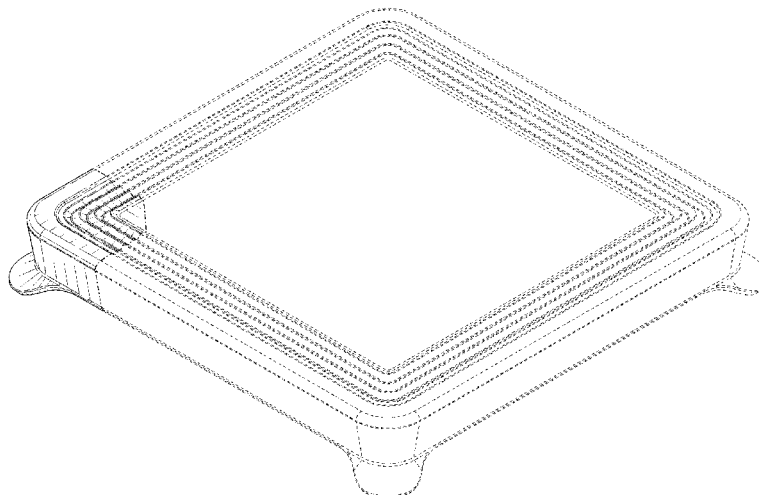
FIG. 6 is a top plan view of FIG. 1;

FIG. 7 is a bottom plan view of FIG. 1; and,

FIG. 8 is a bottom perspective view of FIG. 1.

The broken lines in the drawings depict portions of the bakeware lid that form no part of the claimed design.

1 Claim, 5 Drawing Sheets



(58) **Field of Classification Search**

CPC B65D 5/64; B65D 5/643; B65D 5/6611;
 B65D 5/6673; B65D 5/6602; B65D
 5/6626; B65D 5/6635; B65D 5/6644;
 B65D 5/6647; B65D 5/665; B65D
 5/6658; B65D 5/6652; B65D 23/10;
 B65D 23/104; B65D 23/108; B65D
 25/2867; B65D 25/2882; B65D 25/32;
 B65D 25/2876; B65D 25/2888; B65D
 25/40; B65D 25/42; B65D 25/46; B65D
 25/465; B65D 77/283; B65D 81/38;
 B65D 2543/00046; B65D 2543/00055;
 B65D 2543/00092; B65D 2543/00101;
 B65D 2543/00592; B65D 51/1627; B65D
 43/0233; B65D 51/28; F25D 3/08

See application file for complete search history.

7,299,941	B2	11/2007	McMahon, III	
7,866,502	B2 *	1/2011	Maxwell	B65D 51/1627 220/360
D725,433	S *	3/2015	Singh	D7/391
9,340,330	B2	5/2016	LeBoeuf	
D801,110	S *	10/2017	Sarnoff	D7/391
9,878,830	B2	1/2018	David	
D811,812	S *	3/2018	Sarnoff	D7/392.1
D912,530	S *	3/2021	Riedel	D9/425
D931,738	S *	9/2021	Riedel	D9/425
2008/0197134	A1 *	8/2008	Maxwell	B65D 51/1627 220/780
2009/0206080	A1	8/2009	Ribi	
2010/0170204	A1	7/2010	Alzheimer	
2012/0118893	A1	5/2012	Yun	
2013/0233855	A1 *	9/2013	DeSiena	B65D 51/28 220/315

OTHER PUBLICATIONS

(56)

References Cited

U.S. PATENT DOCUMENTS

4,718,571	A	1/1988	Bordner	
4,976,370	A	12/1990	Cassel	
D354,435	S *	1/1995	Krupa	D9/425
D372,174	S *	7/1996	Arduini	D7/629
D427,063	S *	6/2000	May	D9/425
D432,859	S *	10/2000	Hayes	D7/392.1
6,260,729	B1	7/2001	Mitchell	
D485,468	S *	1/2004	Roth	F25D 3/08 D7/392.1

Packwood Lid, posted date unknown [online], [retrieved Apr. 17, 2023]. Retrieved from internet, <https://www.hubert.com/product/PPA.210APOPL1000/Packwood-Lid-for-210APOPL1000200cs>.
 High-Heat Silicone Flexsil, date of oldest review May 1, 2017 [online], [retrieved Apr. 17, 2023]. Retrieved from internet, <https://www.webstaurantstore.com/1-6-size-hi-heat-silicone-flexsil-food-pan-cover/407FLXLID6.html>? (Year: 2017).
 Stretchy Turtle Silicone Lid, posted date unknown [online], [retrieved Apr. 17, 2023]. Retrieved from internet, <https://www.dailydealme.com/products/food-turtle-silicon-lids>.

* cited by examiner

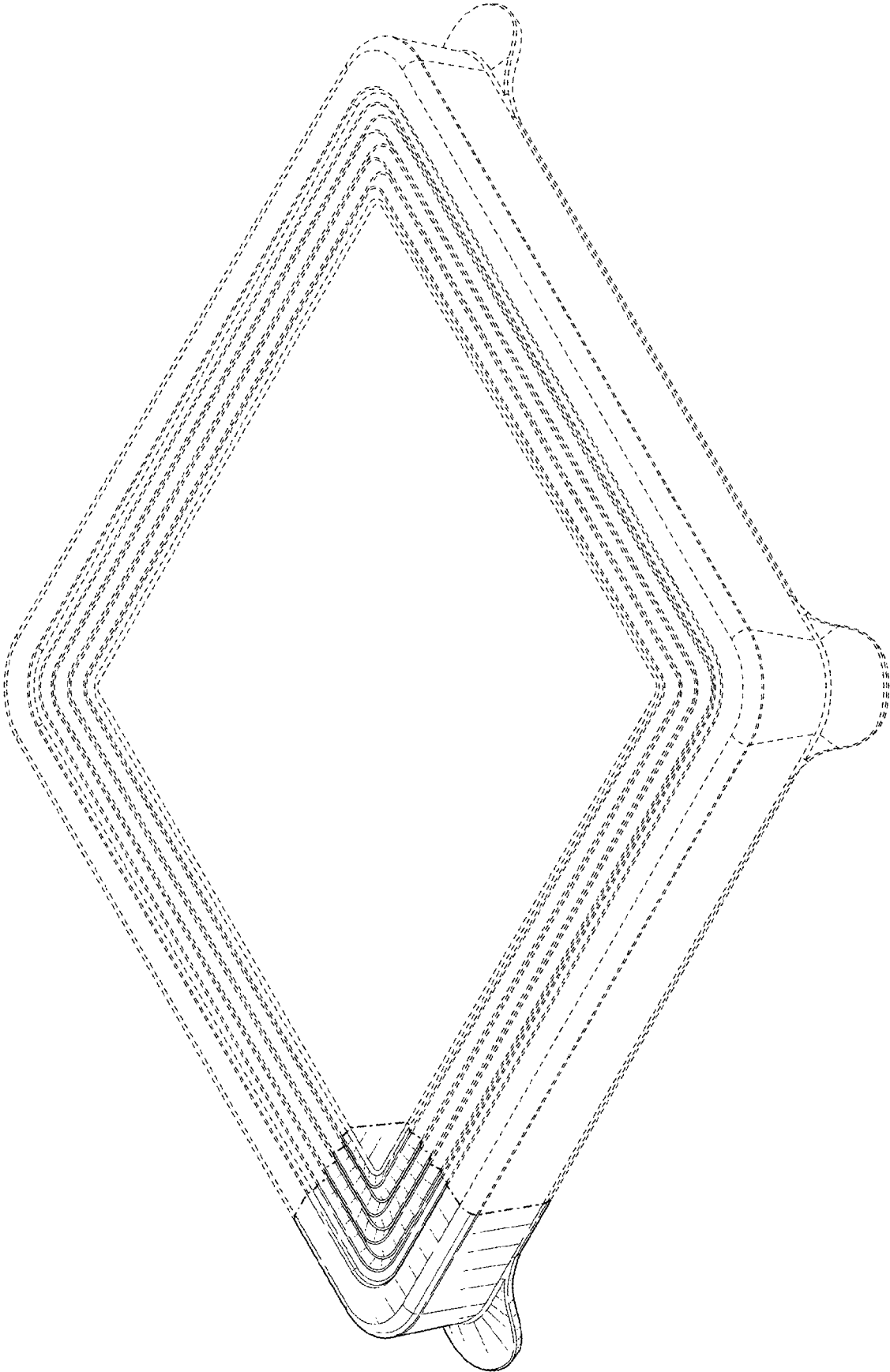


FIG. 1

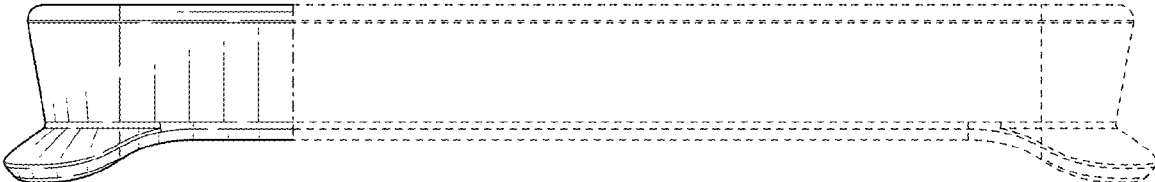


FIG. 2

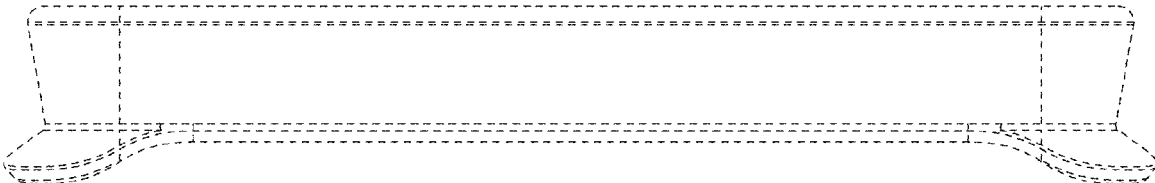


FIG. 3

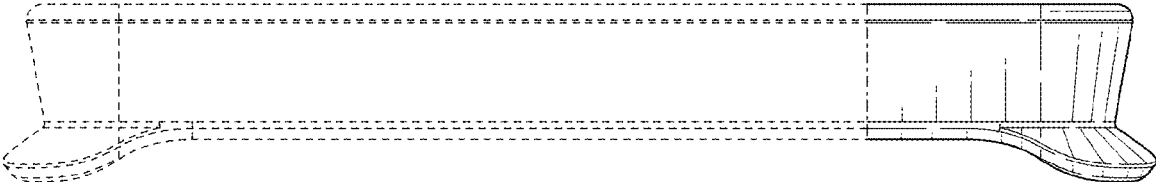


FIG. 4

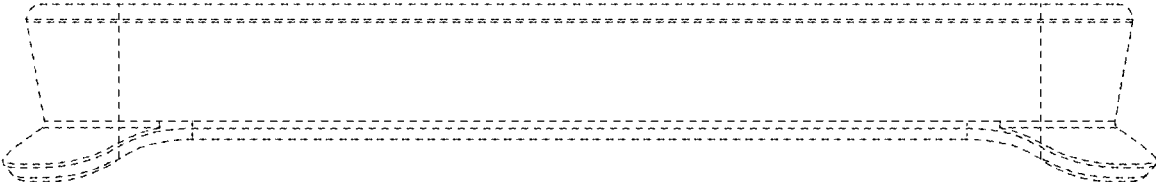


FIG. 5

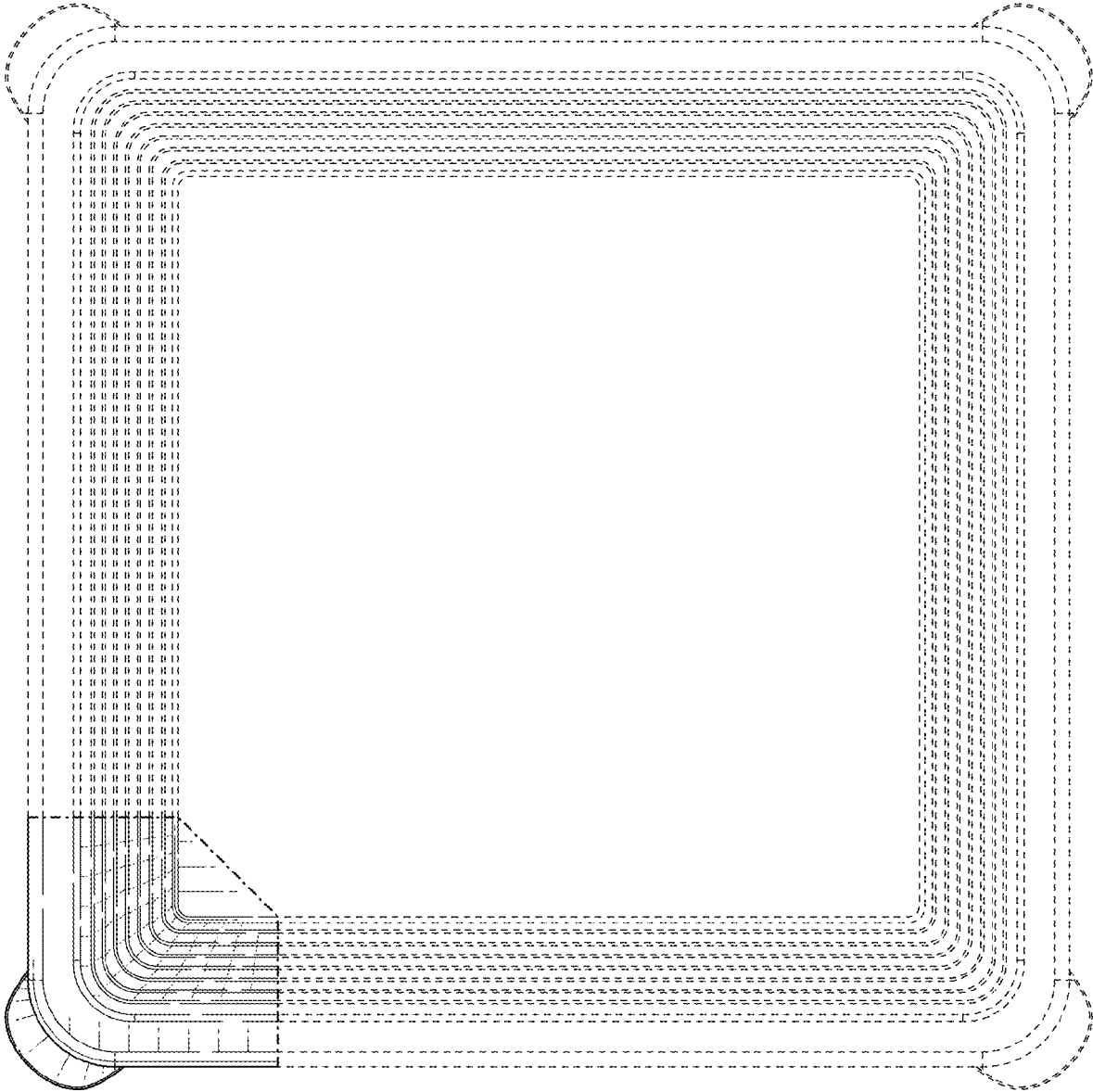


FIG. 6

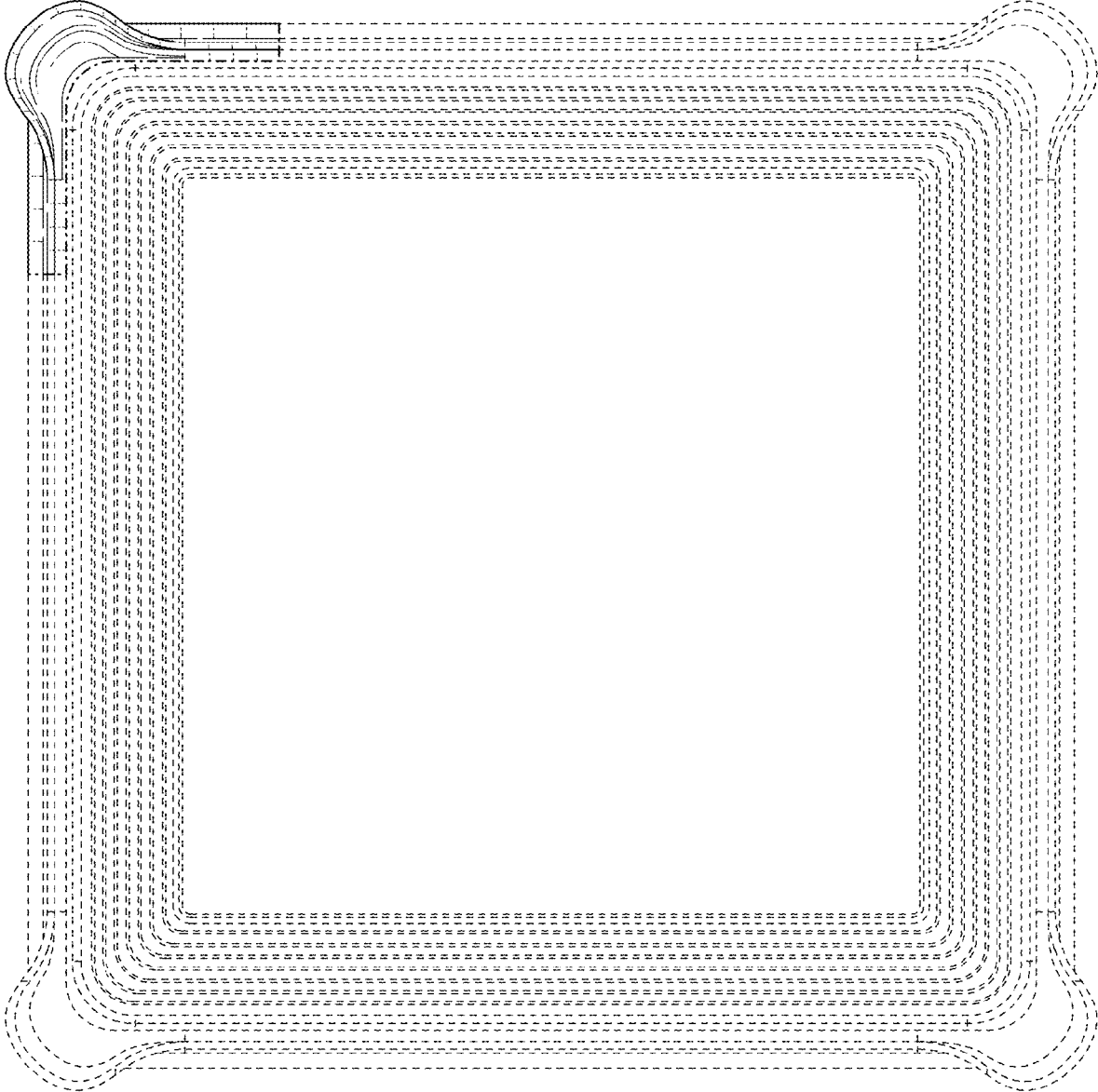


FIG. 7

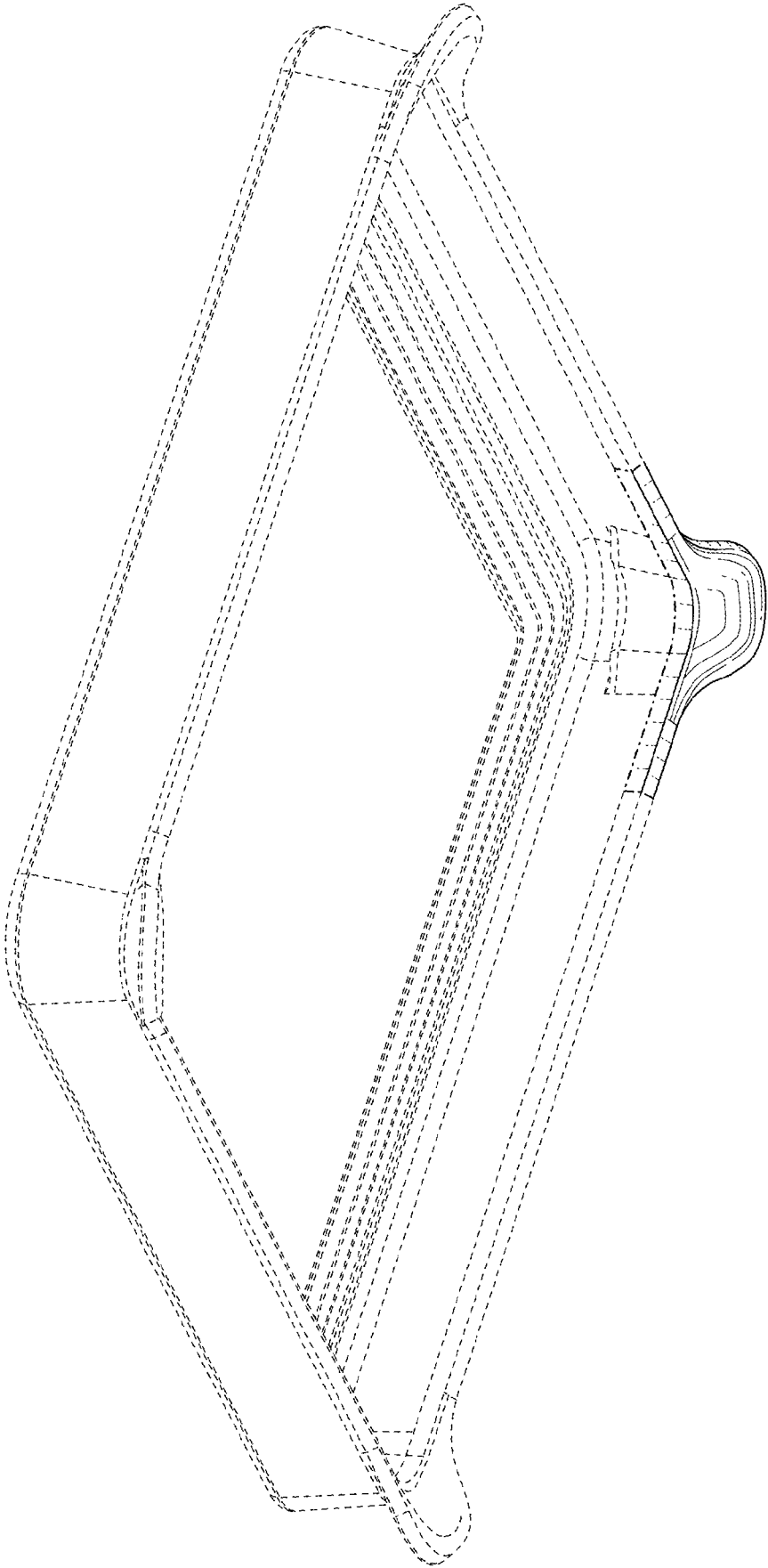


FIG. 8