



(12) **United States Design Patent**
Manis

(10) **Patent No.:** **US D828,158 S**
(45) **Date of Patent:** **** Sep. 11, 2018**

(54) **LID WITH SCOOP RETAINER**
(71) Applicant: **Leslie D. Manis**, Kingsport, TN (US)
(72) Inventor: **Leslie D. Manis**, Kingsport, TN (US)
(**) Term: **15 Years**
(21) Appl. No.: **29/584,765**

D628,068 S * 11/2010 Gonzalez Sanchez D9/449
D645,742 S * 9/2011 Sharma D9/435
8,313,001 B1 11/2012 Reid et al.
D690,200 S * 9/2013 Arand D9/449
D717,104 S * 11/2014 Redfern D7/392.1
D731,241 S * 6/2015 Yessin D7/392.1
D767,329 S * 9/2016 Mock D7/392.1
D774,887 S * 12/2016 Torrison D9/416
D777,034 S * 1/2017 Sill D9/454
2005/0035122 A1 2/2005 Ekkert

(22) Filed: **Nov. 17, 2016**
(51) **LOC (11) Cl.** **09-07**
(52) **U.S. Cl.**
USPC **D9/436; D9/454**
(58) **Field of Classification Search**
USPC D7/300, 300.1, 303, 317, 321, 387, 392,
D7/392.1, 396.1, 396.2, 397, 511, 602,
D7/401.2, 637, 653, 691; D9/434-436,
D9/440, 443-445, 447, 454, 455, 499,
D9/449, 715-721
CPC B65D 51/24
See application file for complete search history.

OTHER PUBLICATIONS

Web Packaging. Weatherchem creates the innovative MegaFlap closure, with integrated scoop. Nov. 21, 2011 [earliest online date], [site visited Feb. 22, 2018]. Available from Internet, <URL:https://goo.gl/4fLaSz>. (Year: 2011).*

(Continued)

Primary Examiner — Eric L Goodman
Assistant Examiner — Darcey E Heflin
(74) *Attorney, Agent, or Firm* — Cramer Patent & Design, PLLC; Aaron R. Cramer

(56) **References Cited**

U.S. PATENT DOCUMENTS

| | | | | |
|-----------|-----|---------|------------------|----------------------|
| 1,768,771 | A | 7/1930 | La Tourette | |
| 2,738,900 | A | 3/1956 | Wenger | |
| 3,312,366 | A | 4/1967 | Poris | |
| 3,409,168 | A * | 11/1968 | Chmielowiec | B65D 7/34 220/614 |
| 3,722,779 | A | 3/1973 | Chang | |
| D285,056 | S * | 8/1986 | Allen | D9/454 |
| D320,559 | S * | 10/1991 | Olson | D9/435 |
| D367,818 | S * | 3/1996 | Zana | D9/454 |
| D369,109 | S * | 4/1996 | Proshan | D7/392.1 |
| D373,927 | S * | 9/1996 | Kramer | D7/391 |
| 5,706,974 | A | 1/1998 | Murdick et al. | |
| D471,453 | S * | 3/2003 | Stodd | D9/434 |
| 7,040,500 | B2 | 5/2006 | Kipperman et al. | |
| D522,857 | S * | 6/2006 | Tabeshnekoo | D9/435 |

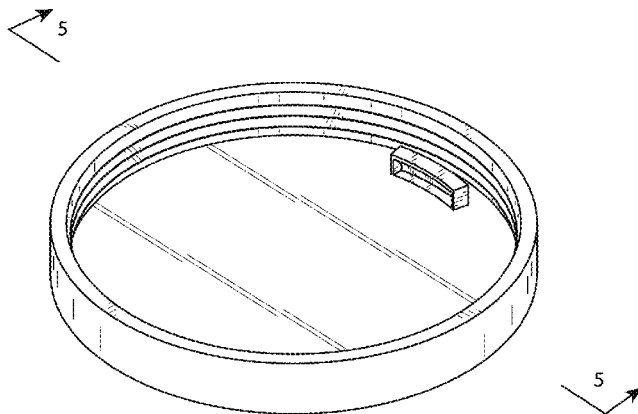
(57) **CLAIM**

The ornamental design for a lid with scoop retainer, as shown and described.

DESCRIPTION

FIG. 1 is a perspective top front side view of a lid with scoop retainer, showing my new design;
FIG. 2 is a front side elevation view, with the rear side elevation view, right side elevation view and left side elevation view being identical;
FIG. 3 is a top side plan view thereof;
FIG. 4 is a bottom side plan view thereof; and,
FIG. 5 is a sectional right side elevation view of FIG. 1 taken along line 5-5.

1 Claim, 5 Drawing Sheets



(56)

References Cited

OTHER PUBLICATIONS

Web Packaging. Nutri-Line: Innovative lids and scoops for enhanced hygiene and comfort. Mar. 13, 2014 [earliest online date], [site visited Feb. 22, 2018]. Available from Internet, <URL: <https://goo.gl/dCTim>>. (Year: 2014).*

Similac SimplePac. Product Listing [online]. Abbott Laboratories, Limited, 2015 [retrieved on Sep. 1, 2016]. Retrieved from the Internet: <https://similac.ca/en/products/simplepac>.

* cited by examiner

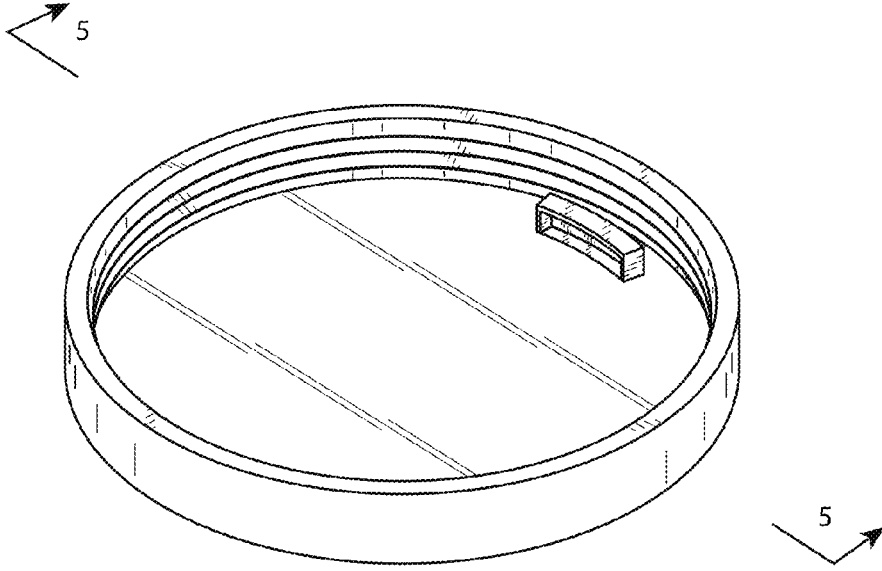


FIG. 1



FIG. 2

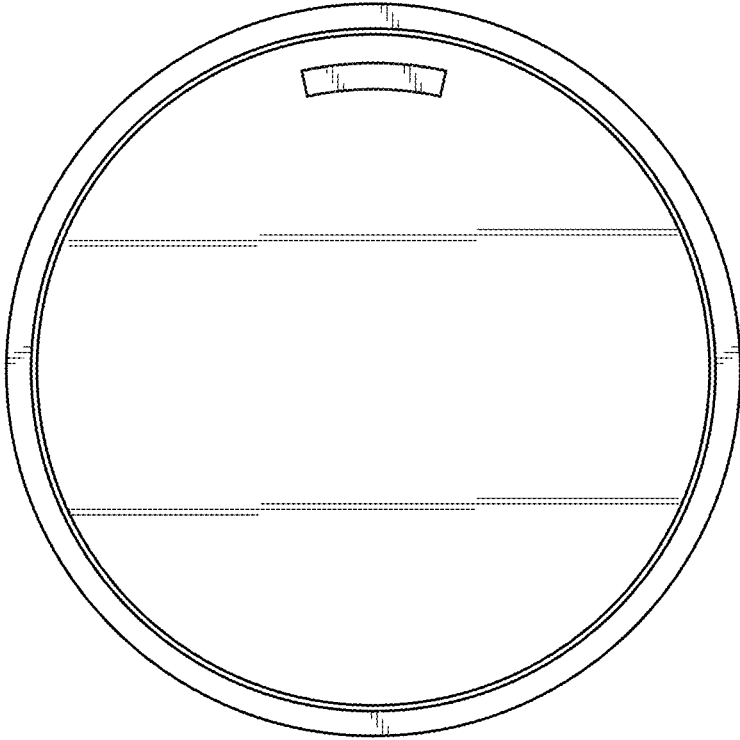


FIG. 3

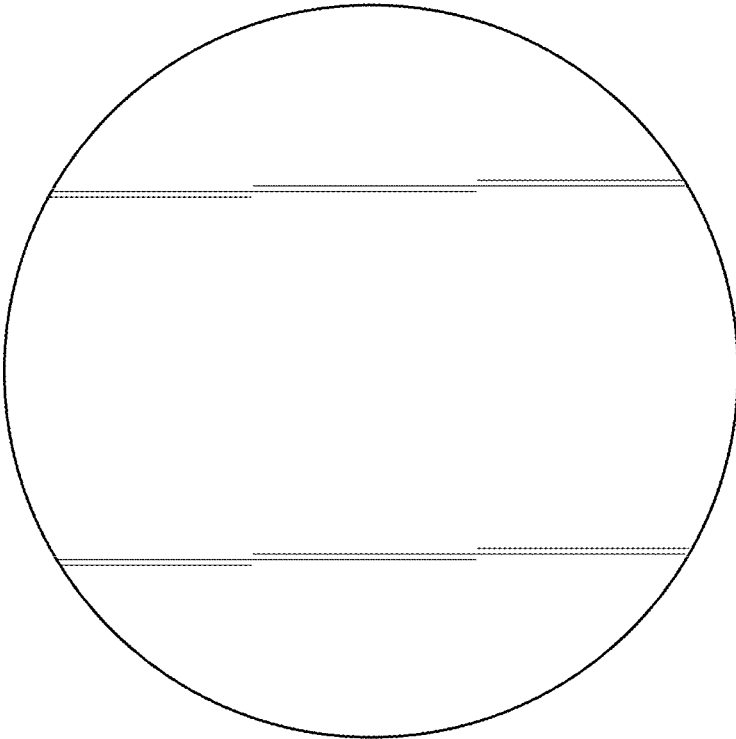


FIG. 4

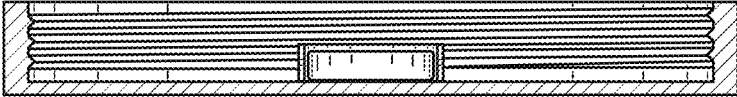


FIG. 5