



US00D592025S

(12) **United States Design Patent**  
**Snowball**

(10) **Patent No.:** **US D592,025 S**

(45) **Date of Patent:** **\*\* May 12, 2009**

(54) **POWERED PLANER TOOL**

D570,661 S \* 6/2008 O'Hern ..... D8/62

(75) Inventor: **Colin Snowball**, York (GB)

\* cited by examiner

(73) Assignee: **GMCA Pty Ltd.**, Victoria (AU)

*Primary Examiner*—Antoine D Davis

(\*\*) Term: **14 Years**

(74) *Attorney, Agent, or Firm*—Woodward, Emhardt, Moriarty, McNett & Henry LLP

(21) Appl. No.: **29/321,131**

(57) **CLAIM**

(22) Filed: **Jul. 11, 2008**

The ornamental design for a powered planer tool, as shown and described.

(51) **LOC (9) Cl.** ..... **08-01**

(52) **U.S. Cl.** ..... **D8/62**

(58) **Field of Classification Search** ..... D8/62;  
451/456, 451, 359, 358, 357, 356, 355, 354,  
451/353, 352, 351, 344

See application file for complete search history.

**DESCRIPTION**

FIG. 1 is a perspective view of a powered planer tool showing my new design;

FIG. 2 is a right side view thereof;

FIG. 3 is a left side view thereof;

FIG. 4 is a front view thereof;

FIG. 5 is a rear view thereof;

FIG. 6 is a top view thereof; and,

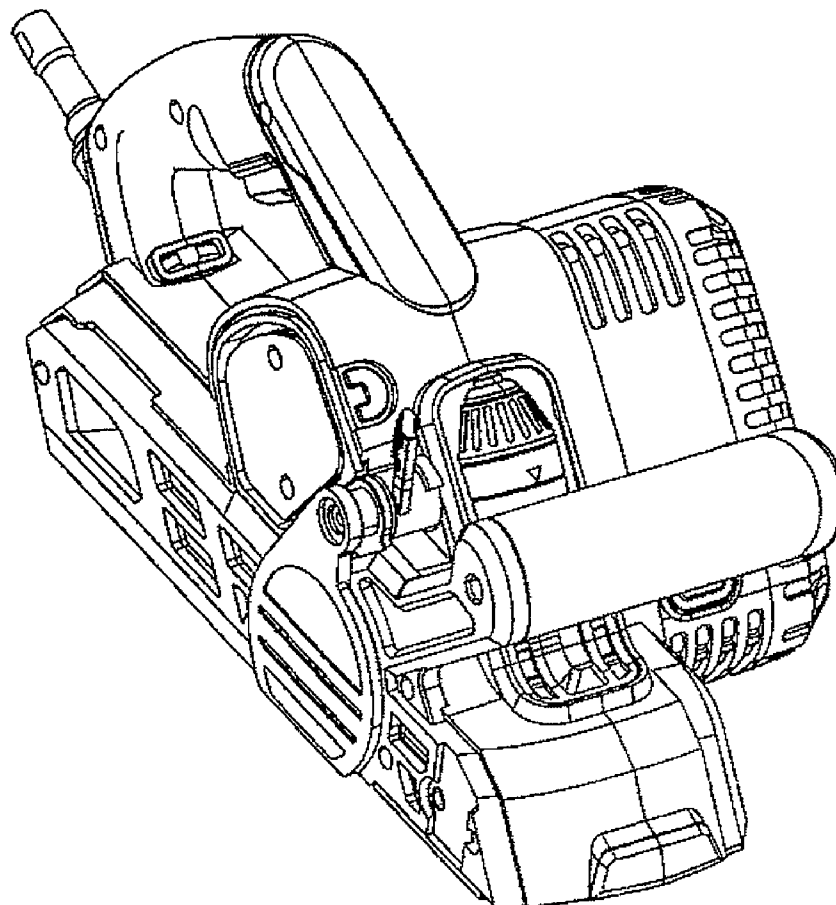
FIG. 7 is a bottom view thereof.

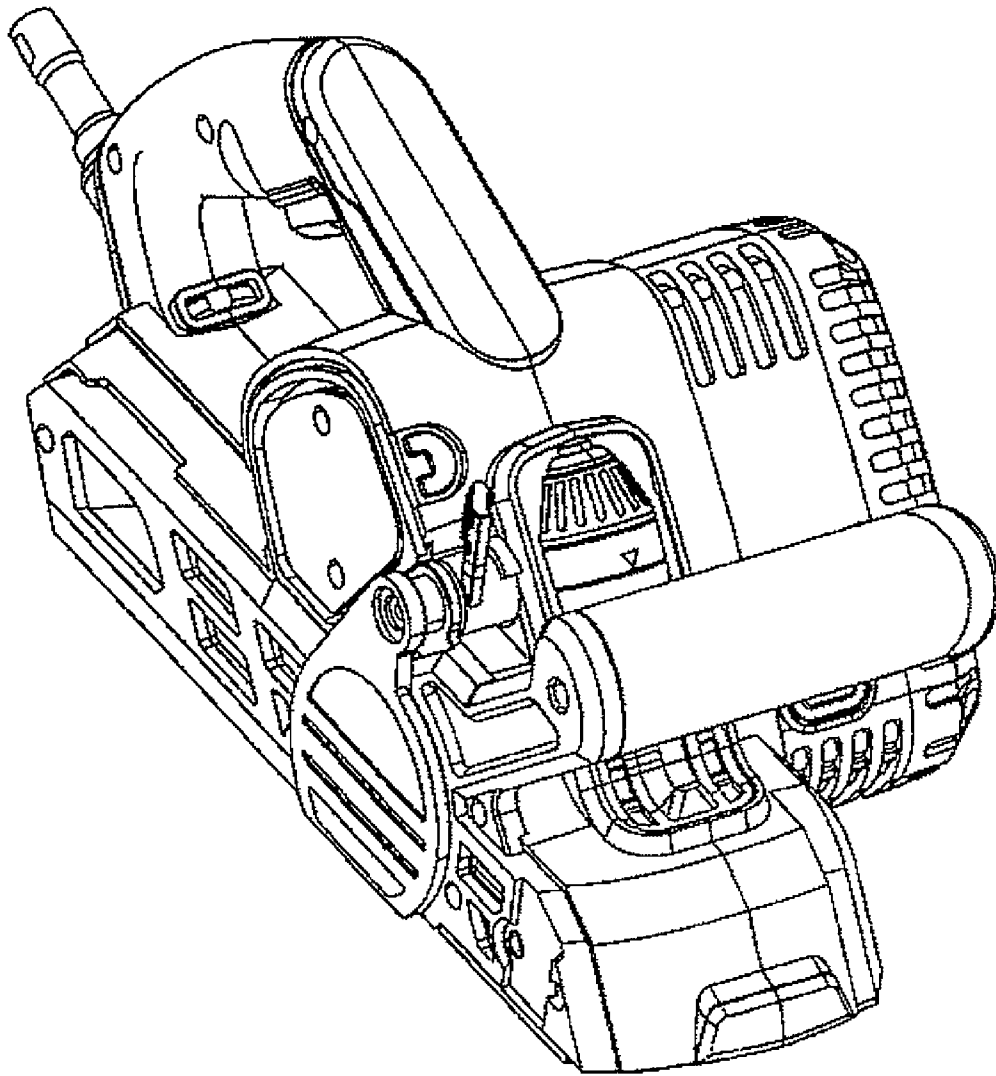
(56) **References Cited**

**U.S. PATENT DOCUMENTS**

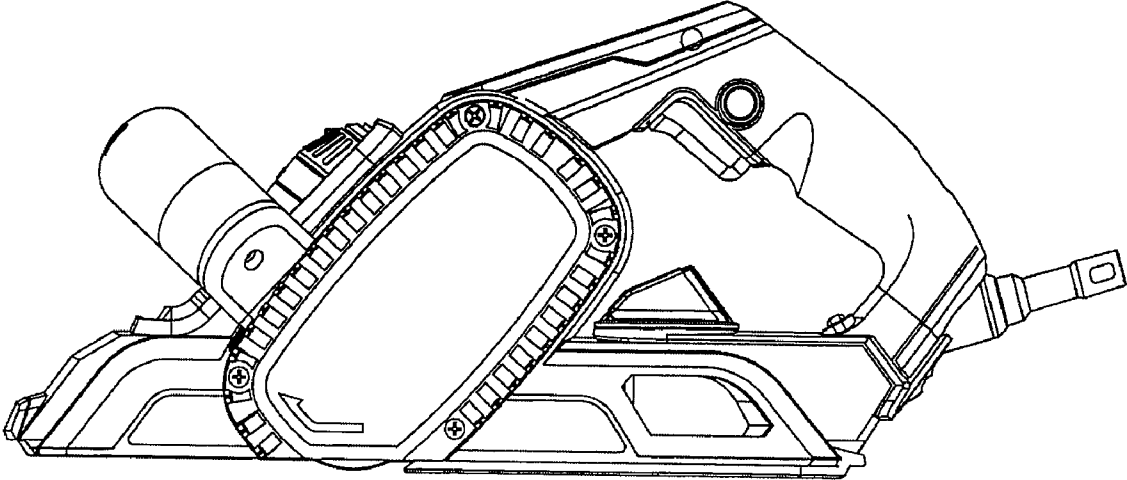
|                |         |                |       |         |
|----------------|---------|----------------|-------|---------|
| D529,357 S *   | 10/2006 | Qiu            | ..... | D8/62   |
| 7,179,158 B2 * | 2/2007  | Mastrobattista | ..... | 451/444 |
| D540,133 S *   | 4/2007  | Corcoran       | ..... | D8/62   |
| D559,641 S *   | 1/2008  | Hotta et al.   | ..... | D8/62   |
| 7,338,348 B2 * | 3/2008  | Melvin et al.  | ..... | 451/28  |

**1 Claim, 7 Drawing Sheets**

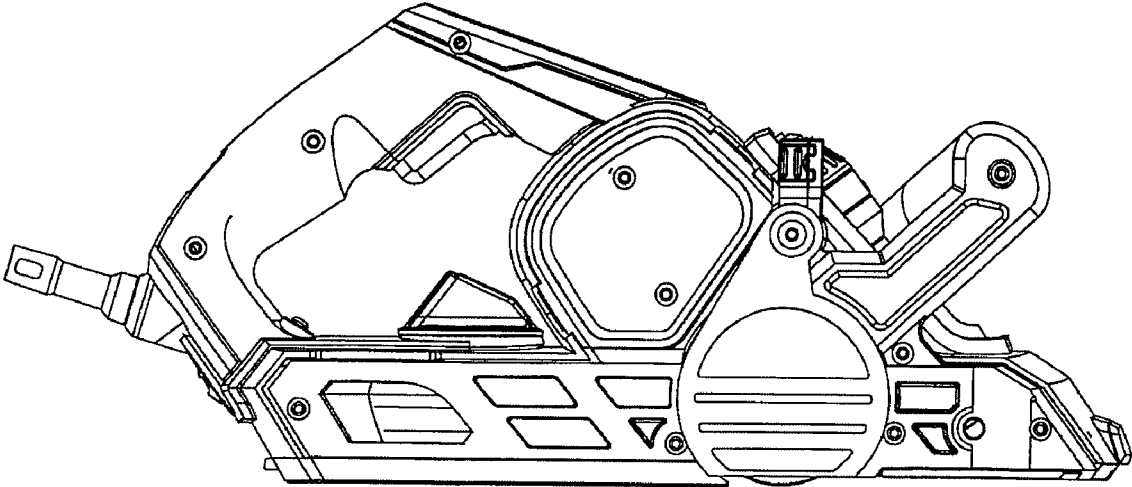




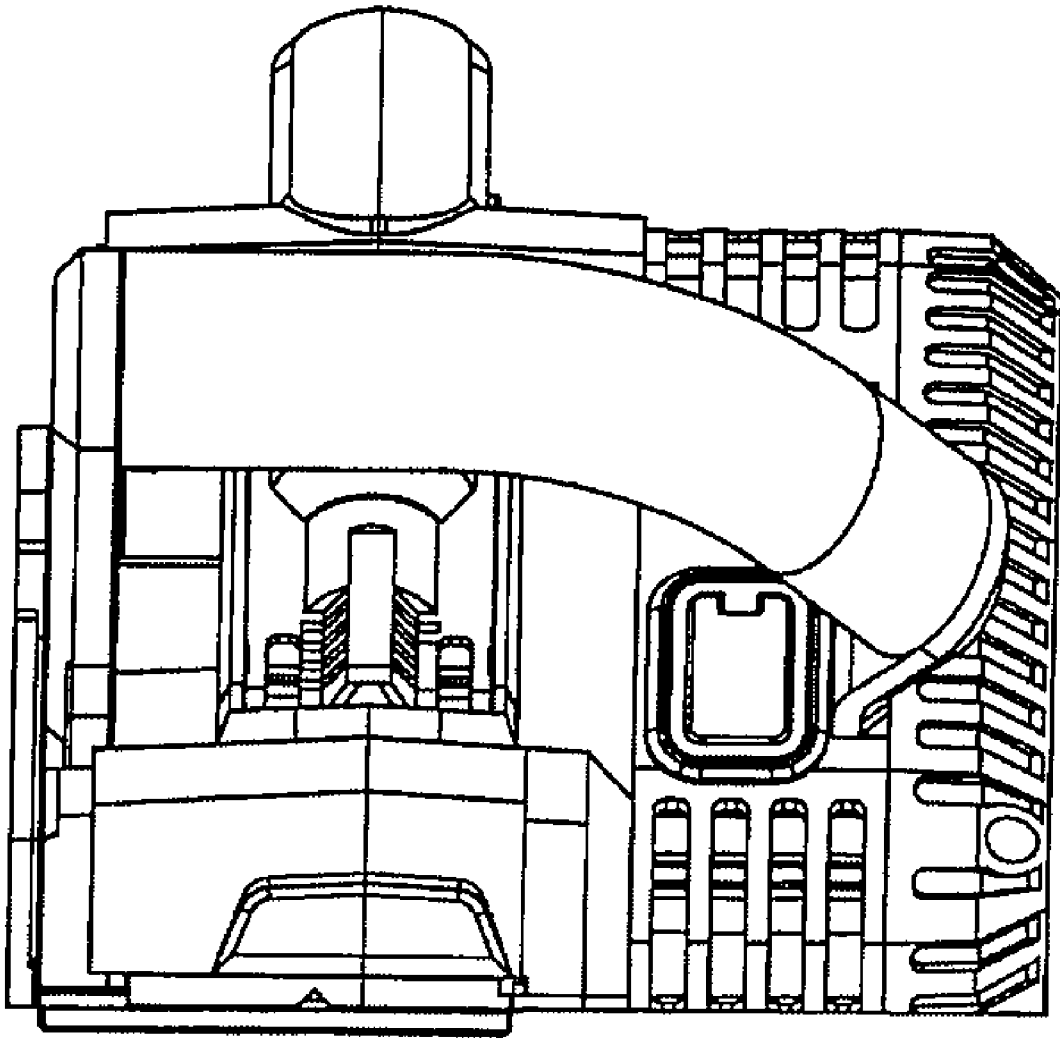
*Fig. 1*



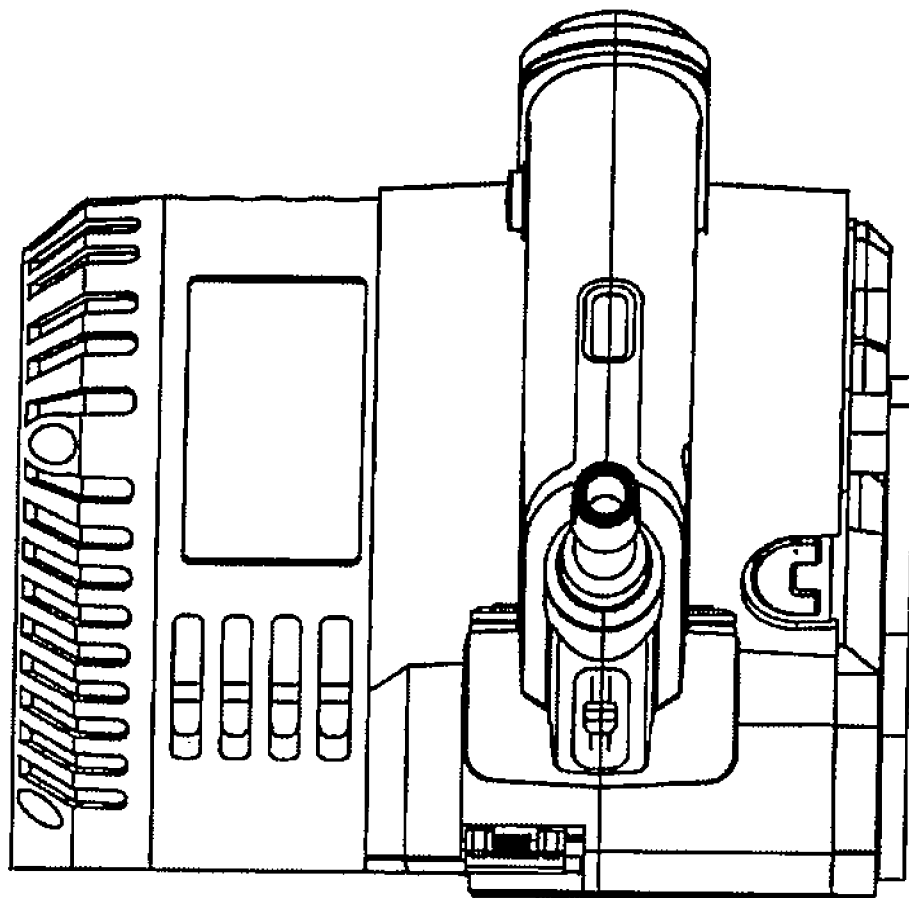
*Fig. 2*



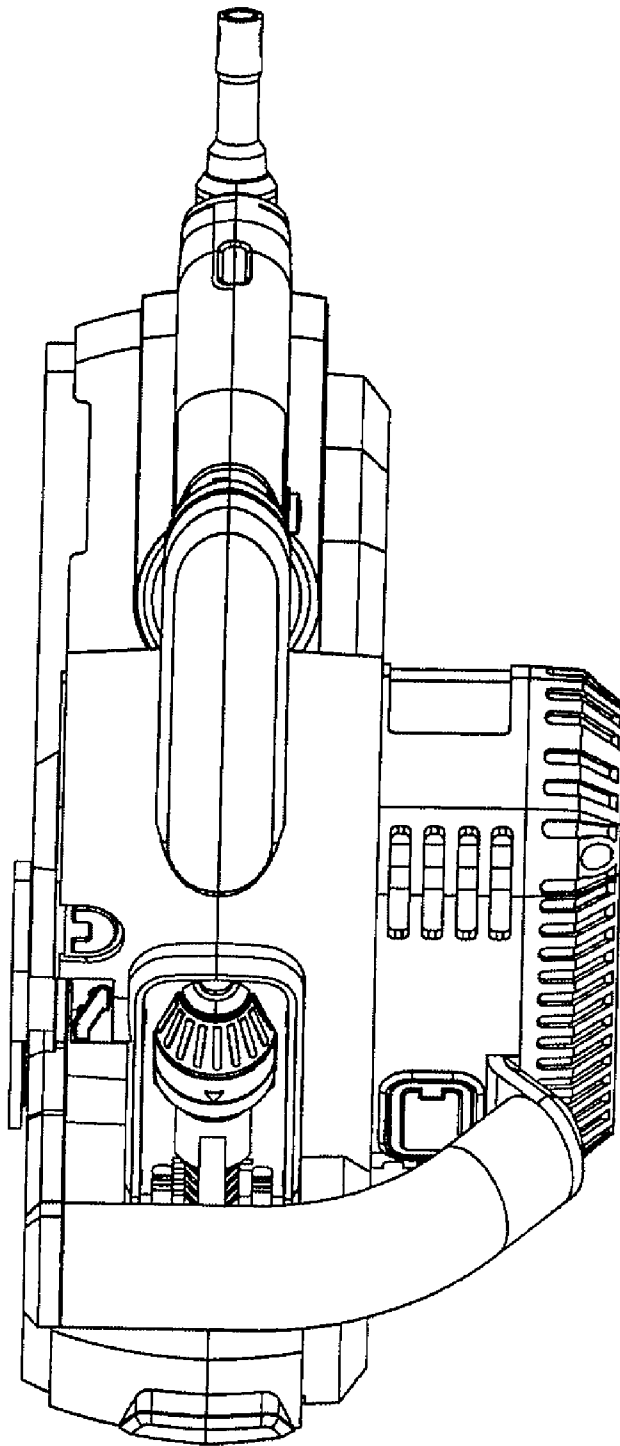
*Fig. 3*



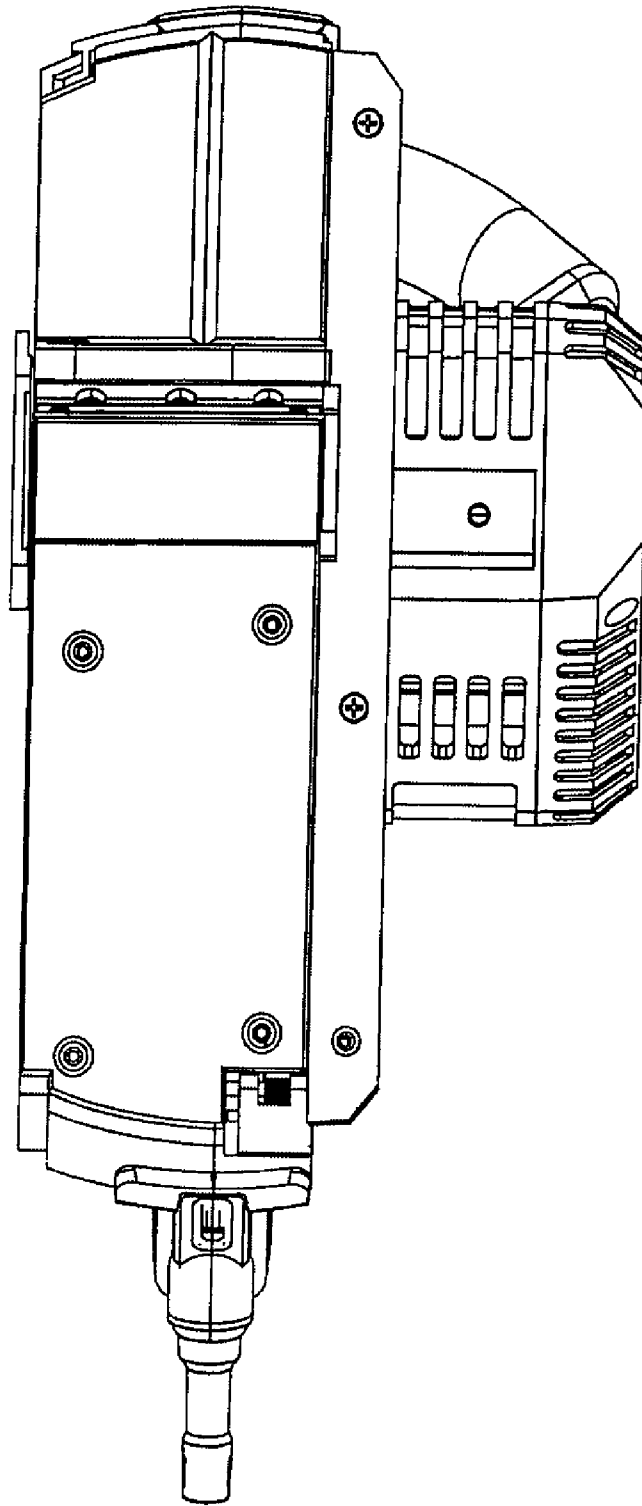
*Fig. 4*



*Fig. 5*



*Fig. 6*



*Fig.7*