



US00D946340S

(12) **United States Design Patent** (10) **Patent No.:** **US D946,340 S**
Jakobsen (45) **Date of Patent:** **** Mar. 22, 2022**

(54) **COMBINED BEVERAGE COOLER AND DISPENSER**

D597,605 S * 8/2009 Davis D20/1
D716,093 S * 10/2014 Jakeman D7/306
D860,268 S * 9/2019 Jakobsen D15/81

(Continued)

(71) Applicant: **Grad ApS**, Copenhagen (DK)

(72) Inventor: **Kenneth Holck Jakobsen**, Solrød Strand (DK)

OTHER PUBLICATIONS

Design No. 06-632-0101-0001, Aug. 14, 2006—Intellectual Property Corporation of Malaysia Publication Date—Jul. 5, 2007 Owner—Grindmaster Corporation, Designer—Thomas J. Pfeiffer WIPO, available at <https://www3.wipo.int/designdb/en/index.jsp> (Year: 2007).*

(Continued)

(73) Assignee: **Grad ApS**, Copenhagen (DK)

(**) Term: **15 Years**

(21) Appl. No.: **29/703,748**

Primary Examiner — Christian P. McLean
Assistant Examiner — Natalya M Rapundalo
(74) *Attorney, Agent, or Firm* — DiBerardino McGovern IP Group LLC

(22) Filed: **Aug. 29, 2019**

(51) **LOC (13) Cl.** **07-01**

(52) **U.S. Cl.**
USPC **D7/306**

(57) **CLAIM**

The ornamental design for a combined beverage cooler and dispenser, as shown and described.

(58) **Field of Classification Search**
USPC D7/300, 300.1, 302-322, 387, 397-398, D7/412-415, 510-511, 589-590, D7/598-600, 601, 602, 605, 619.1; D3/202; D9/417, 435, 447; D15/81; D20/4, 5; D23/201-202; D30/121, 129, D30/132-133; 222/129.1
CPC .. A01K 7/00; A01K 7/025; A47J 31/00; A47J 31/007; A47J 31/40; A47J 31/44; A47J 31/4425; A47J 31/46; A47J 31/50; B67D 1/0003; B67D 1/0004; B67D 1/0009; B67D 1/06; B67D 1/0857; B67D 3/00; B67D 3/0003; B67D 3/0009; B67D 3/0029; B67D 3/0032; B67D 3/0035; B67D 3/0038; E03B 9/20

DESCRIPTION

FIG. 1 is a front view.
FIG. 2 is a rear view.
FIG. 3 is a top view.
FIG. 4 is a bottom view.
FIG. 5 is a left side view.
FIG. 6 is a front left view.
FIG. 7 is a top right view.
FIG. 8 is a rear right top perspective view.
FIG. 9 is a front right top perspective view.
FIG. 10 is a left side view.
FIG. 11 is a left rear perspective view.
FIG. 12 is a top left view.
FIG. 13 is a front left top perspective view; and,
FIG. 14 is a front left top perspective view.
The broken lines in the Figures show portions of the combined beverage cooler and dispenser that form no part of the claimed design.

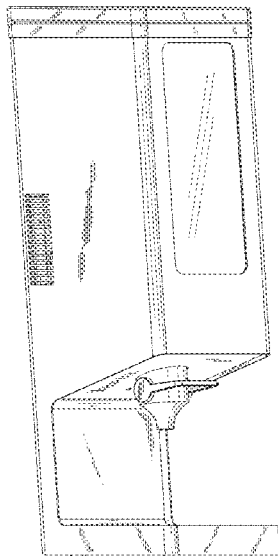
See application file for complete search history.

(56) **References Cited**

U.S. PATENT DOCUMENTS

D183,532 S * 9/1958 McCauley D7/311
D223,325 S * 4/1972 Mox D7/311
D231,808 S * 6/1974 Fossella D7/311

1 Claim, 14 Drawing Sheets



(56)

References Cited

U.S. PATENT DOCUMENTS

D861,406 S * 10/2019 Tsutsui B67D 1/0004
 D7/306
 D863,439 S * 10/2019 Mycroft A47J 31/402
 D20/1
 D893,234 S * 8/2020 Broen D7/306
 D909,129 S * 2/2021 DeRuntz D7/398
 D920,394 S * 5/2021 Stolarz D15/81
 2003/0213811 A1* 11/2003 Gertzman B67D 1/0004
 222/1
 2012/0111887 A1* 5/2012 Smeller A47J 31/402
 222/129.1
 2016/0304331 A1* 10/2016 Ench B67D 3/0061
 2019/0335921 A1* 11/2019 Jakobsen A47F 3/04

OTHER PUBLICATIONS

Design No. 153712, Mar. 24, 2015—Canadian Intellectual Property Office (CIPO) Publication Date—Mar. 24, 2015 Owner—PEPSICO, Inc. WIPO, available at <https://www3.wipo.int/designdb/en/index.jsp> (Year: 2015).*

Design No. 2011218, Jun. 2, 1990—Intellectual Property Office of the United Kingdom Publication Date—Jun. 4, 1991 Owner—The Coca-Cola Company DesignView, available at www.tmdn.org/tmdsview-web/welcome (Year: 1991).*

Design No. 2027700, Dec. 11, 1992—Intellectual Property Office of the United Kingdom Publication Date—Mar. 22, 1993 Owner—IMI Cornelius (UK) Limited DesignView, available at www.tmdn.org/tmdsview-web/welcome (Year: 1993).*

Design No. 306061310, Sep. 18, 2020—China National Intellectual Property Administration Publication Date—Sep. 18, 2020 Owner—Fuji Electric Co Ltd, Designer—Kajiwara Masahiro WIPO, available at <https://www3.wipo.int/designdb/en/index.jsp> (Year: 2020).* Bag-In-Box Drink Dispenser/Beverage Cooler, Alibaba, [online], [site visited Jun. 14, 2021], Available from internet URL: https://www.alibaba.com/product-detail/bag-in-box-drink-dispenser-beverage_62229758631.html (Year: 2021).*

Crathco D15-4 Refrigerated Drink Dispenser, Katom, [online], [site visited Jun. 14, 2021], Available from internet URL: https://www.katom.com/131-D154.html?gclid=EALalQobChM1oOHf-eWX8QIVBLSzCh0Kgg9BEAQYCSABEgLI8_D_BwE (Year: 2021).*

* cited by examiner

FIG. 1

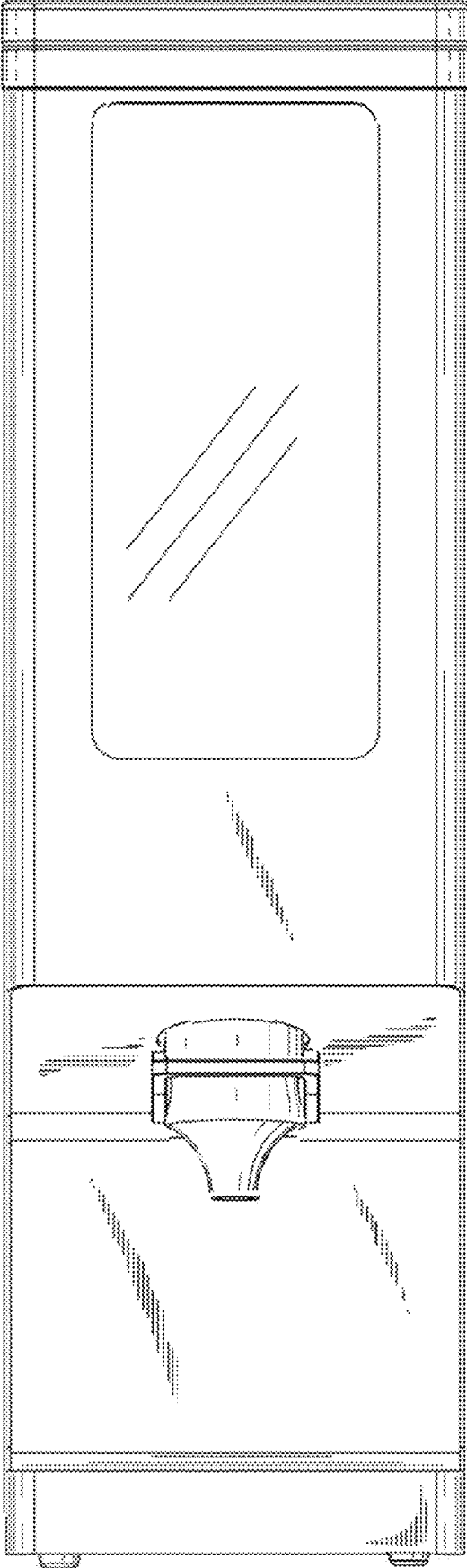
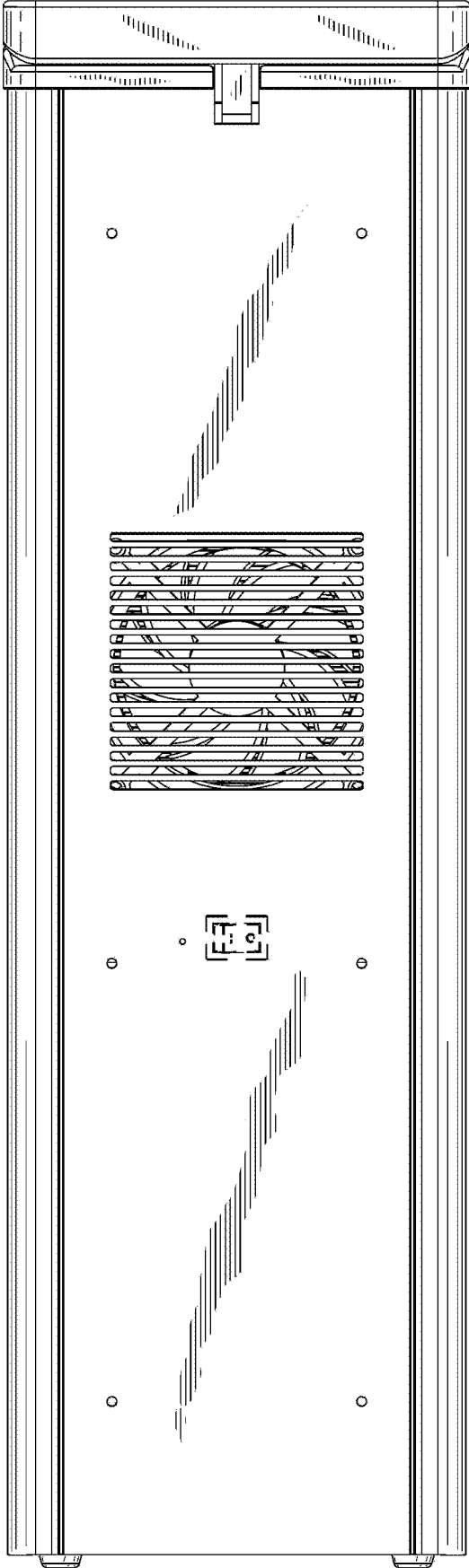


FIG. 2



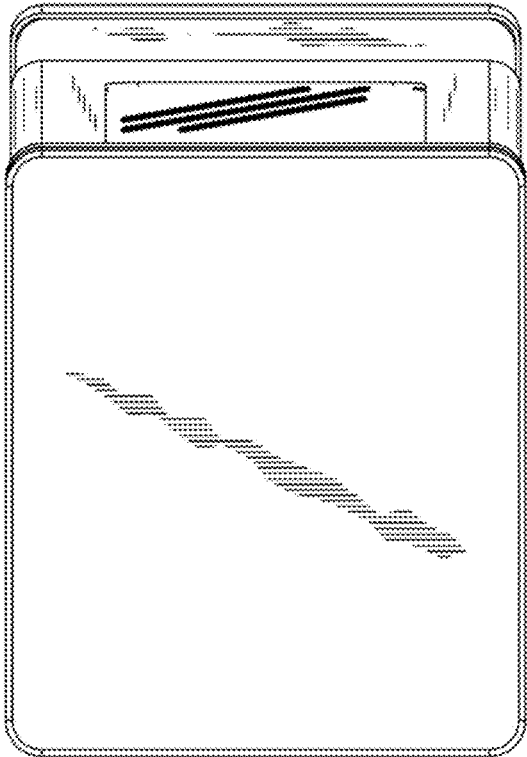


FIG. 3

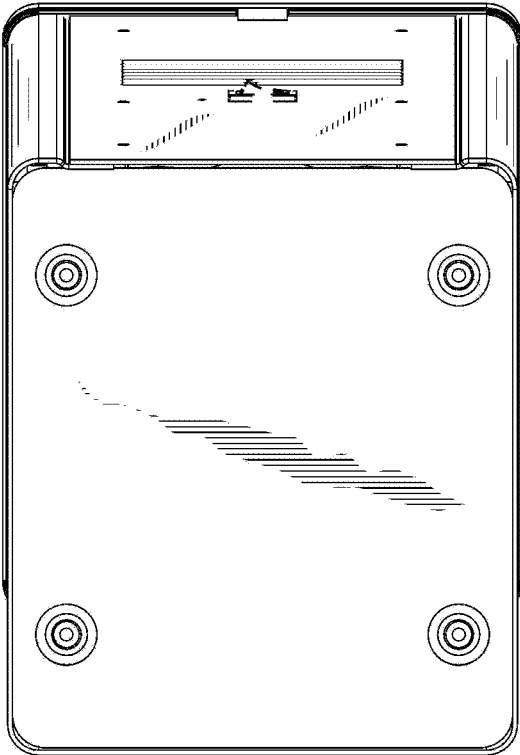
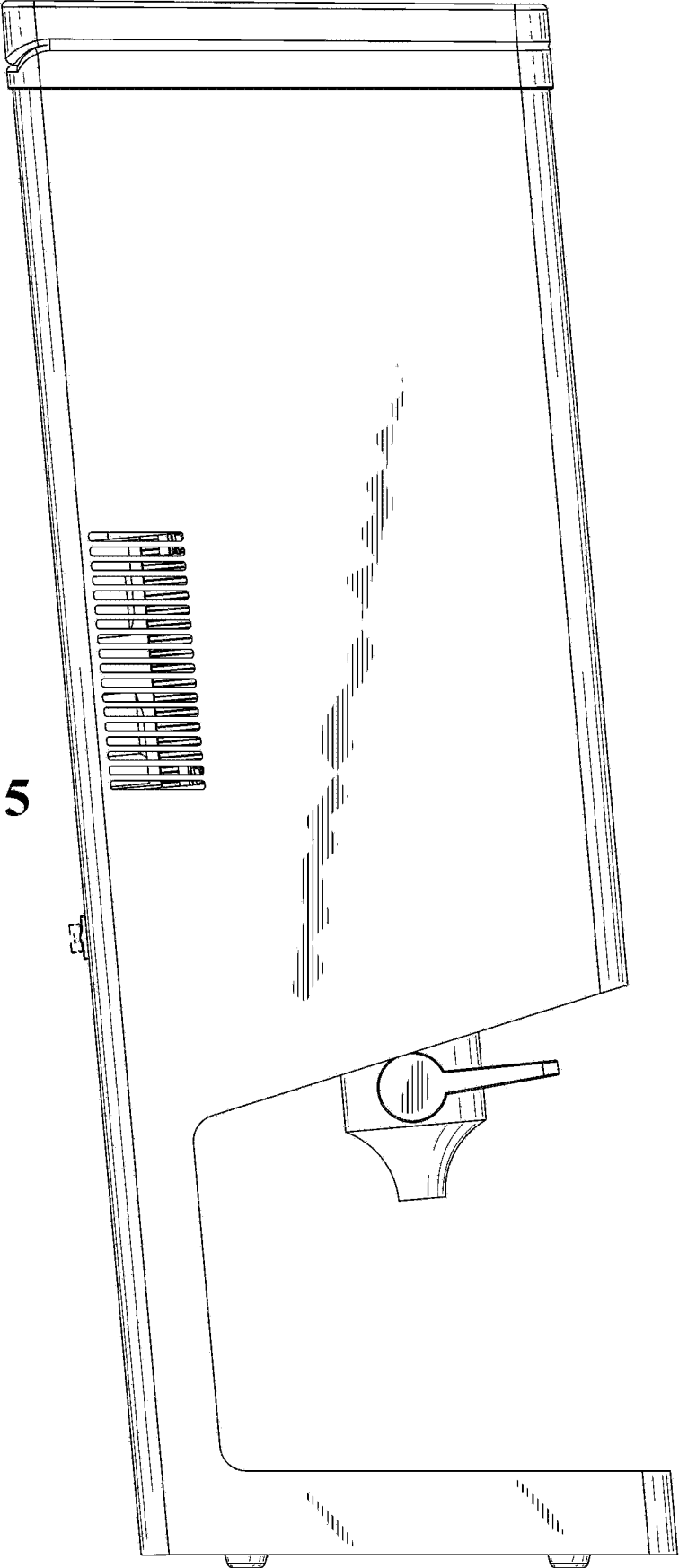


FIG. 4

FIG. 5



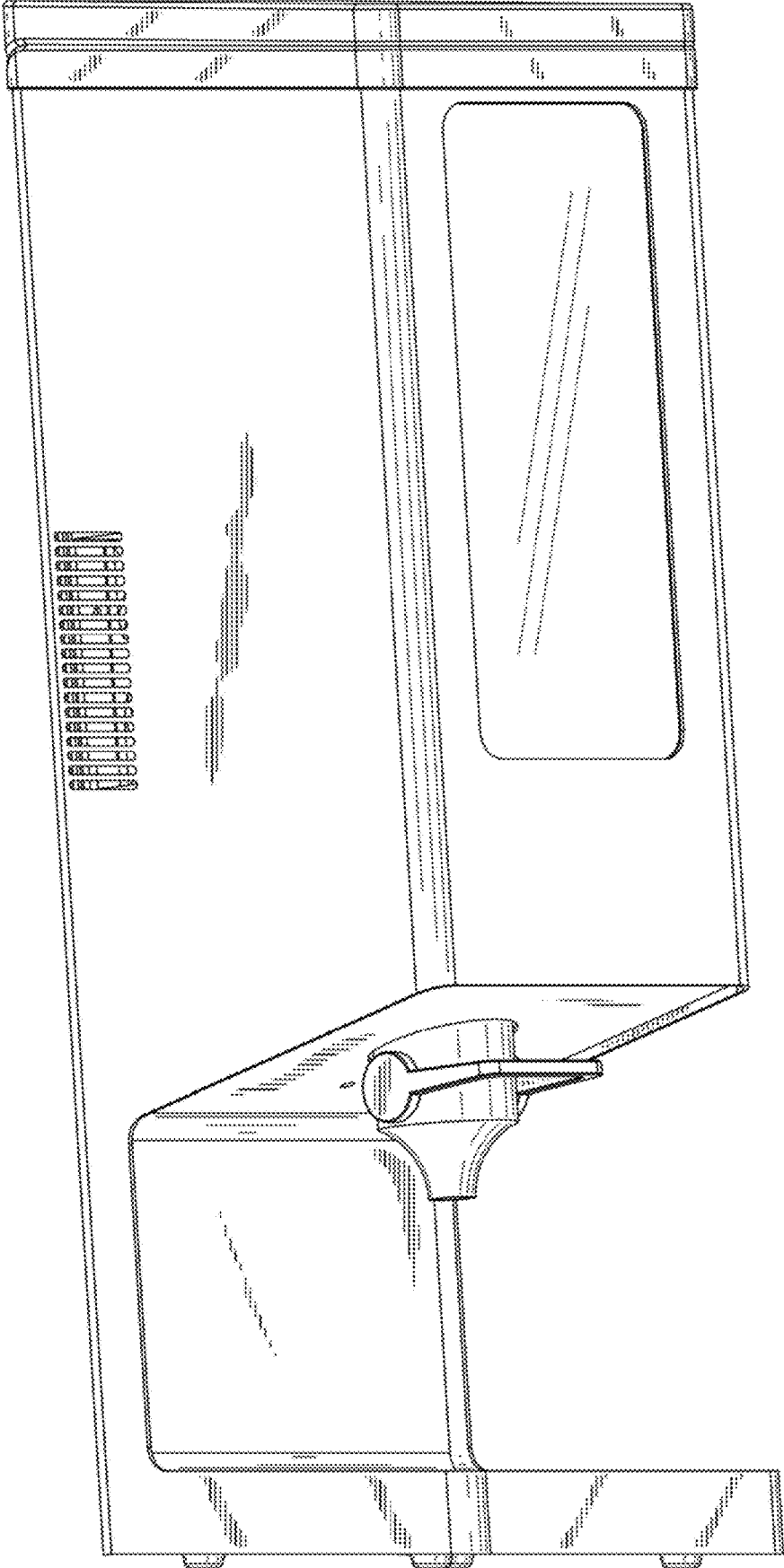


FIG. 6

FIG. 7

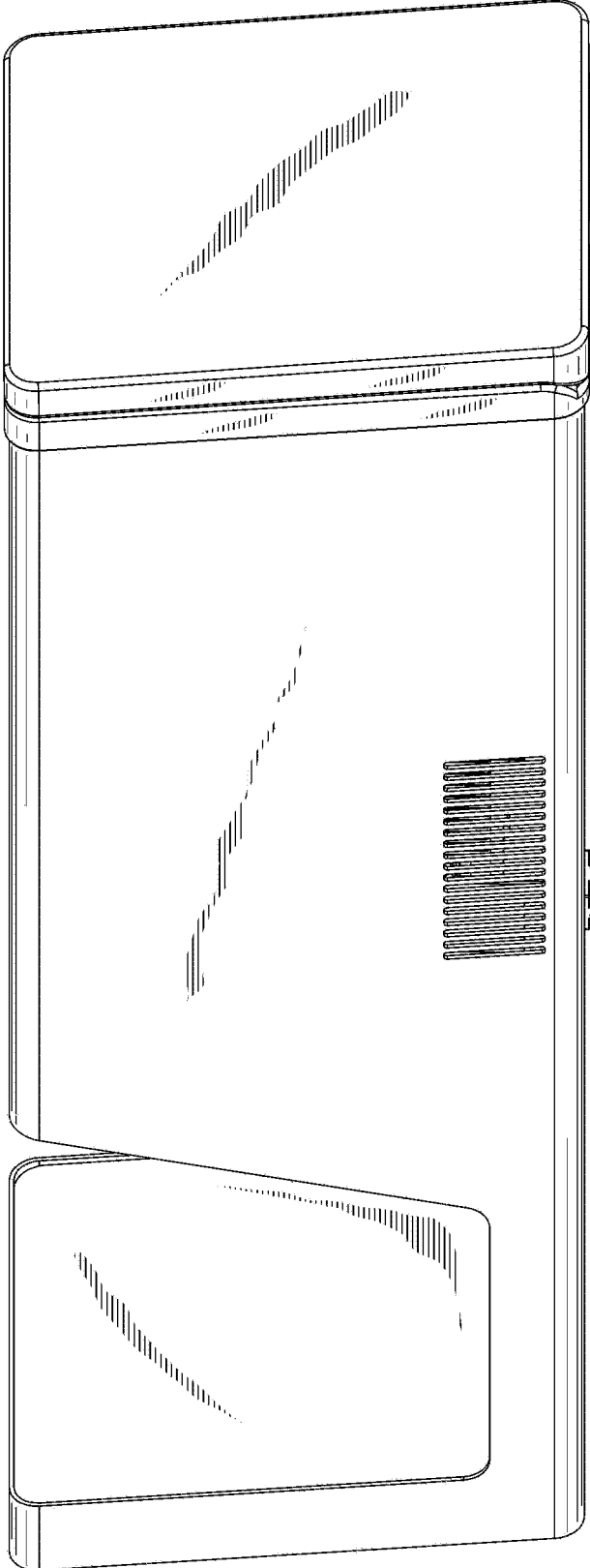


FIG. 8

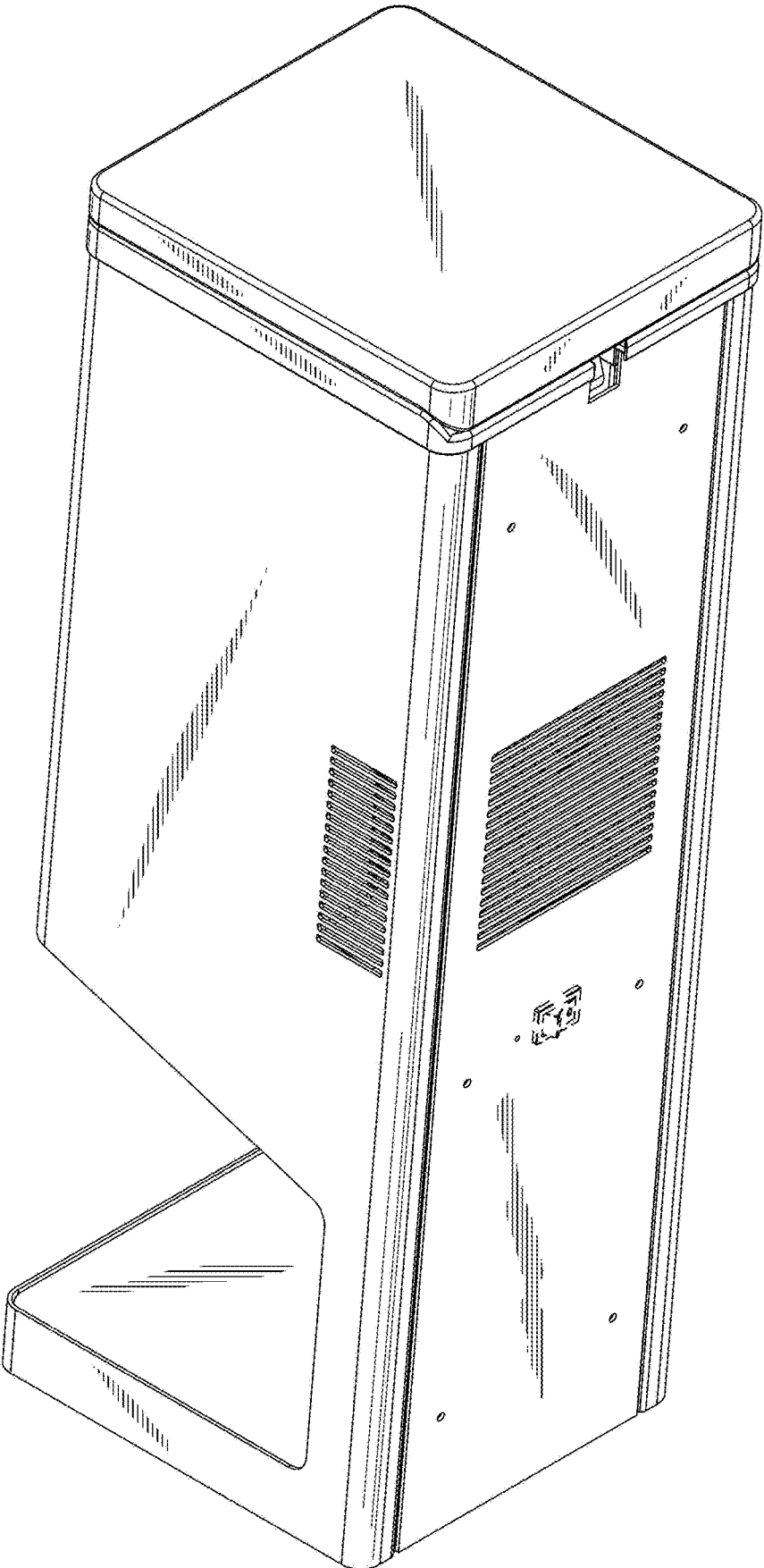


FIG. 9

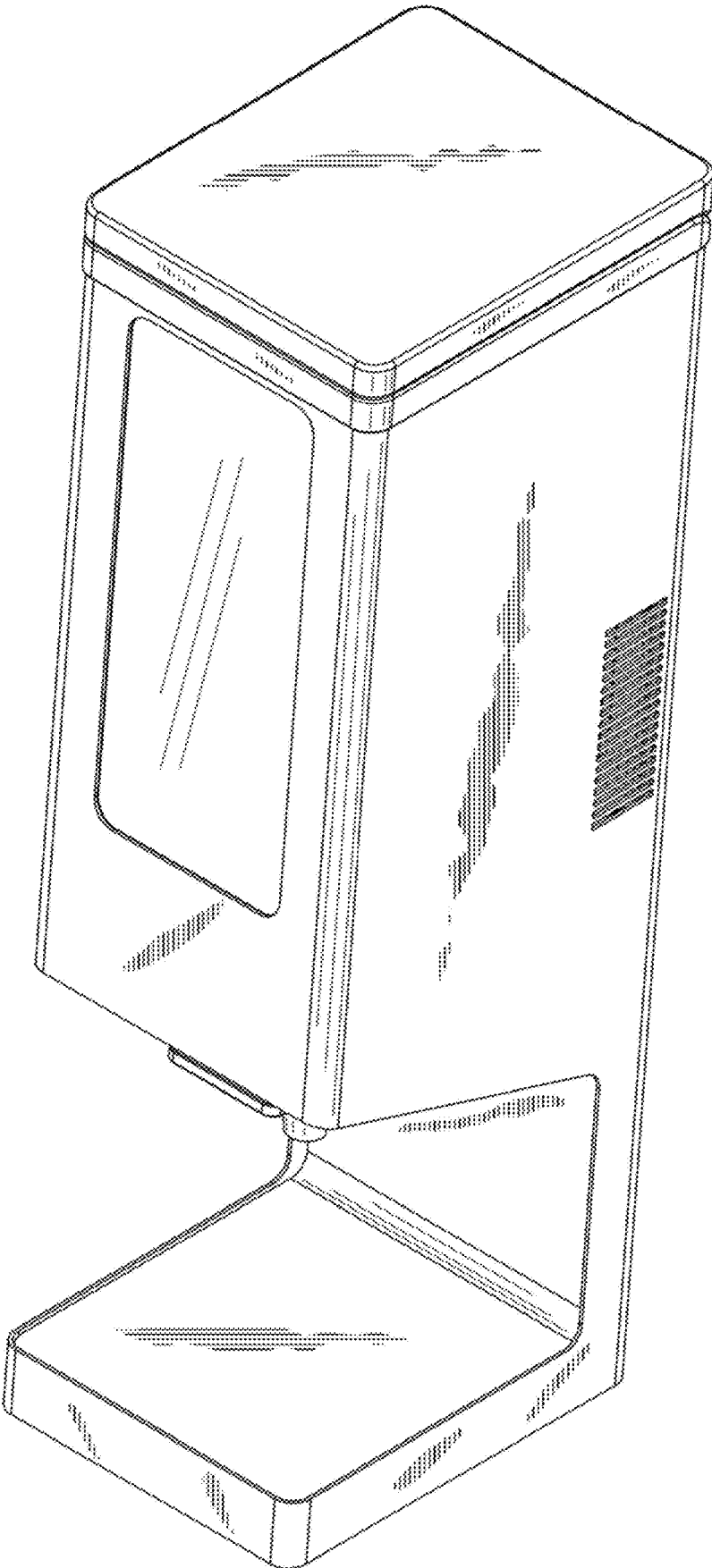
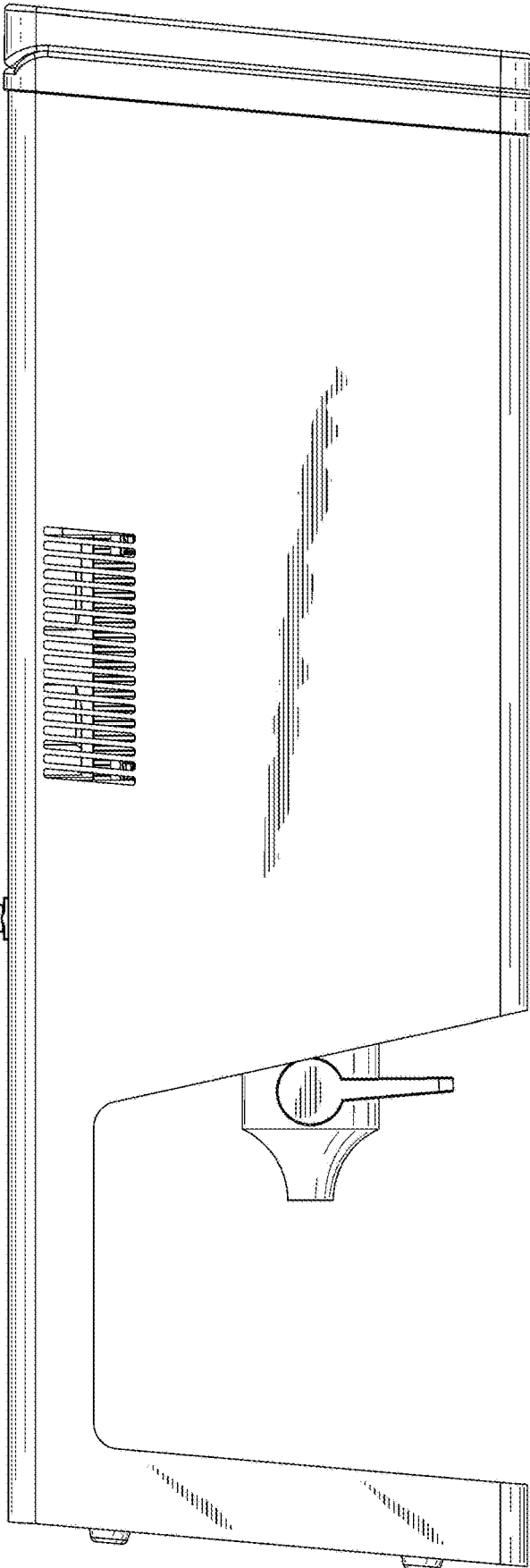


FIG. 10



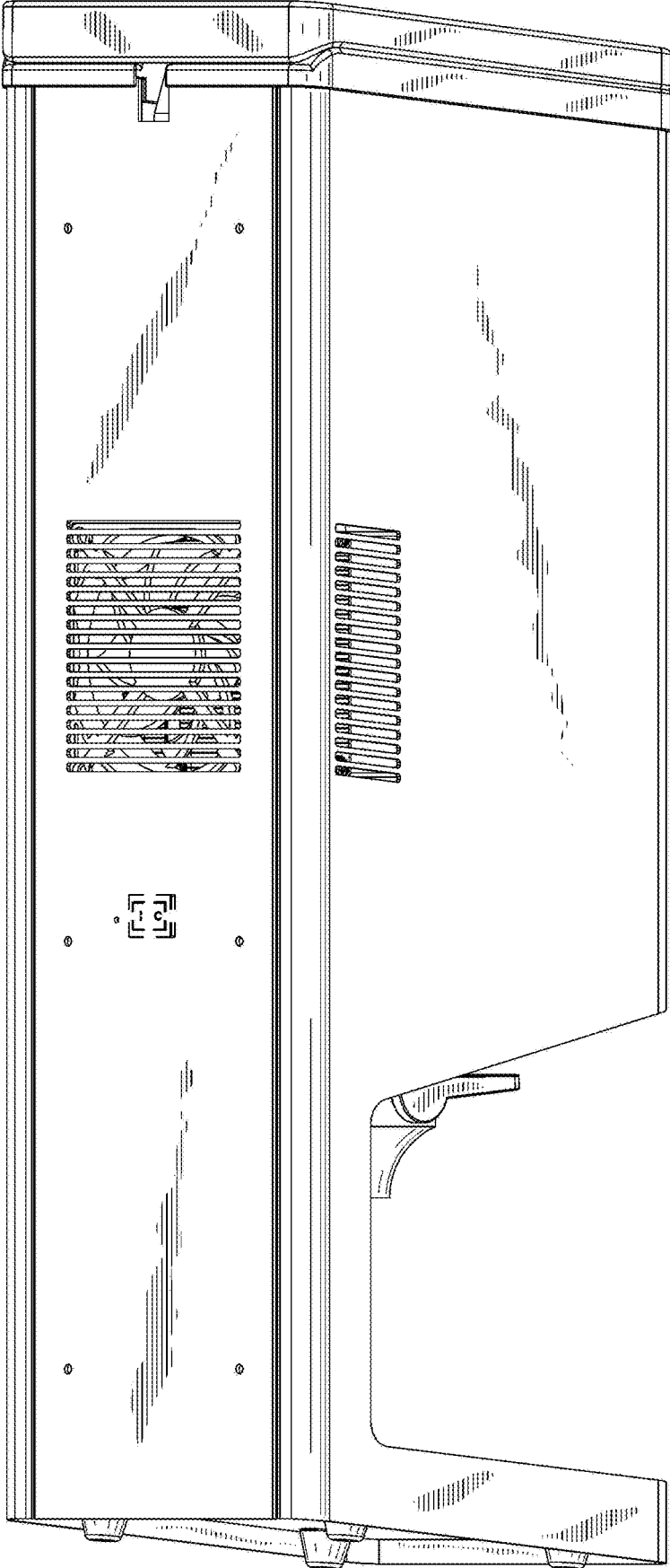
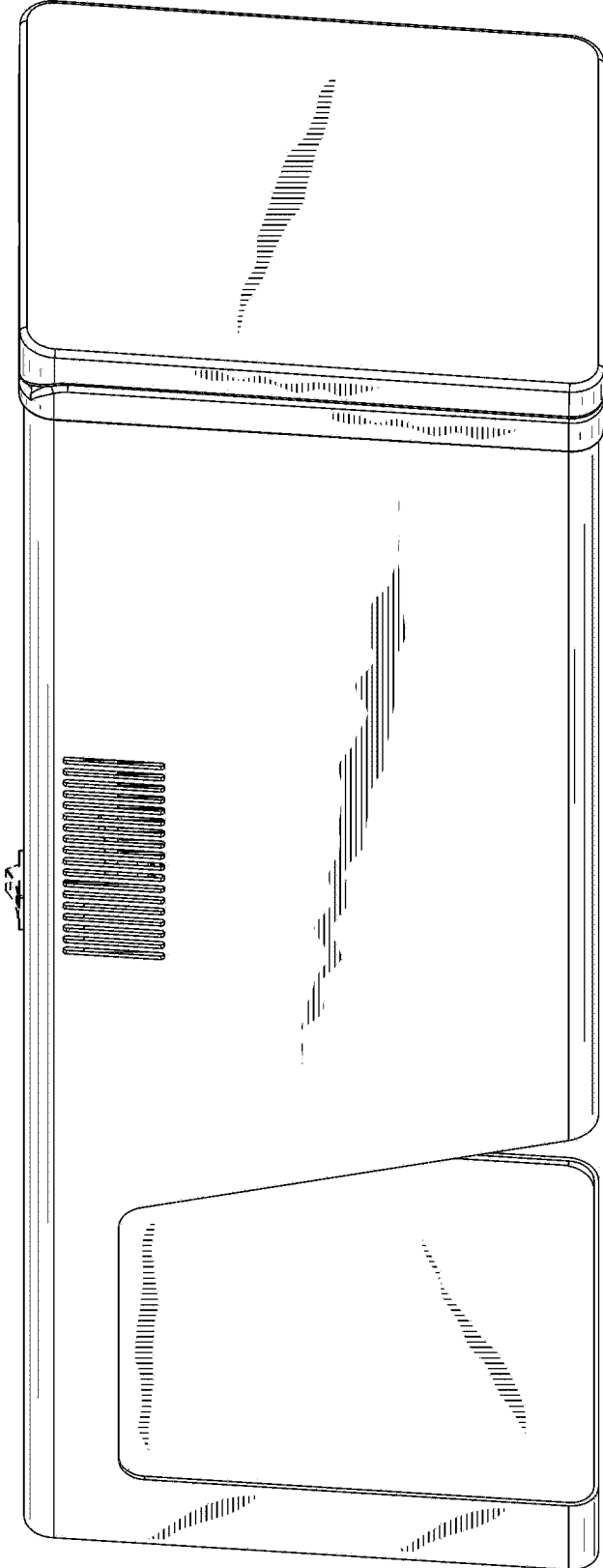


FIG. 11

FIG. 12



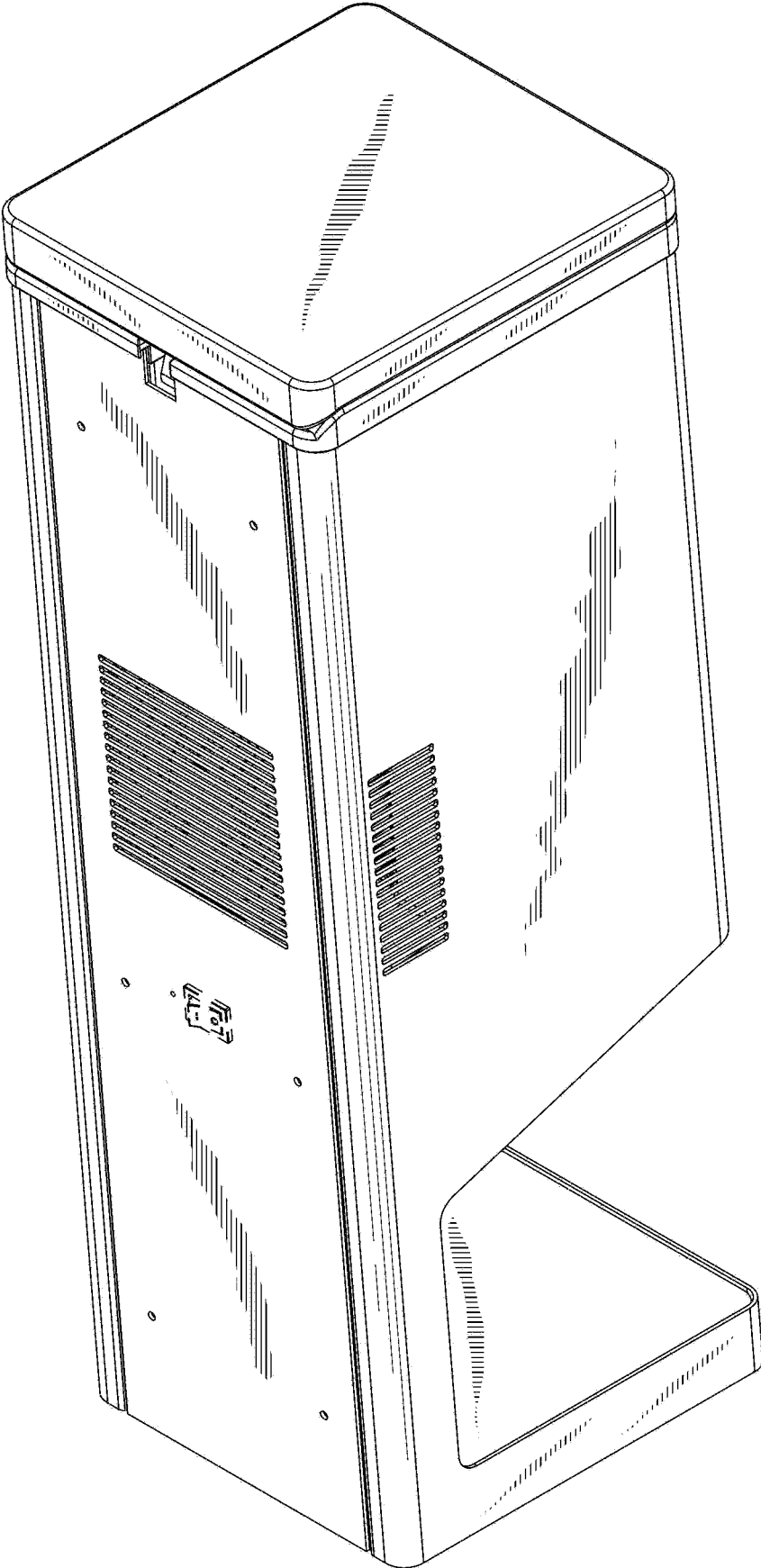


FIG. 13

FIG. 14

