



US00D381247S

**United States Patent** [19]  
**Zayat, Jr.**

[11] **Patent Number:** **Des. 381,247**

[45] **Date of Patent:** **\*\*Jul. 22, 1997**

[54] **UNIVERSAL SOCKET TOOL**

[76] **Inventor:** **Charles D. Zayat, Jr.**, 100 New Hampshire St., Cranston, R.I. 02920

[\*\*] **Term:** **14 Years**

[21] **Appl. No.:** **39,245**

[22] **Filed:** **May 25, 1995**

[51] **LOC (6) Cl.** ..... **08-05**

[52] **U.S. Cl.** ..... **D8/29**

[58] **Field of Search** ..... D8/29, 14; 81/119, 81/121.1, 125

[56] **References Cited**

**U.S. PATENT DOCUMENTS**

2,895,362 7/1959 Jamgotchian ..... 81/119  
3,475,999 11/1969 Roberts et al. .... 81/63

*Primary Examiner*—B. J. Bullock  
*Assistant Examiner*—Richelle Shelton  
*Attorney, Agent, or Firm*—Salter & Michaelson

[57] **CLAIM**

The ornamental design for universal socket tool, as shown and described.

**DESCRIPTION**

FIG. 1 is a front perspective view of a universal socket tool showing my new design;

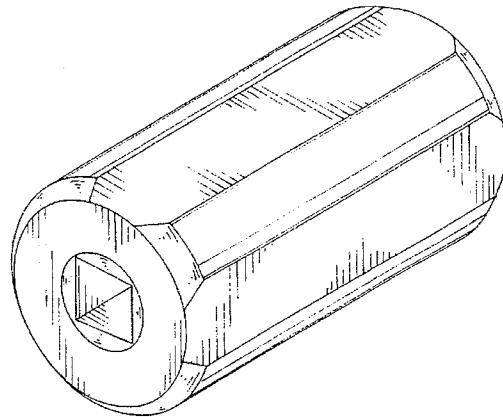
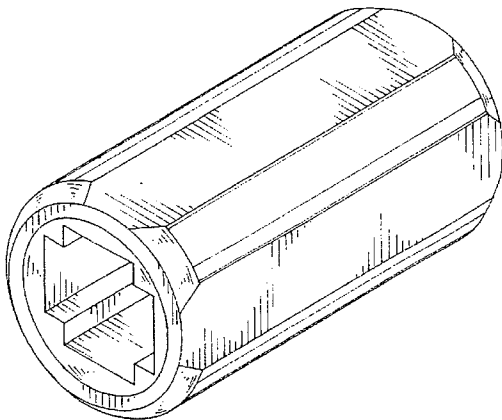
FIG. 2 is a rear perspective view thereof;

FIG. 3 is a front view thereof;

FIG. 4 is a rear view thereof; and,

FIG. 5 is a right side view thereof, the left side, top and bottom views being identical.

**1 Claim, 1 Drawing Sheet**



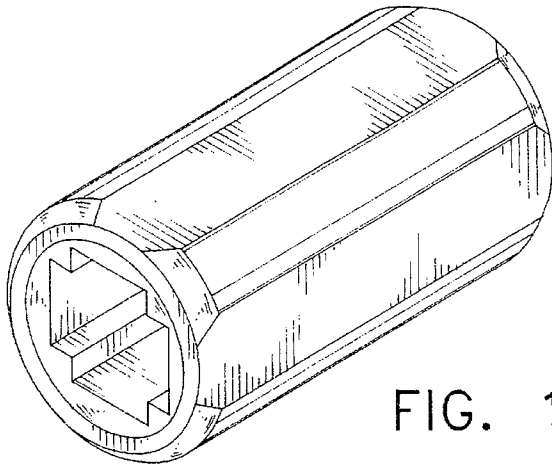


FIG. 1

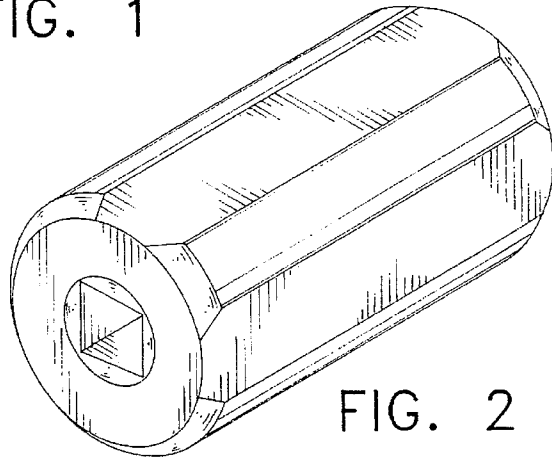


FIG. 2

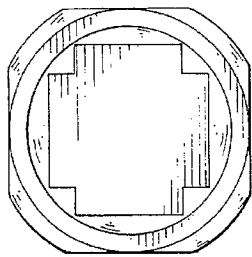


FIG. 3

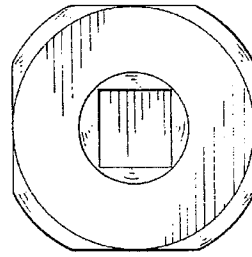


FIG. 4

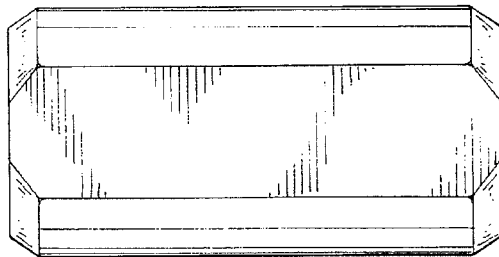


FIG. 5