



US0D1000626S

(12) **United States Design Patent**  
**Williams et al.**

(10) **Patent No.:** **US D1,000,626 S**

(45) **Date of Patent:** **\*\* Oct. 3, 2023**

- (54) **PERCUSSIVE MASSAGE GUN**
- (71) Applicant: **PlayMakar Inc.**, Fort Worth, TX (US)
- (72) Inventors: **Michael J. Williams**, Colleyville, TX (US); **Federico G. Vierheller**, Fort Worth, TX (US); **Nathan Andrew Fox**, Fort Worth, TX (US)
- (73) Assignee: **PlayMakar, Inc.**, Fort Worth, TX (US)

- 4,726,430 A 2/1988 Hendrikk et al.
- 4,790,296 A 12/1988 Segal
- 4,841,955 A 6/1989 Evans et al.
- 5,085,207 A 2/1992 Fiore

(Continued)

**FOREIGN PATENT DOCUMENTS**

- CH 388531 A 2/1965
- CN 2694966 Y 4/2005

(Continued)

**OTHER PUBLICATIONS**

Flyby—Massage gun. Date: Aug. 11, 2020. [online]. [Site visited Dec. 1, 2022]. Available from Internet URL: [www.youtube.com/watch?v=GYvuNuiF8Bc](http://www.youtube.com/watch?v=GYvuNuiF8Bc) (Year: 2020).\*

(Continued)

*Primary Examiner* — Eliza Z Harvey  
*Assistant Examiner* — Landon Thomas Cassell  
(74) *Attorney, Agent, or Firm* — Bey & Cotropia PLLC; Dawn-Marie Bey

- (\*\*) Term: **15 Years**
- (21) Appl. No.: **29/814,028**
- (22) Filed: **Nov. 2, 2021**
- (51) **LOC (14) Cl.** ..... **28-03**
- (52) **U.S. Cl.**  
USPC ..... **D24/215**
- (58) **Field of Classification Search**  
USPC ..... D24/215, 200, 211, 212, 213, 214, 133, D24/107, 231, 184, 209, 206; D8/14.1, D8/61; D28/12, 13  
CPC ..... A61H 7/00; A61H 7/003; A61H 7/004; A61H 9/00; A61H 15/00; A61H 2015/0007; A61H 2015/0042; A61H 2015/0071; A61H 15/0078; A61H 15/0085; A61H 15/0092; A61H 23/00; A61H 23/02

See application file for complete search history.

(56) **References Cited**

**U.S. PATENT DOCUMENTS**

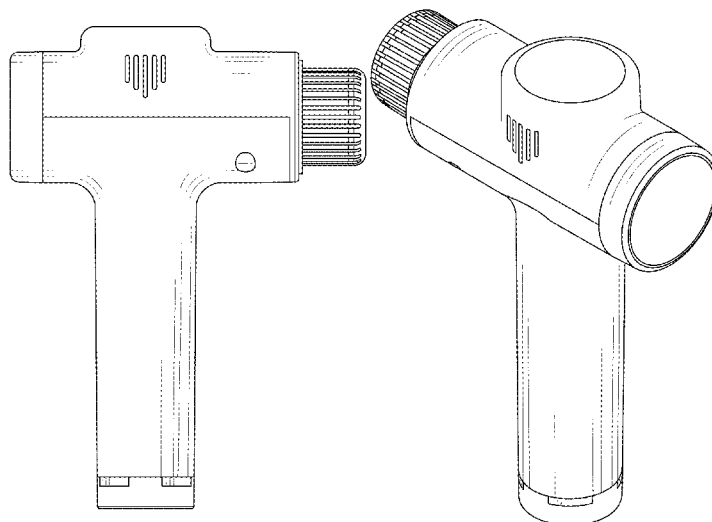
- 859,424 A 7/1907 Aschburner
- 890,822 A 6/1908 Tourtel et al.
- 1,368,782 A 2/1921 Beach
- 2,122,556 A 7/1938 Buffalo
- 2,156,839 A 5/1939 Buffalo
- 4,088,128 A 5/1978 Mabuchi
- 4,513,737 A 4/1985 Mabuchi
- 4,549,535 A 10/1985 Wing
- D284,553 S 7/1986 Collister
- 4,726,369 A 2/1988 Mar

- (57) **CLAIM**  
The ornamental design for a percussive massage gun, as shown and described.

**DESCRIPTION**

FIG. 1 is a front view of a percussive massage gun, showing our new design;  
FIG. 2 is a right plan view thereof;  
FIG. 3 is a left plan view thereof;  
FIG. 4 is back view thereof;  
FIG. 5 is a top view thereof;  
FIG. 6 is a bottom view thereof; and,  
FIG. 7 is a front perspective view thereof.  
The broken lines shown in FIGS. 3 and 6 are for the purpose of illustrating portions of the percussive massage gun which form no part of the claimed design.

**1 Claim, 7 Drawing Sheets**



(56)

References Cited

U.S. PATENT DOCUMENTS

5,134,777	A	8/1992	Meyer	10,993,874	B1	5/2021	Marton et al.
D373,571	S	9/1996	Zambelli	D920,944	S	6/2021	Paterson
5,656,017	A	8/1997	Keller et al.	D924,422	S	7/2021	Huang
5,690,608	A	11/1997	Watanabe et al.	D927,716	S	8/2021	Wersland
5,697,268	A	12/1997	Makovsky	D927,717	S	8/2021	Wersland
5,730,044	A	3/1998	Oh	D931,492	S	9/2021	Li
D434,291	S	11/2000	Kim	D935,403	S	11/2021	Wu
6,228,042	B1	5/2001	Dungan	D935,404	S	11/2021	Wu
6,357,125	B1	3/2002	Feldmann et al.	D938,056	S	12/2021	Wu
6,616,621	B1	9/2003	Kohr	D940,892	S	* 1/2022	Shen ..... D24/215
6,682,496	B1	1/2004	Pivaroff	D941,145	S	1/2022	Wang
6,758,826	B2	7/2004	Luetting et al.	11,253,423	B1	* 2/2022	Williams ..... A61H 23/0254
D525,115	S	7/2006	Harwanko	D949,365	S	4/2022	Li
7,122,013	B2	10/2006	Liu	D949,366	S	4/2022	Li
7,144,417	B2	12/2006	Colloca et al.	D949,384	S	4/2022	Liang
D544,102	S	6/2007	Pivaroff	D949,417	S	4/2022	Khubani
D578,080	S	10/2008	Whang	D949,418	S	4/2022	Khubani
7,503,923	B2	3/2009	Miller	D952,878	S	5/2022	Lin
D607,852	S	1/2010	Riede	D958,654	S	7/2022	Lupberger
D631,073	S	1/2011	Papa	D959,268	S	8/2022	Hume
D632,265	S	2/2011	Choi	D961,107	S	8/2022	Tian
D639,784	S	6/2011	Murayama	D961,795	S	8/2022	Zhao
D649,657	S	11/2011	Petersen et al.	11,452,665	B1	9/2022	Yu
8,083,699	B2	12/2011	Colloca et al.	D967,971	S	10/2022	Jinfeng
D662,398	S	6/2012	Jahnke	11,478,400	B1	10/2022	Marton
D679,576	S	4/2013	Paul	11,497,676	B2	11/2022	Liu
8,826,547	B2	9/2014	Oberheim	2002/0082532	A1	6/2002	Tucek et al.
8,968,221	B2	3/2015	Pryor et al.	2002/0107459	A1	8/2002	Chang
D738,355	S	9/2015	Smith	2003/0009116	A1	1/2003	Luetting
D751,538	S	3/2016	Koehler	2003/0009118	A1	1/2003	Sabo et al.
D756,333	S	5/2016	Smith	2003/0028134	A1	2/2003	Lev
9,526,671	B2	12/2016	Weck et al.	2003/0040689	A1	2/2003	Chan et al.
D781,674	S	3/2017	Bullard	2003/0101847	A1	6/2003	Harimoto
9,889,066	B2	2/2018	Danby et al.	2003/0195443	A1	10/2003	Miller
D826,205	S	8/2018	Langhammer	2005/0109137	A1	5/2005	Hartmann
D837,395	S	1/2019	Gan	2005/0113870	A1	5/2005	Miller
D840,355	S	2/2019	Simon	2005/0131461	A1	6/2005	Tucek et al.
D848,398	S	5/2019	Huang	2006/0025710	A1	2/2006	Schulz et al.
D849,260	S	5/2019	Wersland et al.	2006/0293711	A1	12/2006	Keller et al.
D850,639	S	6/2019	Wersland et al.	2008/0014011	A1	1/2008	Rossen
D850,640	S	6/2019	Wersland	2008/0183252	A1	7/2008	Khen
10,314,762	B1	6/2019	Marton et al.	2009/0270915	A1	10/2009	Tsai et al.
10,357,425	B2	7/2019	Wersland et al.	2010/0137907	A1	6/2010	Tsai
D855,822	S	* 8/2019	Marton ..... D24/215	2011/0056339	A1	3/2011	Su
D857,650	S	8/2019	Hardi	2014/0031866	A1	1/2014	Fuhr et al.
D859,680	S	9/2019	Wersland	2014/0234146	A1	8/2014	Pattakos
D867,342	S	11/2019	Afshar Bakooshi	2015/0005682	A1	1/2015	Danby et al.
10,485,731	B2	11/2019	Babiuk	2015/0107383	A1	4/2015	Duesselberg et al.
10,492,984	B2	12/2019	Marton et al.	2015/0182415	A1	7/2015	Olkowski et al.
D873,432	S	1/2020	Duan	2016/0354277	A1	12/2016	Fima
D874,015	S	* 1/2020	Marton ..... D24/215	2016/0367425	A1	12/2016	Wersland
10,561,574	B1	2/2020	Marton et al.	2017/0001290	A1	1/2017	Liu
D882,785	S	4/2020	Cao	2017/0304145	A1	10/2017	Pepe
D886,317	S	* 6/2020	Marton ..... D24/215	2018/0008512	A1	1/2018	Goldstein
D890,353	S	7/2020	Nazarian	2018/0168913	A1	6/2018	Sedic
D890,942	S	7/2020	Wersland	2018/0200141	A1	7/2018	Wersland et al.
D890,943	S	7/2020	Wersland	2018/0263845	A1	9/2018	Wersland et al.
10,702,448	B2	7/2020	Wersland et al.	2018/0320732	A1	11/2018	Kim
D893,738	S	* 8/2020	Zhuang ..... D24/215	2018/0353369	A1	12/2018	Newns et al.
D895,133	S	* 9/2020	Xu ..... D24/215	2019/0015294	A1	1/2019	Nazarian et al.
D895,135	S	* 9/2020	Xu ..... D24/215	2019/0175434	A1	6/2019	Zhang
D895,402	S	9/2020	Hung	2019/0209424	A1	7/2019	Wersland et al.
D895,828	S	9/2020	Marshall	2019/0232403	A1	8/2019	Candelaria
D895,831	S	* 9/2020	Chen ..... D24/215	2019/0254921	A1	8/2019	Marton et al.
D896,393	S	9/2020	Wersland	2019/0350793	A1	11/2019	Wersland et al.
D898,933	S	10/2020	Xu	2019/0365598	A1	12/2019	Qu
D905,863	S	* 12/2020	Lin ..... D24/215	2020/0046598	A1	2/2020	Shen
D906,533	S	12/2020	Xu	2020/0046604	A1	2/2020	Danby et al.
D907,792	S	1/2021	Marton et al.	2020/0085675	A1	3/2020	Lee et al.
D908,235	S	1/2021	Marton et al.	2020/0110526	A1	4/2020	Ano et al.
D910,870	S	2/2021	Marton et al.	2020/0170871	A1	6/2020	Lukinuk et al.
D917,060	S	* 4/2021	Hu ..... D24/215	2020/0214930	A1	7/2020	Wersland et al.
D918,404	S	5/2021	Wersland	2020/0261307	A1	8/2020	Wersland et al.
D918,405	S	5/2021	Wersland	2020/0261310	A1	8/2020	Wersland et al.
D918,408	S	* 5/2021	Huang ..... D24/215	2020/0268594	A1	8/2020	Pepe
				2020/0276079	A1	9/2020	Cheng
				2020/0289365	A1	9/2020	Wersland et al.
				2020/0330321	A1	10/2020	Wersland et al.
				2020/0352820	A1	11/2020	Nazarian et al.

(56)

## References Cited

## U.S. PATENT DOCUMENTS

2020/0352821	A1	11/2020	Wersland et al.
2020/0390644	A1	12/2020	Tang
2020/0393026	A1	12/2020	Chang
2020/0405574	A1	12/2020	Wersland et al.
2021/0003168	A1	1/2021	Cong
2021/0022951	A1	1/2021	Hu
2021/0022955	A1	1/2021	Wersland
2021/0059898	A1	3/2021	Wersland et al.
2021/0113421	A1	4/2021	Chuang
2021/0128402	A1	5/2021	Dai et al.
2021/0137779	A1	5/2021	Ayu et al.
2021/0196562	A1	7/2021	Zhao
2021/0244610	A1	8/2021	Wersland et al.
2021/0322257	A1	10/2021	Lee
2021/0369549	A1	12/2021	Almodovar
2022/0096320	A1	3/2022	Lu
2022/0154764	A1	5/2022	Yamashita
2022/0168175	A1	6/2022	Tang
2022/0168177	A1	6/2022	Vierheller
2022/0211575	A1	7/2022	Wersland

## FOREIGN PATENT DOCUMENTS

CN	202536467	U	11/2012
CN	205268525	U	6/2016
CN	206381369	U	8/2017
CN	208130157	U	11/2018
CN	306178047		11/2020
CN	212749648	U	3/2021
CN	2020305792978		3/2021
CN	306489315		4/2021
CN	2021302494257		8/2021
KR	102249761	B1	5/2021
TW	M511855	U	11/2015
TW	M543692	U	6/2017
TW	D207405		9/2020
WO	WO2022149067		7/2022

## OTHER PUBLICATIONS

MVP Percussion Massager System. Date: Aug. 5, 2021. [online]. [Site visited Dec. 1, 2022]. Available from Internet URL: <https://playmakar.com/product/percussion-massager/> (Year: 2021).\*

Massage guns. (Design—© Questel) orbit.com. [Online PDF compilation of references] 50 pgs. Print Dates Range Apr. 28, 2020—Mar. 11, 2022 [Retrieved Dec. 2, 2022] <https://www.orbit.com/export/UCZAH96B/pdf4/e6b9a3b3-195c-4fbc-87b2-0eaa315609e-165234.pdf> (Year: 2022).\*

Flyby Massage Gun Deep Tissue. Date: Dec. 30, 2019. [online]. [Site visited May 15, 2023]. Available from Internet URL: <https://www.amazon.com/dp/B07Y8SRYL3/?th=1> (Year: 2019).\*

Gladiour—Massage Gun Handheld Hammer. Date: Jan. 20, 2021. [online]. [Site visited May 15, 2023]. Available from Internet URL: <https://www.amazon.com/dp/B08QJNVP6F/> (Year: 2021).\*

TOLOCO Massage Gun. Date: Jan. 7, 2020. [online]. [Site visited May 15, 2023]. Available from Internet URL: <https://www.amazon.com/dp/B083L8RNJR/?th=1> (Year: 2020).\*

“Massage Gun Deep Tissue—Percussion Muscle Massager Gun For Athletes—Flyby F1Pro—Handheld Neck & Back Massager for Pain Relief—Therapy and Relaxation Body Massager Gun—Lightweight (Black),” [retrieved on Oct. 28, 2021], 9 pp., Retrieved from the Internet: [https://www.amazon.com/Massage-Gun-Deep-Tissue-Lightweight/dp/B07Y8SRYL3/ref=sr\\_1\\_sspa?crd=2WY18SO0AT230&dchild=1&keywords=flyby%2Bmassage%2Bgun&qid=1635265651&s=hpc&sprefix=Flyby%2B%2Chpc%2C179&sr=1-1-spons&spLa=Zw5jcnlwdGVkUXVhbGlmaWVvPUEyQTESRDJUTVHQUpSjMvUyY3J5cHRIZEFkPUeWODA3NDg0VjVOU1BnR0K5V0RVJmVuYyY3J5cHRIZEFkSWQ9QTAINJE3NTEkTEdLRFRJU1JNqkPjndpZGdldE5hbWU9c3BfYXRmJmFjdGlvb1JbGlja1JIZGlyZWNoJmRvTm9oTG9nQ2xpY2s9dHJlZQ&th=1](https://www.amazon.com/Massage-Gun-Deep-Tissue-Lightweight/dp/B07Y8SRYL3/ref=sr_1_sspa?crd=2WY18SO0AT230&dchild=1&keywords=flyby%2Bmassage%2Bgun&qid=1635265651&s=hpc&sprefix=Flyby%2B%2Chpc%2C179&sr=1-1-spons&spLa=Zw5jcnlwdGVkUXVhbGlmaWVvPUEyQTESRDJUTVHQUpSjMvUyY3J5cHRIZEFkPUeWODA3NDg0VjVOU1BnR0K5V0RVJmVuYyY3J5cHRIZEFkSWQ9QTAINJE3NTEkTEdLRFRJU1JNqkPjndpZGdldE5hbWU9c3BfYXRmJmFjdGlvb1JbGlja1JIZGlyZWNoJmRvTm9oTG9nQ2xpY2s9dHJlZQ&th=1). English translation for CH388531, espacenet.com, translated on Jul. 8, 2021.

English translation for KR 102249761, translated by espacenet.com, translated on Oct. 31, 2022.

Youtube., “ShoDuo Absorption & Reverberation Massage Head”, Published Date: Sep. 26, 2022. <https://www.youtube.com/watch?v=OW6z6eYN04o> (Year: 2022).

amazon.com; Massage Gun Massage Gun—Massage Pulse Mini Muscle Massage Gun; Apr. 28, 2022; 2 pgs.

AliExpress.com; Portable Massage Gun Deep Tissue Percussion Muscle Massager For Pain; retrieved on Nov. 22, 2022; 1 pg.

amazon.com; Mebak 3 Massage Gun Muscle Massager Electric Hand Massager, May 22, 2020; 3 pgs.

HP Race Development—Titanium connecting rods. Date: Apr. 30, 2021. [online]. [Site visited Dec. 15, 2022]. Available from Internet URL: <https://www.hpracedevelopment.com/news/titanium-connecting-rods-now-available-all-current-250f-models/> (Year: 2021).

Weileite—Accumulator Piston Kit. Date: Aug. 24, 2021. [online]. [Site visited Jan. 12, 2023]. Available from Internet URL: <https://www.amazon.com/dp/B09J15G8V7/> (Year: 2021).

Massage Gun Deep Tissue, Percussion Muscle Massager Gun for Athletes—Flyby F1 Pro—Handheld Neck & Back Massager for Pain Relief—Therapy and Relaxation Body Massager Gun—Lightweight (Black), [retrieved Oct. 28, 2021], 9 p: [https://www.amazon.com/massage-gun-deep-tissue-lightweight/dp/B07Y8SRYL3/ref=sr\\_1\\_1\\_sspa?crd=2WY18SO0AT230&dchild=1&keywords=flyby%2Bmassage%2Bgun&qid=1635265651&s=hpc&sprefix=Flyby%2B%2Chpc%2C179&sr=1-1-](https://www.amazon.com/massage-gun-deep-tissue-lightweight/dp/B07Y8SRYL3/ref=sr_1_1_sspa?crd=2WY18SO0AT230&dchild=1&keywords=flyby%2Bmassage%2Bgun&qid=1635265651&s=hpc&sprefix=Flyby%2B%2Chpc%2C179&sr=1-1-)

Toloco Massage Gun, upgrade Percussion Muscle Massage Gun for Athletes, Handheld Deep Tissue Massager Black) [retrieved on Oct. 29, 2021], 10 pp., Retrieved from the Internet: [https://www.amazon.com/TOLOCO-massage-Gun-Upgraded-Brushless/dp/B083L8RNJR/ref=sr\\_1\\_1\\_sspa?dchild=1&keywords=Massage%2Bgun&qid=1635272886&sr=8-1-spons&spLa=ZW5jcnlwdGVkUXVhbGlmaWVvPUEFETDEwSENOVDg4SzmZw5jcnlwdGVkSWQ9QTAYOTUZNTMxN](https://www.amazon.com/TOLOCO-massage-Gun-Upgraded-Brushless/dp/B083L8RNJR/ref=sr_1_1_sspa?dchild=1&keywords=Massage%2Bgun&qid=1635272886&sr=8-1-spons&spLa=ZW5jcnlwdGVkUXVhbGlmaWVvPUEFETDEwSENOVDg4SzmZw5jcnlwdGVkSWQ9QTAYOTUZNTMxN).

Massage Gun Deep Tissue, Muscle Percussion Back Neck Head Handheld Hammer Massager for Athletes, 30 speed Level, LED Touch Screen, Long Battery Life with 10 Heads, [retrieved on Oct. 29, 2021], 9 pp., Retrieved from the Internet: [https://www.amazon.com/Massage-Percussion-Handheld-massager-Athletes/dp/B08QJNVP6F/ref=sr\\_1\\_4\\_sspa?dchild=1&keywords=Massage+gun&qid=1635272918&sr=8-4-spons&psc=1&spLa=ZW5jcnlwdGVkUXVhbGlmaWVvPUEFkTIdTDBISU5TEsmZW5jcnlwdGVkSWQ9QTA3MTI5MN](https://www.amazon.com/Massage-Percussion-Handheld-massager-Athletes/dp/B08QJNVP6F/ref=sr_1_4_sspa?dchild=1&keywords=Massage+gun&qid=1635272918&sr=8-4-spons&psc=1&spLa=ZW5jcnlwdGVkUXVhbGlmaWVvPUEFkTIdTDBISU5TEsmZW5jcnlwdGVkSWQ9QTA3MTI5MN).

\* cited by examiner

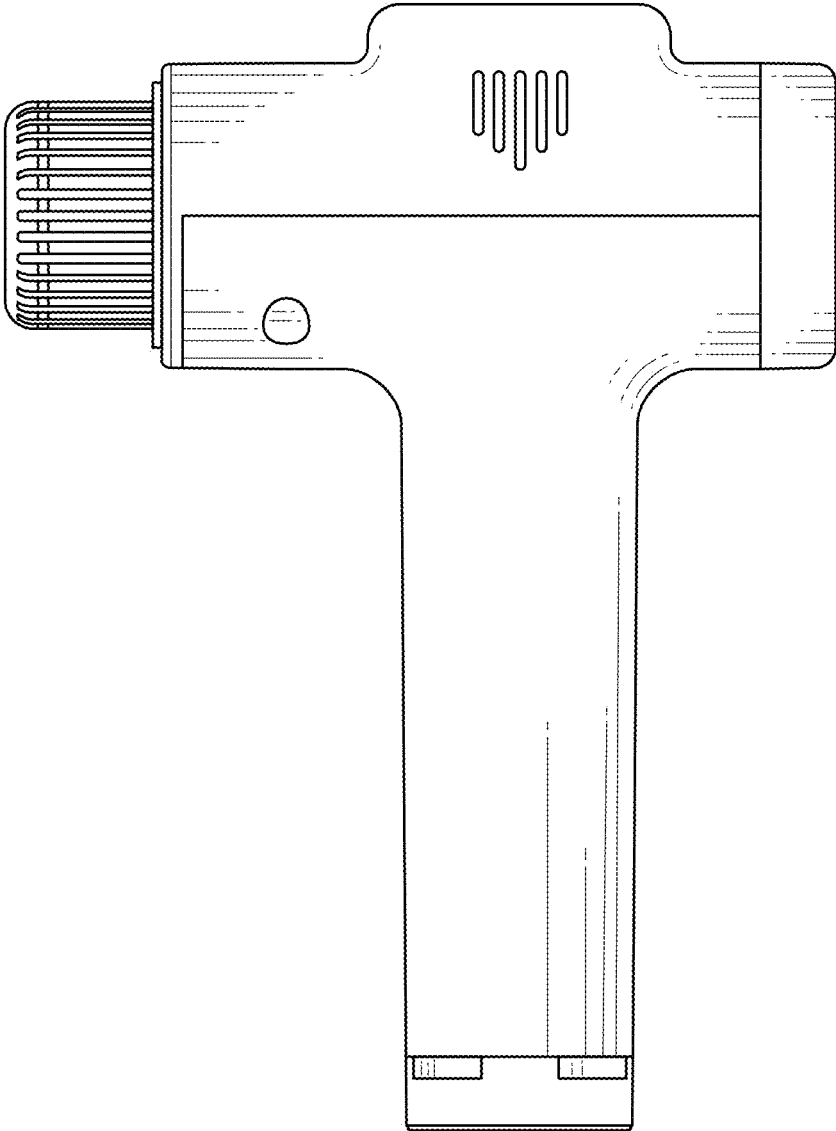


FIG. 1

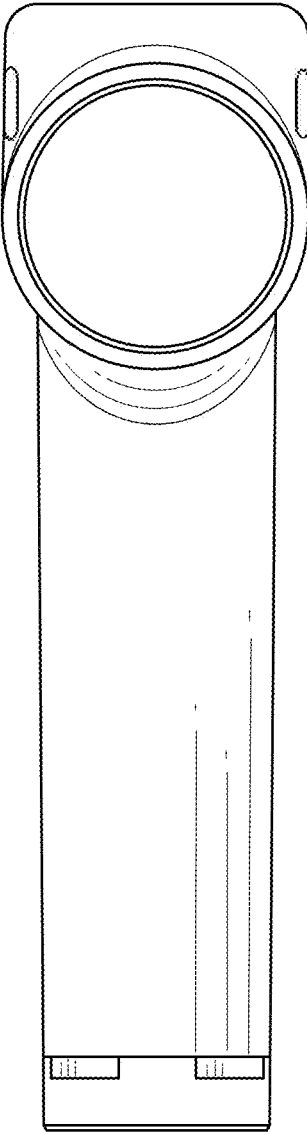


FIG. 2

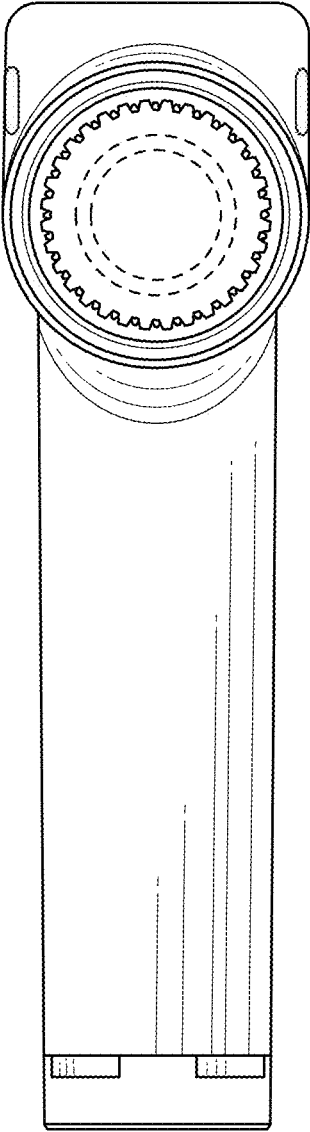


FIG. 3

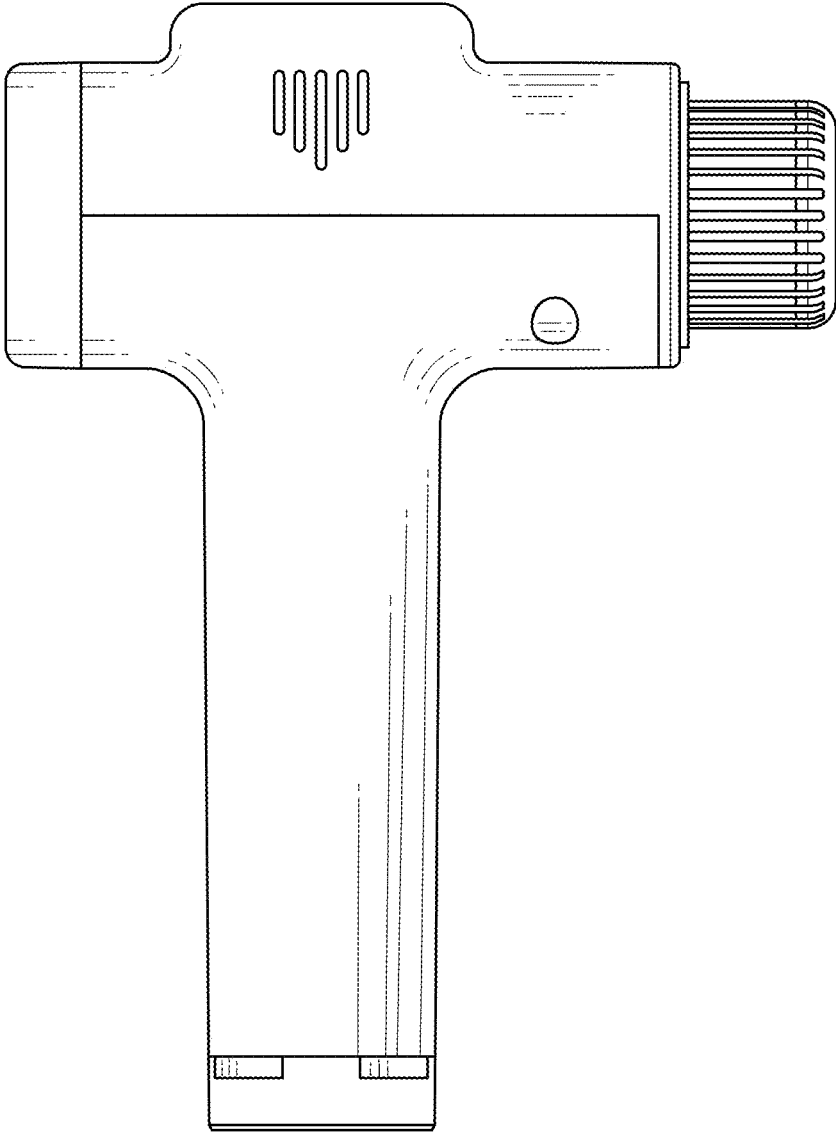


FIG. 4

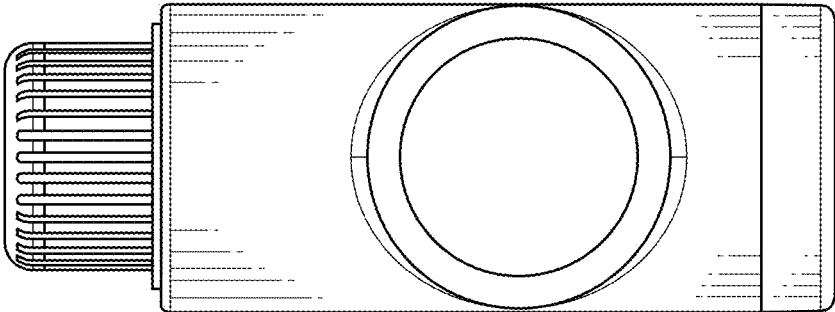


FIG. 5



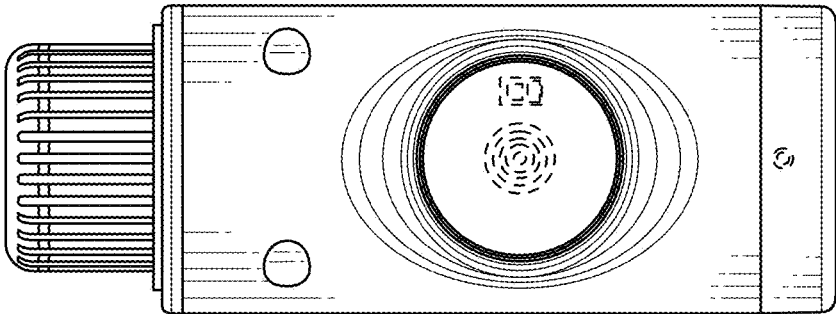


FIG. 6

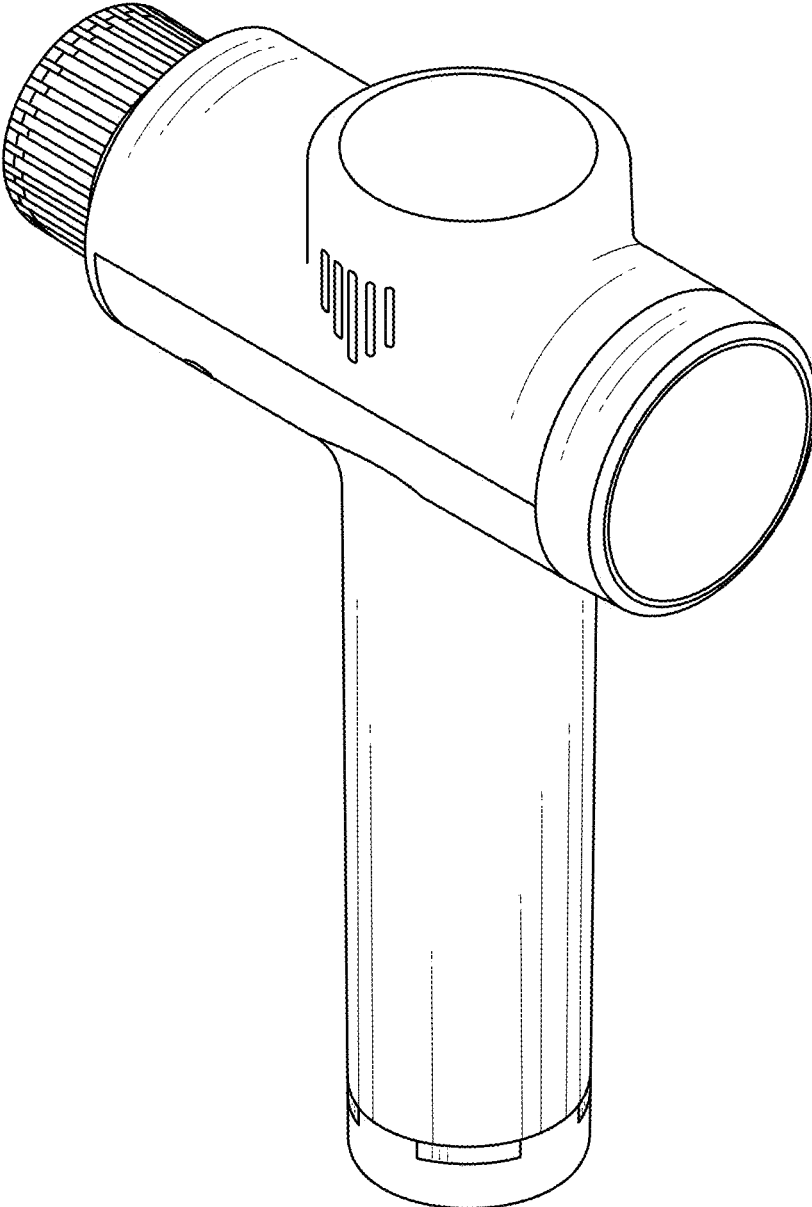


FIG. 7