



US00D927478S

(12) **United States Design Patent**
Wang

(10) **Patent No.:** **US D927,478 S**

(45) **Date of Patent:** **** Aug. 10, 2021**

(54) **MOBILE PHONE HOLDER**

(71) Applicant: **Zhongshan Feiyu Hardware Technology Co., Ltd.**, Guangdong (CN)

(72) Inventor: **Fen Wang**, Guangdong (CN)

(73) Assignee: **Zhongshan Feiyu Hardware Technology Co., Ltd.**

(**) Term: **15 Years**

(21) Appl. No.: **29/690,787**

(22) Filed: **May 10, 2019**

(30) **Foreign Application Priority Data**

Apr. 4, 2019 (CN) 201930151433.0

(51) **LOC (13) Cl.** **14-03**

(52) **U.S. Cl.**
USPC **D14/253**

(58) **Field of Classification Search**
USPC D14/217, 251-253, 447, 452, 432-434,
D14/440; D12/415; D3/218; D8/349,
D8/363, 394-396
CPC H04M 1/02; H04M 1/04; B60R 11/02;
F16M 11/00; F16M 11/04; F16M 11/06;
F16M 13/02; F16M 13/00; H05K 7/00;
H05K 5/02; A47G 1/17

See application file for complete search history.

(56) **References Cited**

U.S. PATENT DOCUMENTS

D518,029 S * 3/2006 Tsang D14/216
D620,884 S * 8/2010 Lee D13/108

D719,146 S *	12/2014	Herbst	D14/253
D723,021 S *	2/2015	Guyot	D14/253
D771,614 S *	11/2016	Chang	D14/253
D781,297 S *	3/2017	Liao	D14/447
D784,978 S *	4/2017	Hobbs	D14/253
D793,994 S *	8/2017	Herbst	D14/217
D799,468 S *	10/2017	Chen	D14/253
D824,378 S *	7/2018	Sukphisit	D14/253
D873,205 S *	1/2020	MacNeil	D12/415
D873,261 S *	1/2020	Yin	D14/253
D876,316 S *	2/2020	Peters	D12/415
D877,043 S *	3/2020	MacNeil	D12/415
D881,896 S *	4/2020	Burns	D14/447
D883,273 S *	5/2020	Chen	D14/253
2012/0241581 A1 *	9/2012	Chung	F16M 11/10 248/346.06
2014/0135062 A1 *	5/2014	Bevirt	F16M 11/2078 455/556.1

* cited by examiner

Primary Examiner — Janice Hallmark
(74) *Attorney, Agent, or Firm* — Lerner, David, Littenberg, Krumholz & Mentlik, LLP

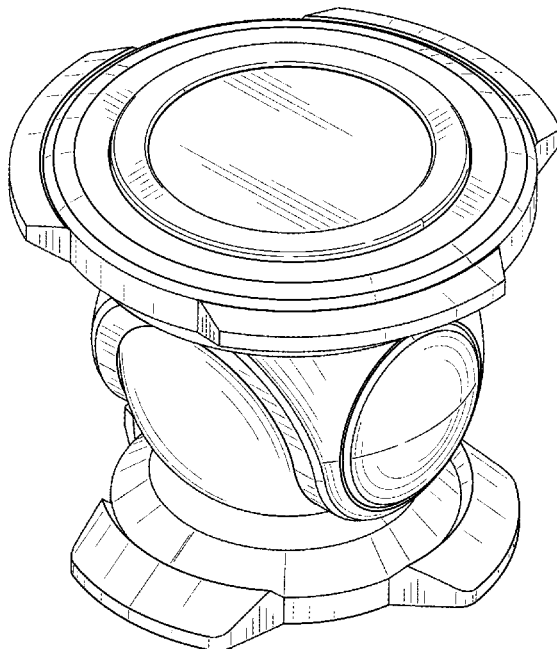
(57) **CLAIM**

The ornamental design for a mobile phone holder, as shown and described.

DESCRIPTION

FIG. 1 is a front elevation view of a mobile phone holder showing my new design;
FIG. 2 is a rear elevation view thereof;
FIG. 3 is a left side elevation view thereof;
FIG. 4 is a right side elevation view thereof;
FIG. 5 is a top plan view thereof;
FIG. 6 is a bottom plan view thereof; and,
FIG. 7 is a perspective view thereof.

1 Claim, 7 Drawing Sheets



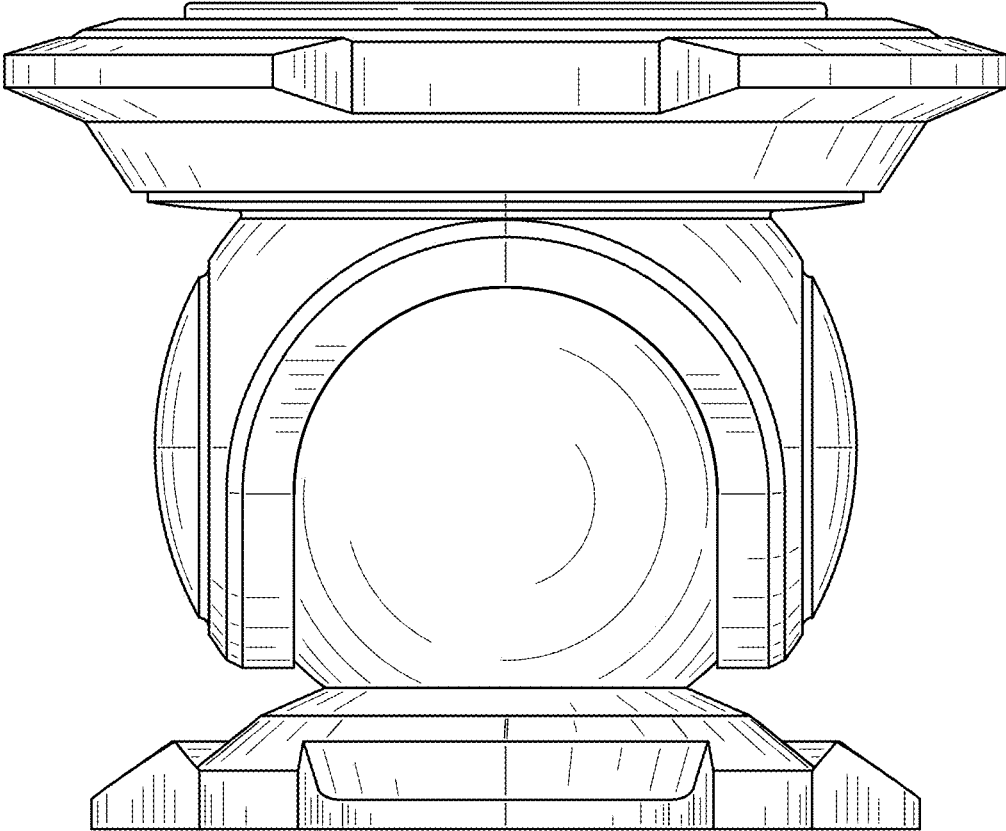


FIG. 1

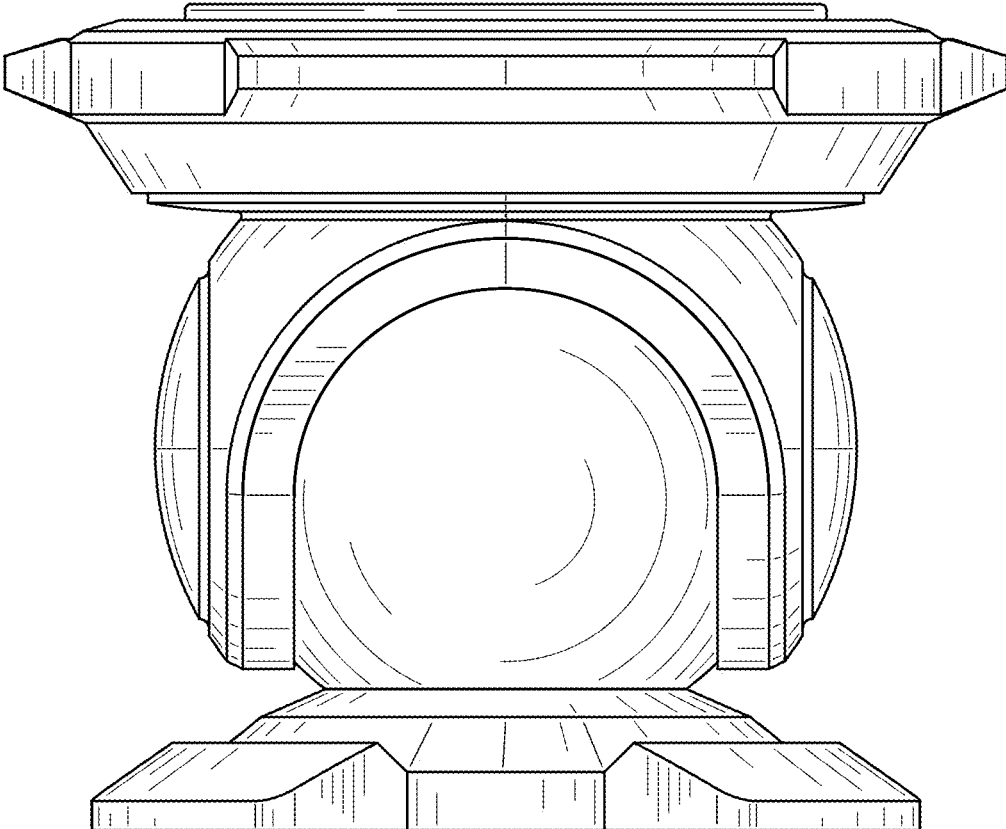


FIG. 2

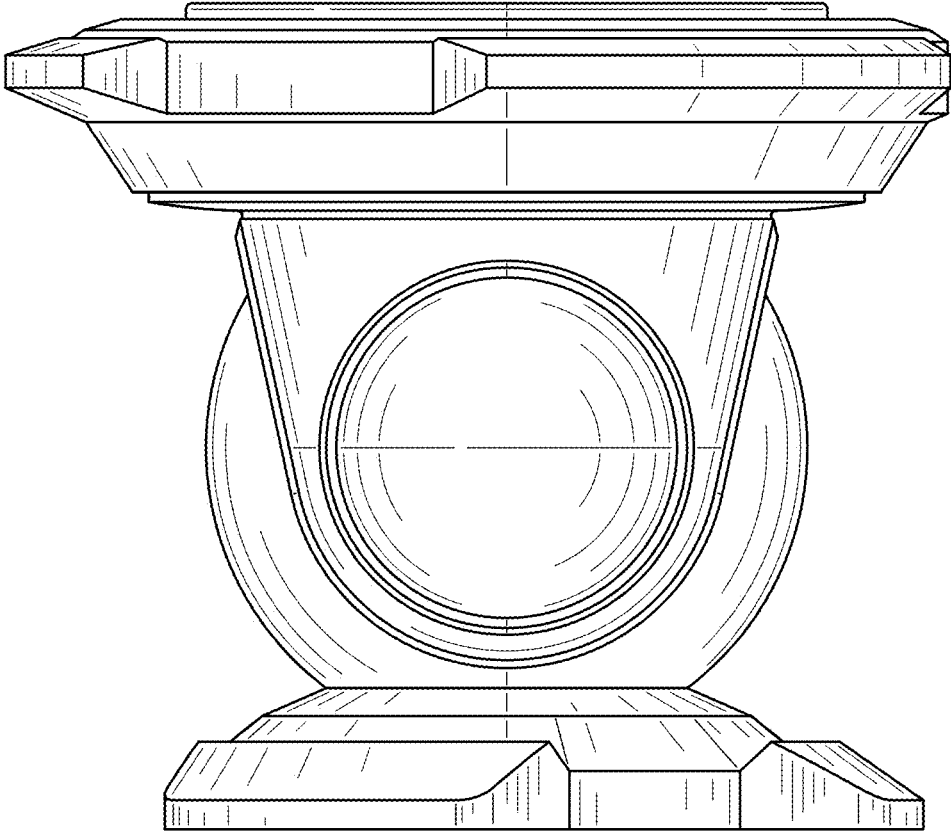


FIG. 3

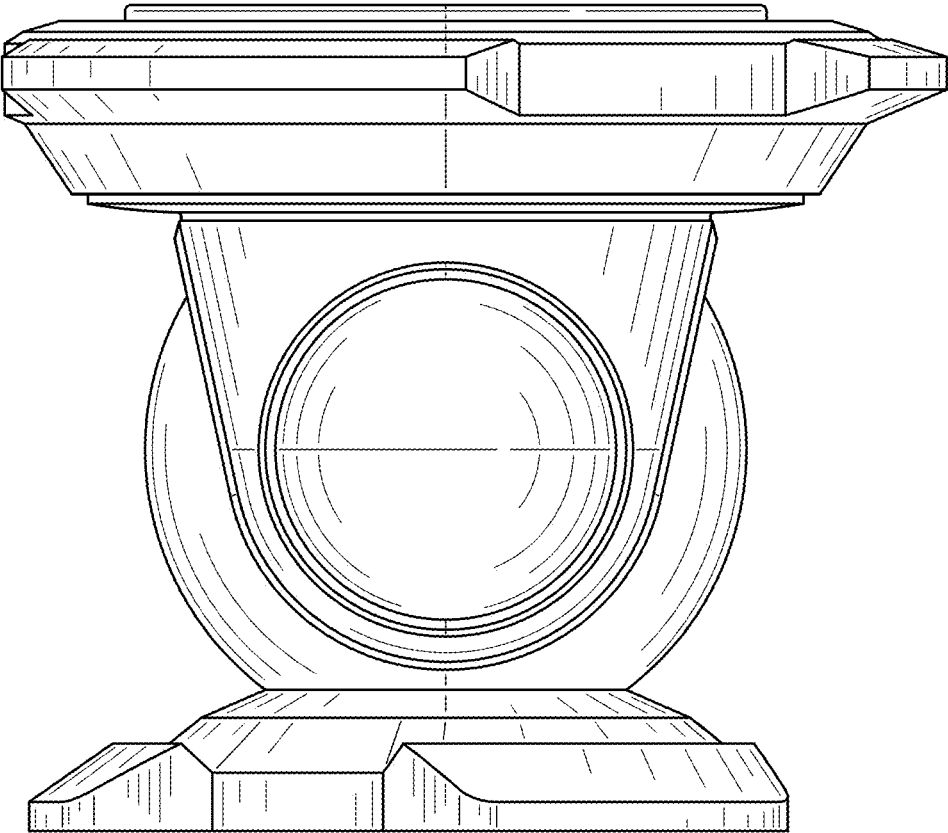


FIG. 4

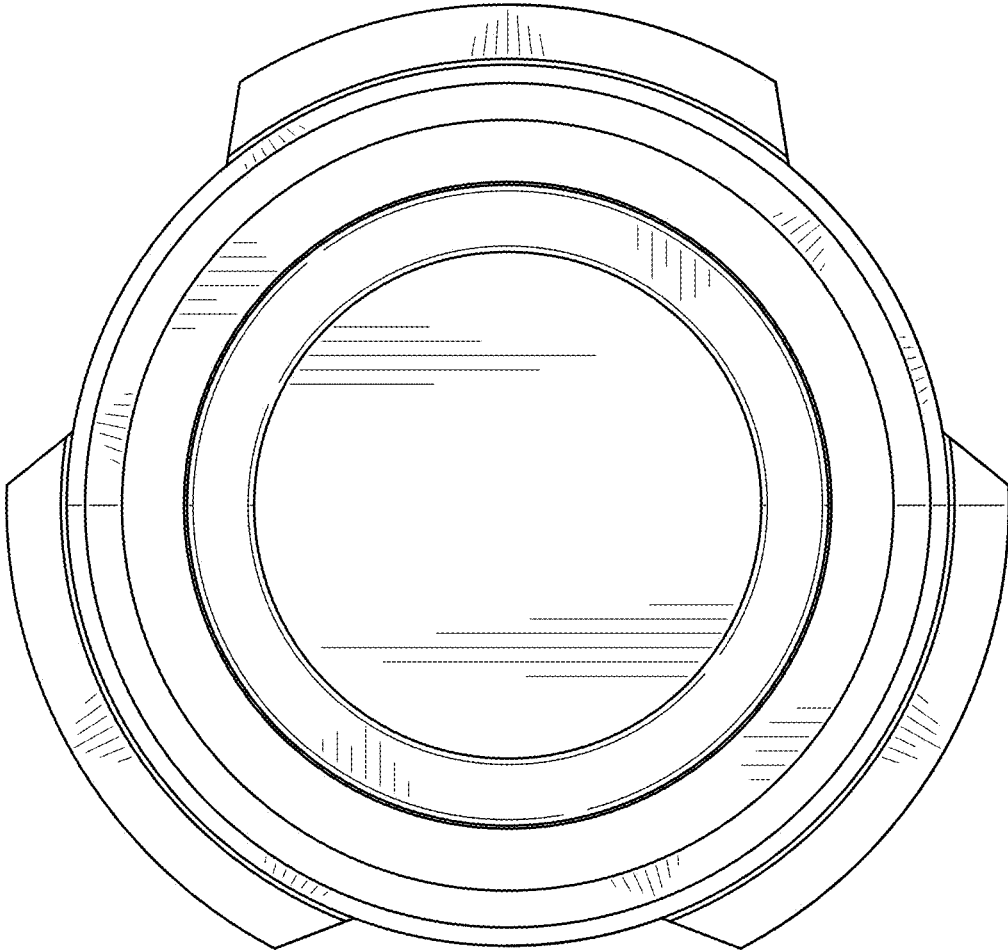


FIG. 5

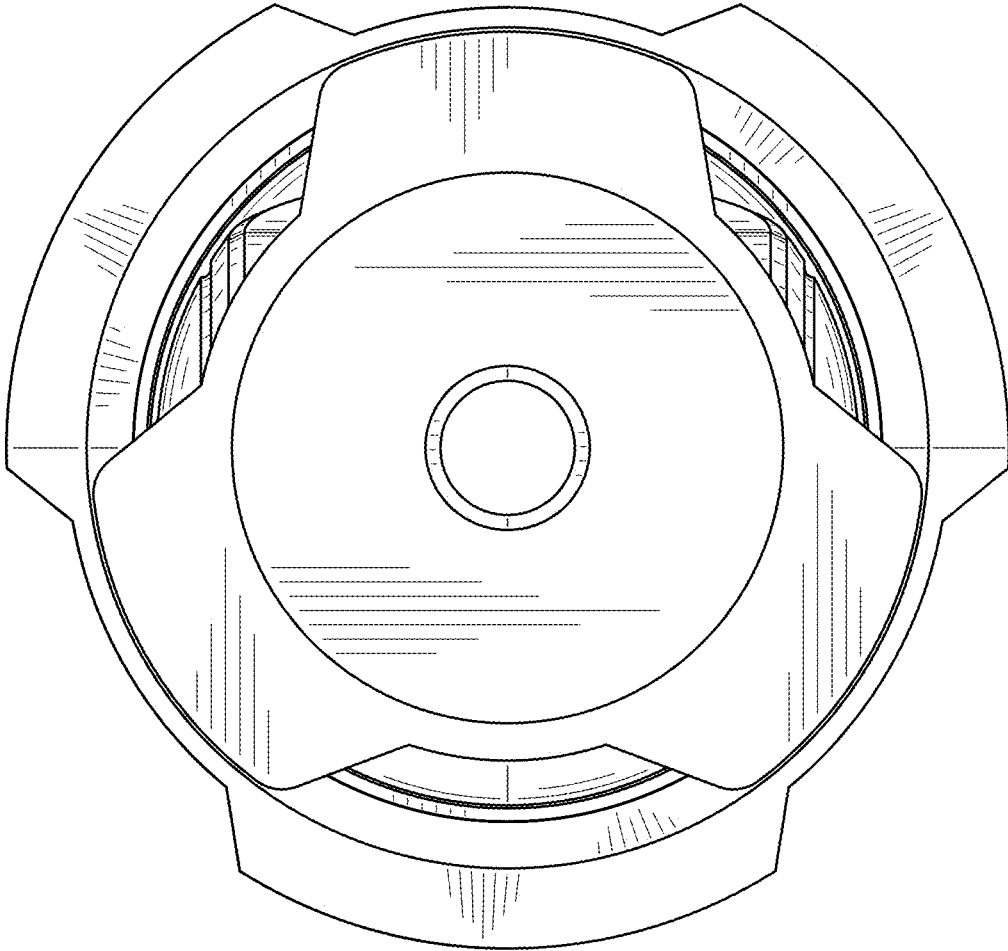


FIG. 6

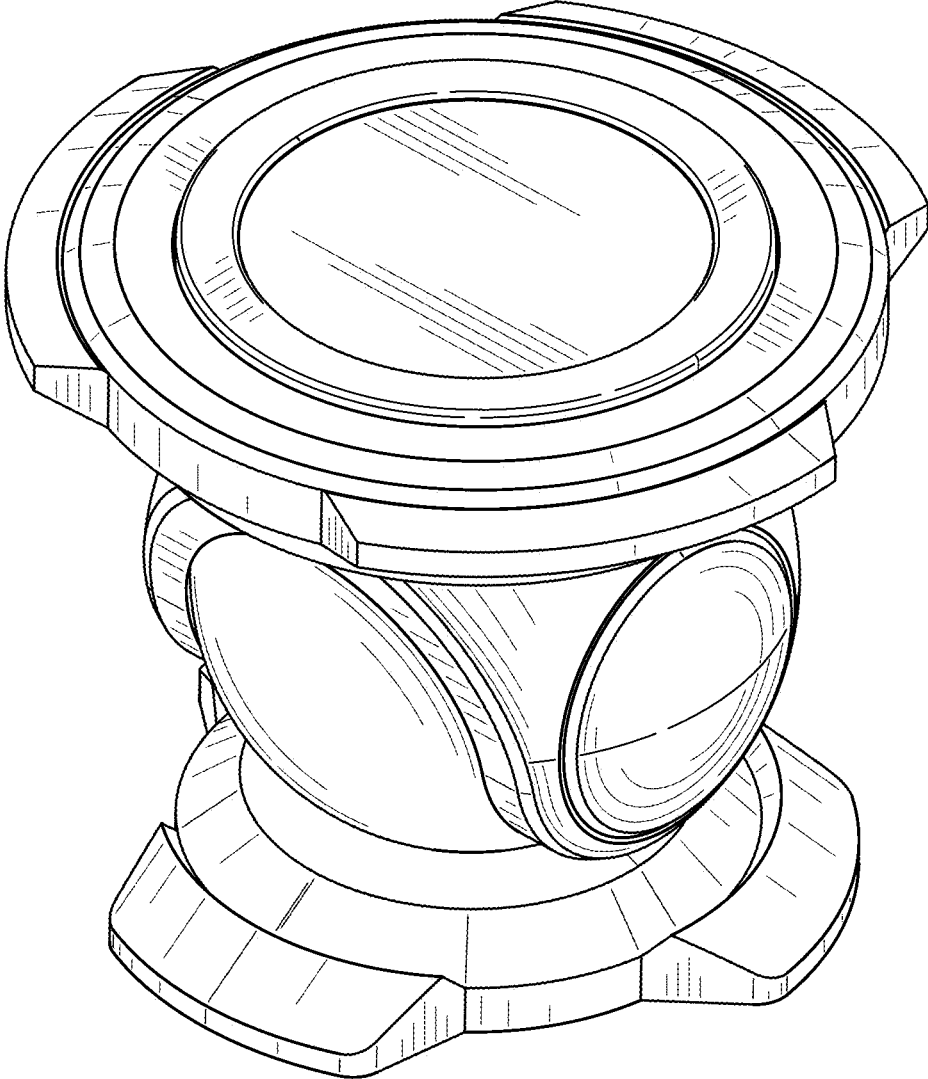


FIG. 7