



US00D825115S

(12) **United States Design Patent**
Gevaert

(10) **Patent No.:** **US D825,115 S**

(45) **Date of Patent:** **** Aug. 7, 2018**

(54) **FEEDER AND WATERER FOR ANIMALS**

(71) Applicant: **MP GROUP NV**, Izegem (BE)

(72) Inventor: **Sabine Gevaert**, Bredene (BE)

(**) Term: **15 Years**

(21) Appl. No.: **35/503,220**

(22) Filed: **Jun. 2, 2017**

(80) **Hague Agreement Data**

Int. Filing Date: **Jun. 2, 2017**

Int. Reg. No.: **DM/096361**

Int. Reg. Date: **Jun. 2, 2017**

Int. Reg. Pub. Date: **Jun. 23, 2017**

(51) **LOC (11) Cl.** **30-03**

(52) **U.S. Cl.**

USPC **D30/130**

(58) **Field of Classification Search**

USPC D30/129-133

CPC .. A01K 5/0114; A01K 5/0135; A01K 5/0142;

A01K 7/00; A01K 5/01

See application file for complete search history.

(56) **References Cited**

U.S. PATENT DOCUMENTS

D467,045	S *	12/2002	Tsengas	D30/130
D551,400	S *	9/2007	Tsengas	D30/133
D577,466	S *	9/2008	Shamoon	D30/121
D592,814	S *	5/2009	Uffner	D30/130
D597,262	S *	7/2009	Shamoon	D30/130
D602,652	S *	10/2009	Horvath	D30/130

D618,862	S *	6/2010	Shamoon	D30/121
D625,887	S *	10/2010	Becattini, Jr.	D30/130
D642,338	S *	7/2011	Becattini, Jr.	D30/130
D662,674	S *	6/2012	Tsengas	D30/130
8,516,975	B2 *	8/2013	Becattini, Jr.	A01K 7/005
					119/51.5
D721,209	S *	1/2015	Hove	D30/133
D755,447	S *	5/2016	Andrews	D30/129
D758,675	S *	6/2016	Breit	D30/130
D782,128	S *	3/2017	Wechsler	D30/121
D797,383	S *	9/2017	Peninger	D30/133
D802,853	S *	11/2017	MacNeil	D30/133
2009/0199775	A1 *	8/2009	Shamoon	A01K 5/0114
					119/61.56
2014/0346293	A1 *	11/2014	Qiu	A01K 5/0114
					248/176.1

* cited by examiner

Primary Examiner — George D Kirschbaum

Assistant Examiner — Jennifer L Watkins

(57) **CLAIM**

The ornamental design for a feeder and waterer for animals, as shown and described.

DESCRIPTION

1. Feeder and waterer for animals

1.1 is a perspective view of a feeder and waterer for animals showing our new design;

1.2 is an exploded view thereof;

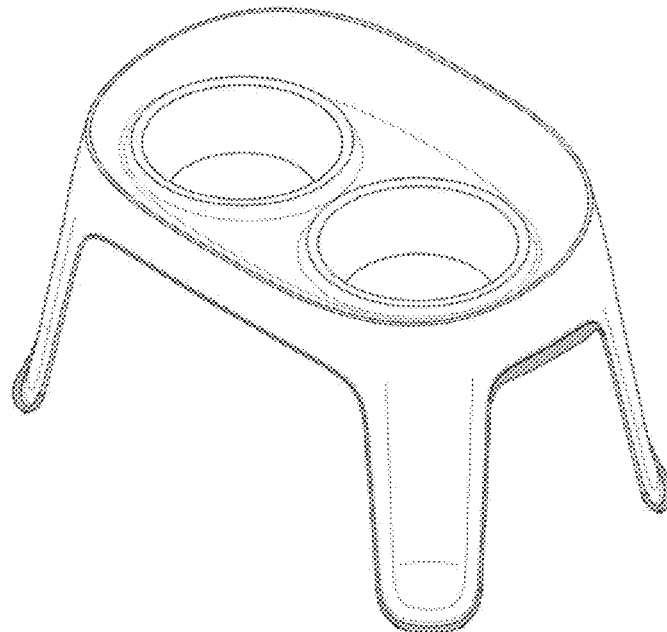
1.3 is a front view thereof;

1.4 is a left view thereof;

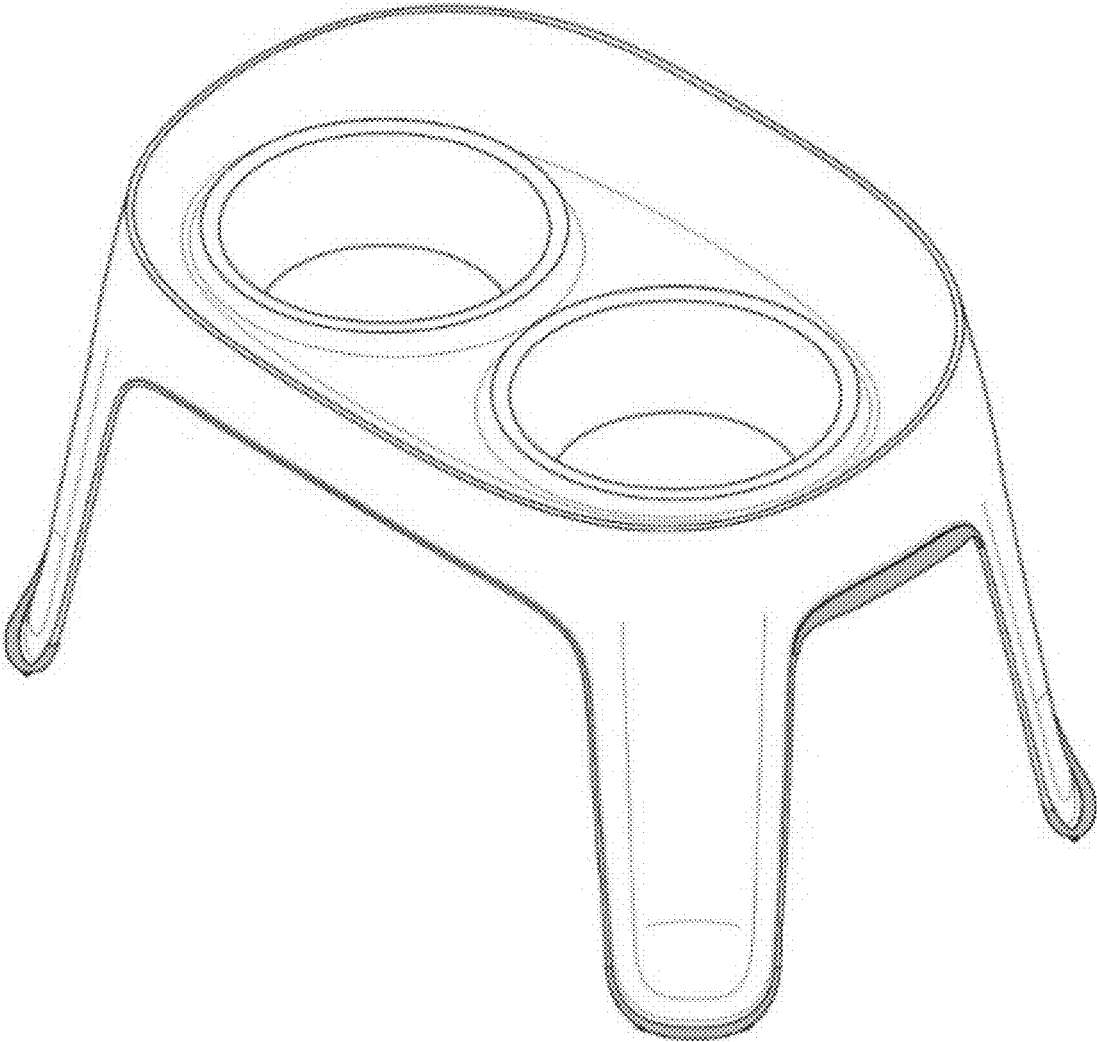
1.5 is an enlarged view thereof; and

1.6 is a top view thereof showing the feeder and waterer for animals with the two bowls removed.

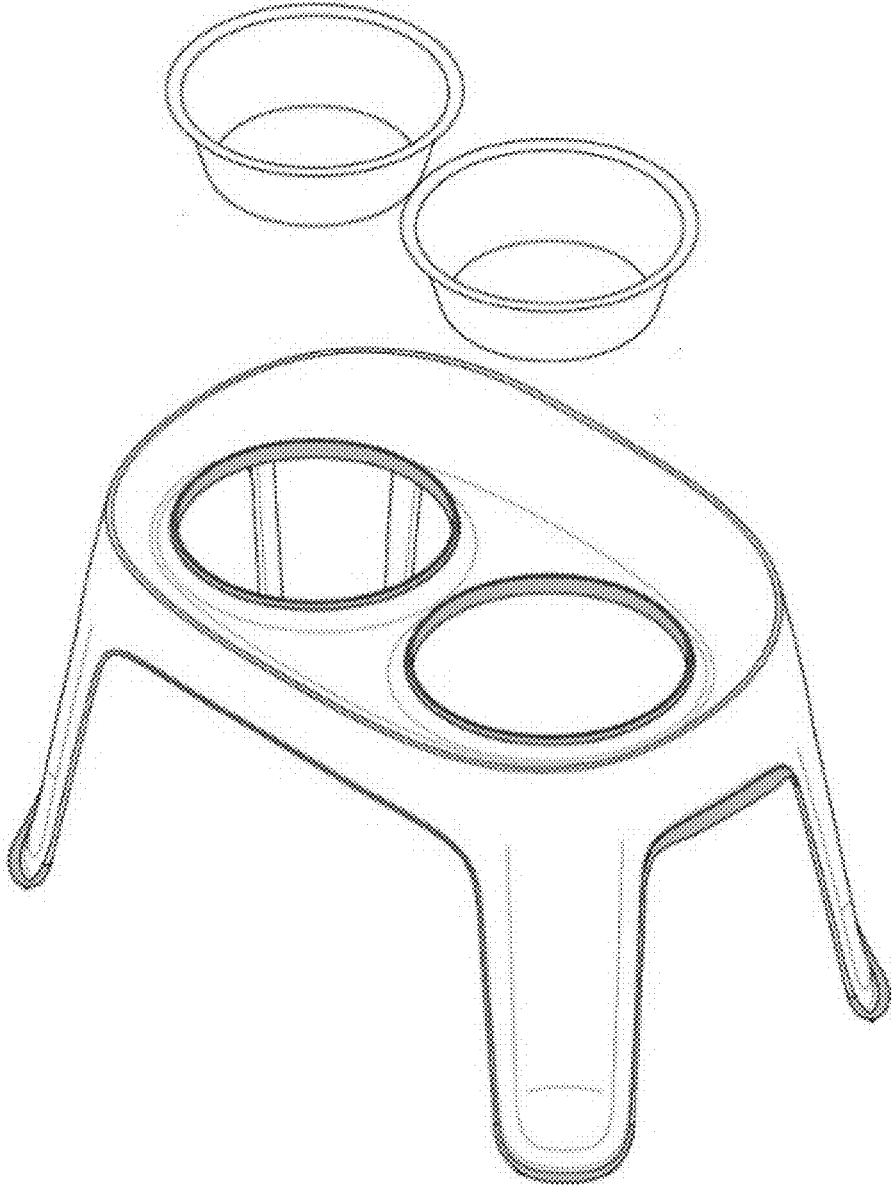
1 Claim, 6 Drawing Sheets



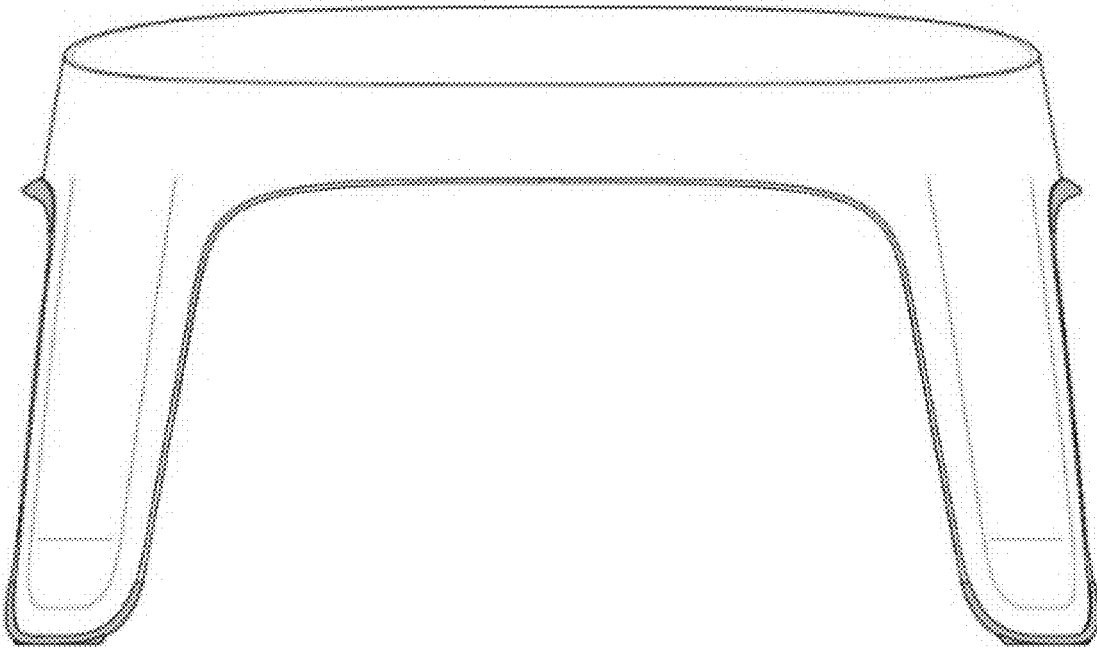
1.1



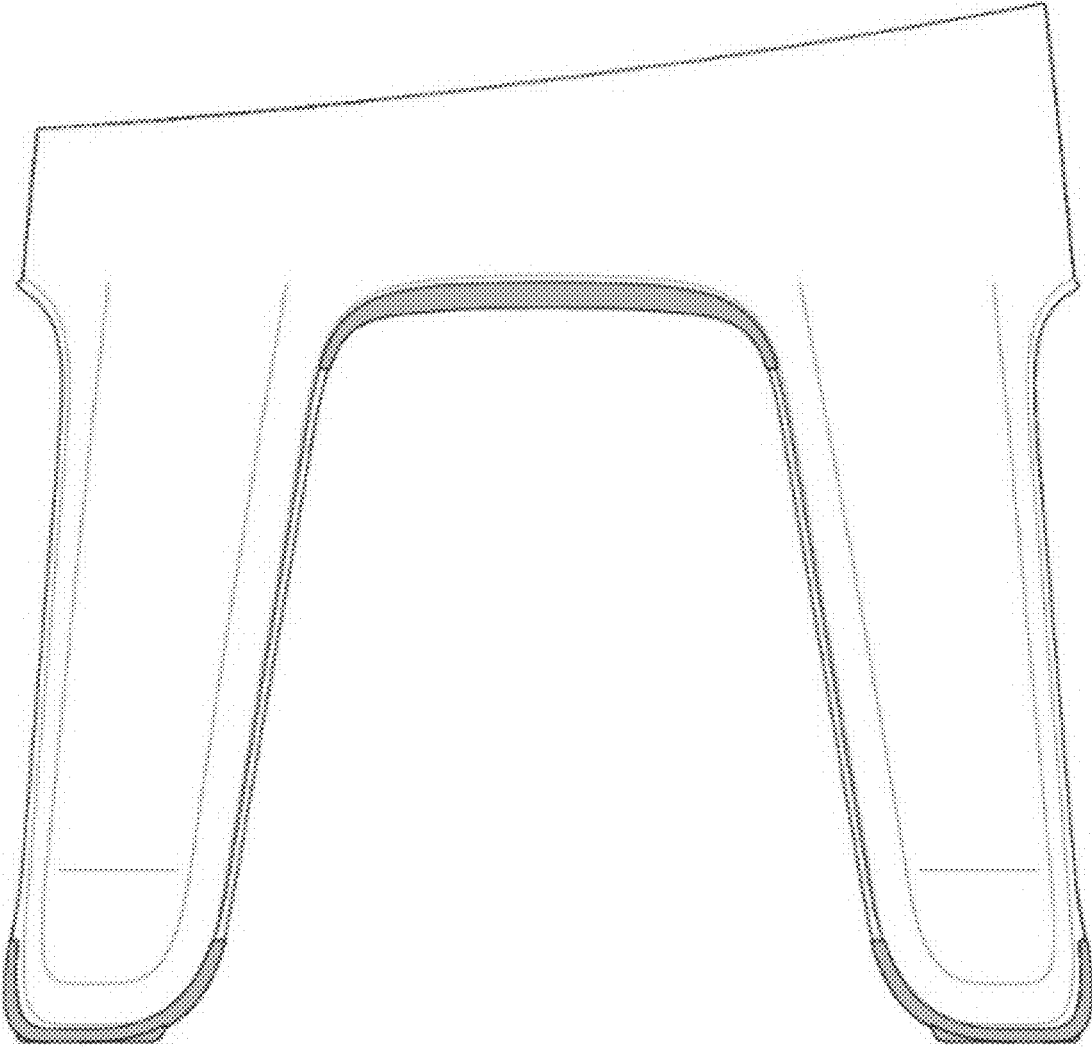
1.2



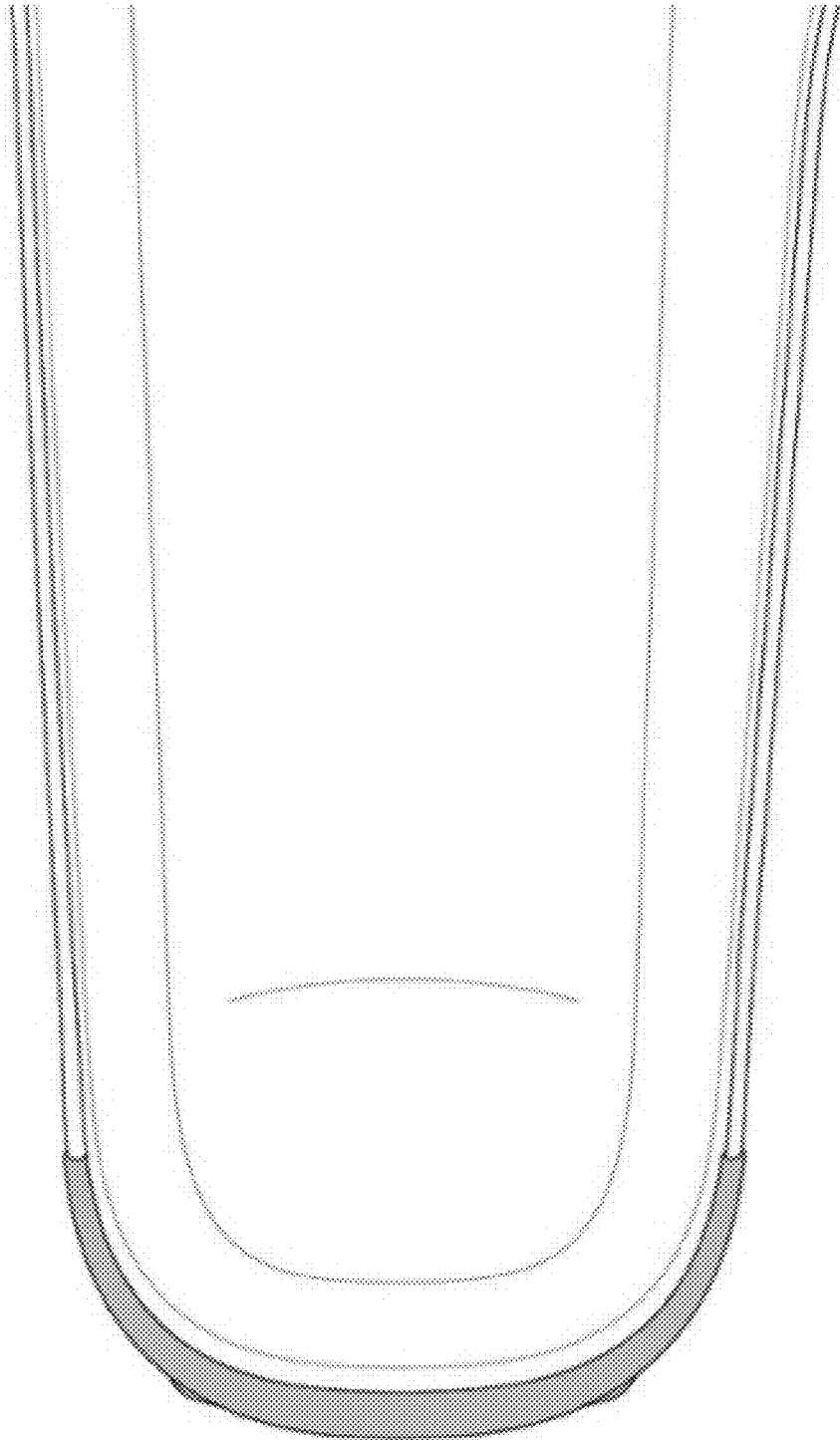
1.3



1.4



1.5



1.6

