



US00D434462S

United States Patent [19]

[11] Patent Number: Des. 434,462

Reed et al.

[45] Date of Patent: ** Nov. 28, 2000

[54] GOLF CLUB HEAD

[75] Inventors: **Timothy R. Reed**, Hawthorne Woods; **Katrina D. Buerkle**, Chicago; **John G. Wooster**, Winnetka, all of Ill.

[73] Assignee: **TearDrop Golf Company**, Morton Grove, Ill.

[**] Term: **14 Years**

[21] Appl. No.: **29/118,398**

[22] Filed: **Feb. 8, 2000**

[51] LOC (7) Cl. **21-02**

[52] U.S. Cl. **D21/747**

[58] Field of Search D21/747-751, D21/759; 473/350, 324, 327-331

[56] **References Cited**

U.S. PATENT DOCUMENTS

D. 300,547	4/1989	Kobayashi	D21/748
D. 327,109	6/1992	Hardman et al.	D21/748
D. 327,523	6/1992	Iinuma et al.	D21/748
D. 354,537	1/1995	Takahashi et al.	D21/748
D. 379,485	5/1997	Ragano	D21/749
D. 383,820	9/1997	Watanabe	D21/749
D. 386,549	11/1997	Takahashi et al.	D21/748
D. 428,635	7/2000	Nagai et al.	D21/759
3,751,035	8/1973	Lockwood	.	
4,645,207	2/1987	Teramoto et al.	.	
4,715,601	12/1987	Lamanna	.	
4,802,672	2/1989	Long	.	
4,854,580	8/1989	Kobayashi	.	
5,026,056	6/1991	McNally et al.	.	
5,160,136	11/1992	Eger	.	
5,290,032	3/1994	Fenton et al.	.	
5,316,297	5/1994	Chappell	.	
5,333,872	8/1994	Manning et al.	.	
5,388,826	2/1995	Sherwood	.	

OTHER PUBLICATIONS

Mizuno "MP-14" model clubs sold at least as early as Sep., 1993.

Wilson "Progressive" model irons, sold at least as early as Sep., 1993.

RAM "Lazer X2" model irons, sold at least as early as Aug., 1995.

Primary Examiner—Mitchell Siegel
Attorney, Agent, or Firm—Tilton, Fallon, Lungmus & Chestnut

[57] **CLAIM**

The ornamental design for a golf club head, as shown and described.

DESCRIPTION

FIG. 1 is a rear perspective view of a golf club head embodying our new design, with a golf club shaft and grip shown in broken lines for illustrative purposes only;

FIG. 2 is a rear elevation view of the golf club head shown in FIG. 1;

FIG. 3 is a front elevation of the golf club head shown in FIG. 1;

FIG. 4 is a toe-end elevation of the golf club head shown in FIG. 1;

FIG. 5 is a top plan view of the golf club head shown in FIG. 1;

FIG. 6 is a sectional view of the golf club head shown in FIG. 2 taken along lines 6—6 thereof;

FIG. 7 is sectional view of the golf club head shown in FIG. 2 viewed along lines 7—7 thereof;

FIG. 8 is a sectional view of the golf club head shown in FIG. 2 viewed along lines 8—8 thereof;

FIG. 9 is a heel-end elevation of the golf club head shown in FIG. 1;

FIG. 10 is a rear perspective view of a second embodiment of a golf club head as disclosed in FIG. 1;

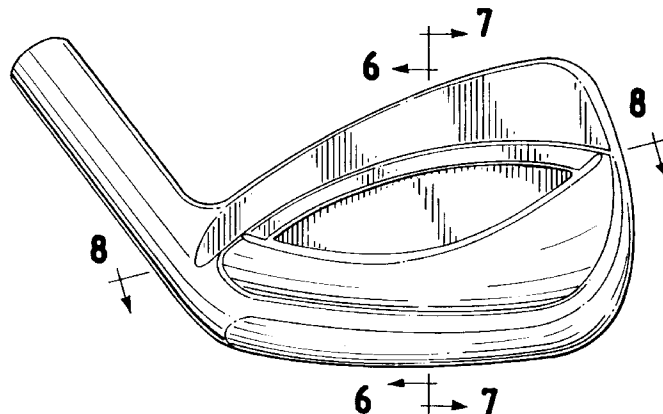
FIG. 11 is a sectional view of the golf club head shown in FIG. 10 viewed along lines 11—11 thereof;

FIG. 12 is sectional view of the golf club head shown in FIG. 10 viewed along lines 12—12 thereof; and,

FIG. 13 is a sectional view of the golf club head shown in FIG. 10 as viewed along lines 13—13 thereof.

The front elevation, toe-end elevation, top plan, and heel-end elevation views of the embodiment of FIG. 10 are the same as the respective similar views of the embodiment of FIG. 1.

1 Claim, 2 Drawing Sheets



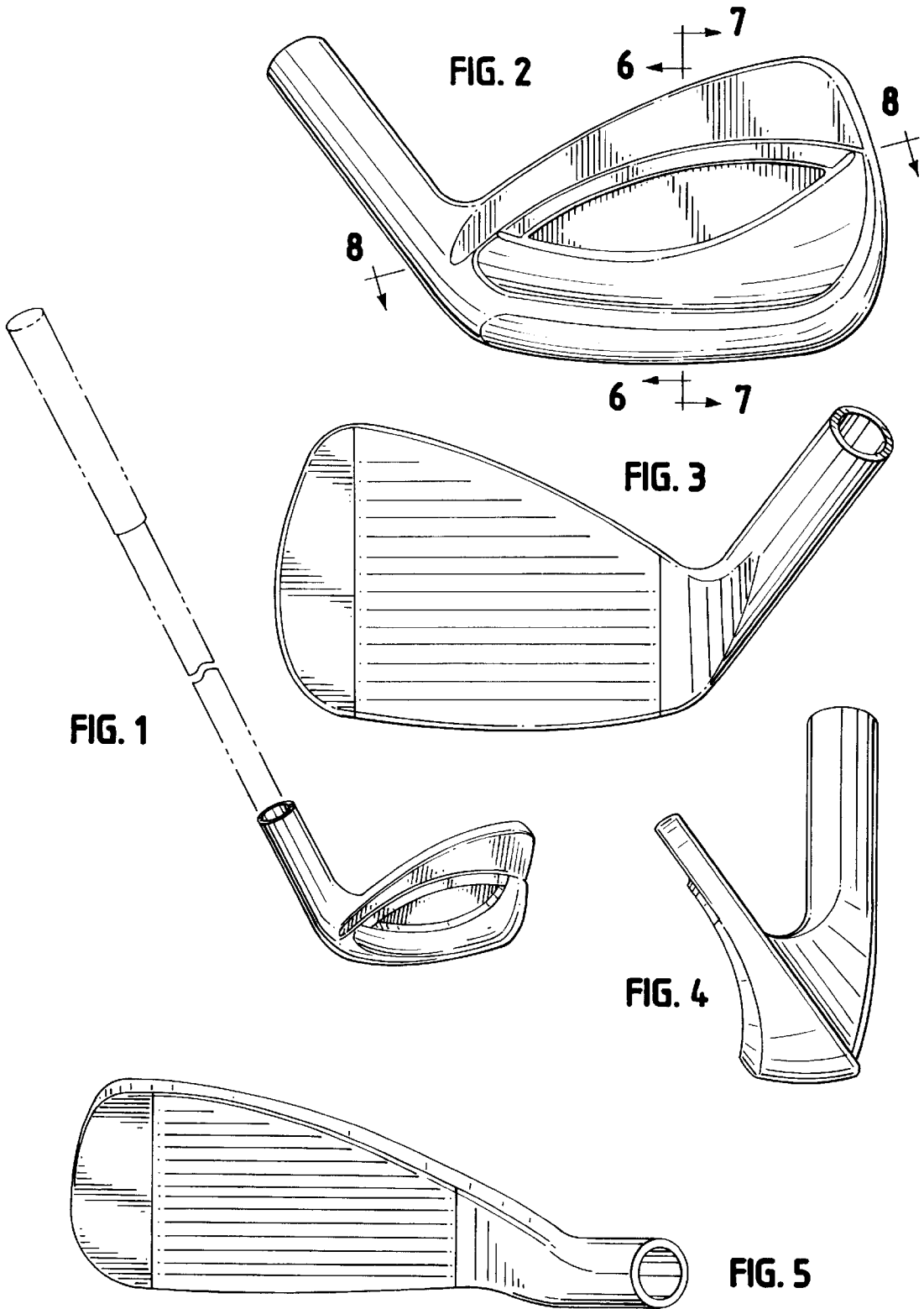


FIG. 6

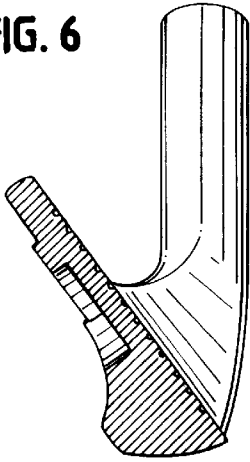


FIG. 7

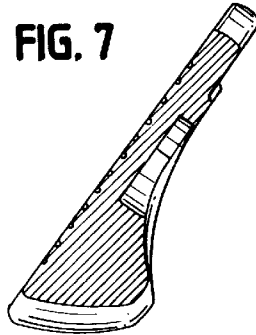


FIG. 9

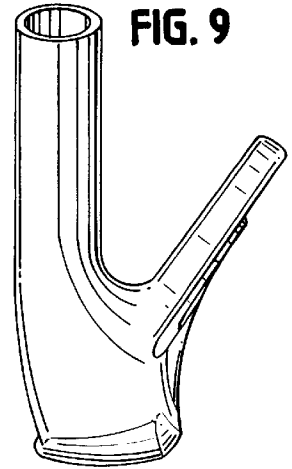


FIG. 8

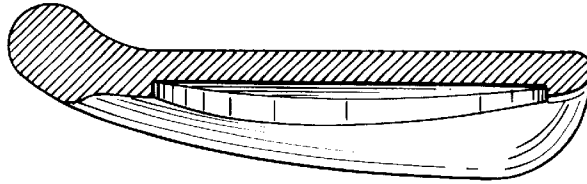


FIG. 11

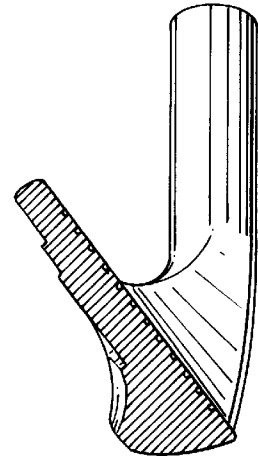


FIG. 10

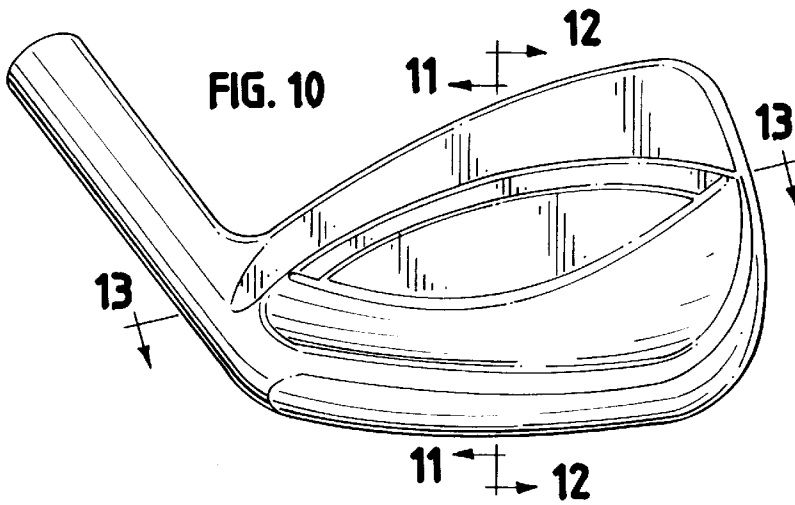


FIG. 12

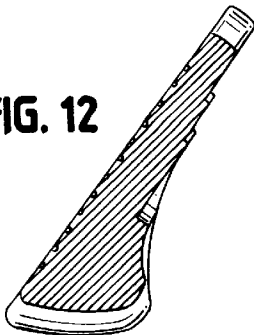


FIG. 13

