



US00D402852S

United States Patent [19]

[11] Patent Number: **Des. 402,852**

Benson

[45] Date of Patent: ****Dec. 22, 1998**

[54] **BOWL**

[75] Inventor: **Kenneth R. Benson**, Southbury, Conn.

[73] Assignee: **Syracuse China Company**, Syracuse, N.Y.

[**] Term: **14 Years**

D. 346,311 4/1994 Boysen D7/570
 1,589,558 6/1926 Reizenstein 220/574
 1,960,407 5/1934 Bothe 220/574
 2,050,206 8/1936 Chaplin 220/574
 2,763,421 9/1956 Bennett 229/406

Primary Examiner—M. N. Pandozzi
Attorney, Agent, or Firm—Emch, Schaffer, Schaub & Porcello Co., L.P.A.

[21] Appl. No.: **74,788**

[22] Filed: **Jul. 31, 1997**

[57] CLAIM

The ornamental design for a bowl, as shown and described.

[51] **LOC (6) Cl.** **07-01**

[52] **U.S. Cl.** **D7/545; D7/543**

[58] **Field of Search** D7/629, 605, 540,
 D7/511, 586, 543, 566, 568, 570, 584,
 587, 530, 542, 545, 548, 550, 565, 354,
 360, 602, 608, 614, 554.3; 220/574, 606,
 212; 229/406

DESCRIPTION

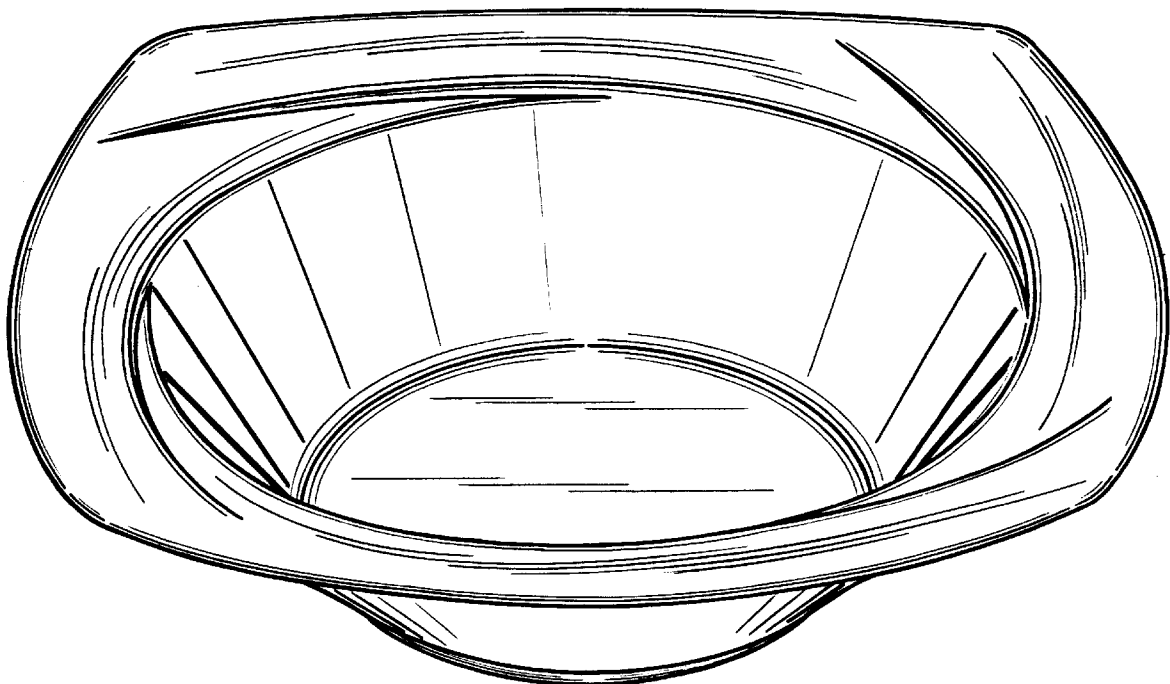
FIG. 1 is a perspective view of a first embodiment of the present design;
 FIG. 2 is a side elevational view of the first embodiment; the other side elevational views being mirror images thereof;
 FIG. 3 is a top view of the first embodiment;
 FIG. 4 is a bottom view of the first embodiment;
 FIG. 5 is a side elevational view of a second embodiment of the present design; the other side elevational views being mirror images thereof;
 FIG. 6 is a top view of the second embodiment;
 FIG. 7 is a bottom view of the second embodiment;
 FIG. 8 is a side elevational view of a third embodiment of the present design; the other side elevational views being mirror images thereof;
 FIG. 9 is a top view of the third embodiment; and,
 FIG. 10 is a bottom view of the third embodiment.

[56] **References Cited**

U.S. PATENT DOCUMENTS

D. 33,217 9/1900 Chevrier D7/586
 D. 50,401 2/1917 Miller D7/565
 D. 83,961 4/1931 Fisher D7/565
 D. 102,362 12/1936 Friedman et al. D7/354
 D. 115,524 7/1939 Randall D7/565
 D. 119,279 3/1940 May D7/565
 D. 160,860 11/1950 Heisey D7/565
 D. 184,651 3/1959 Woofler et al. D7/545
 D. 191,123 8/1961 Jones D7/554.3

1 Claim, 7 Drawing Sheets



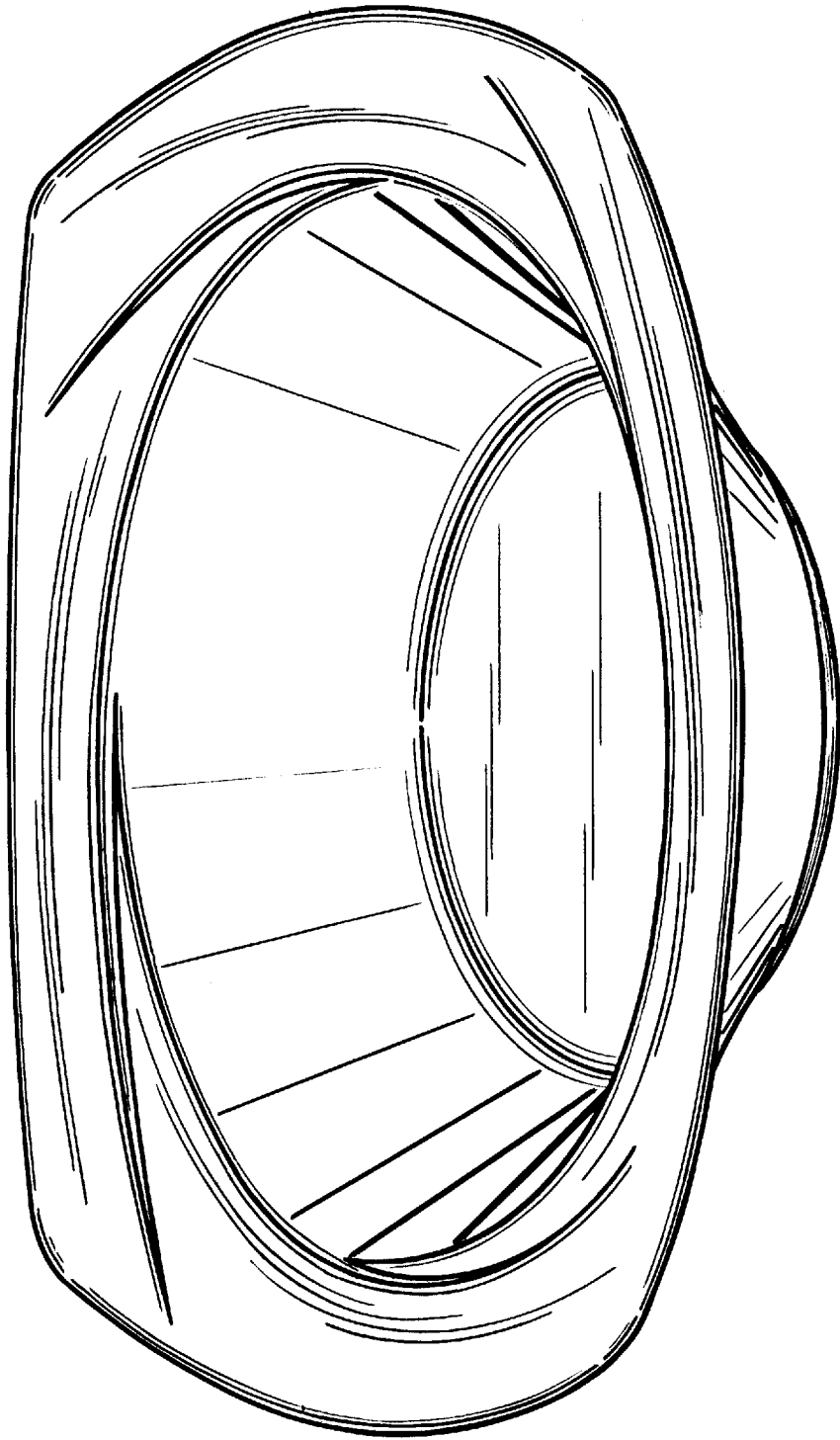


FIG. 1

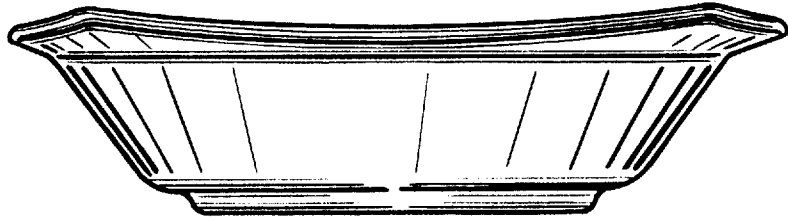


FIG. 2

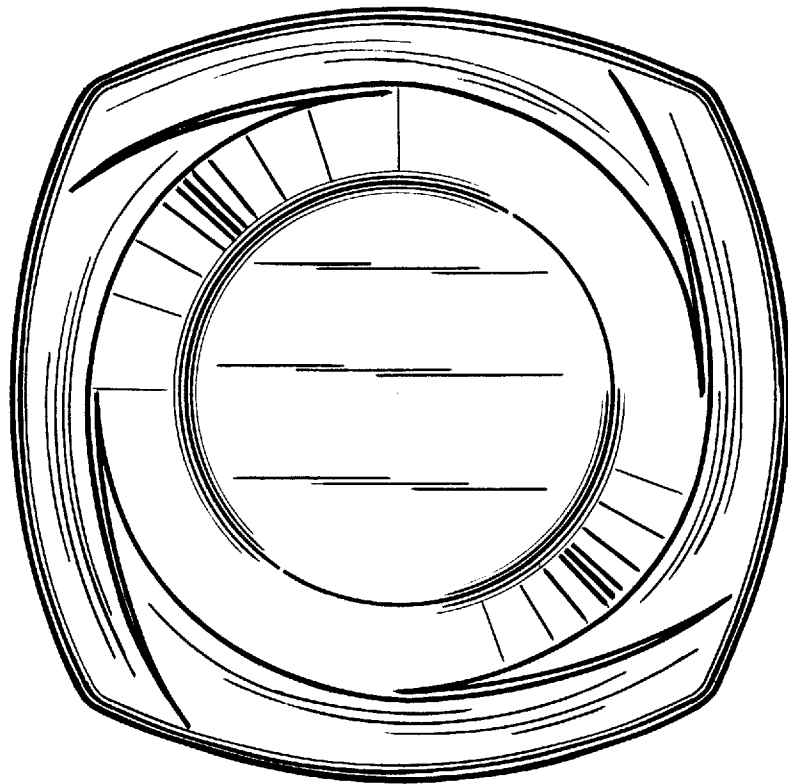


FIG. 3

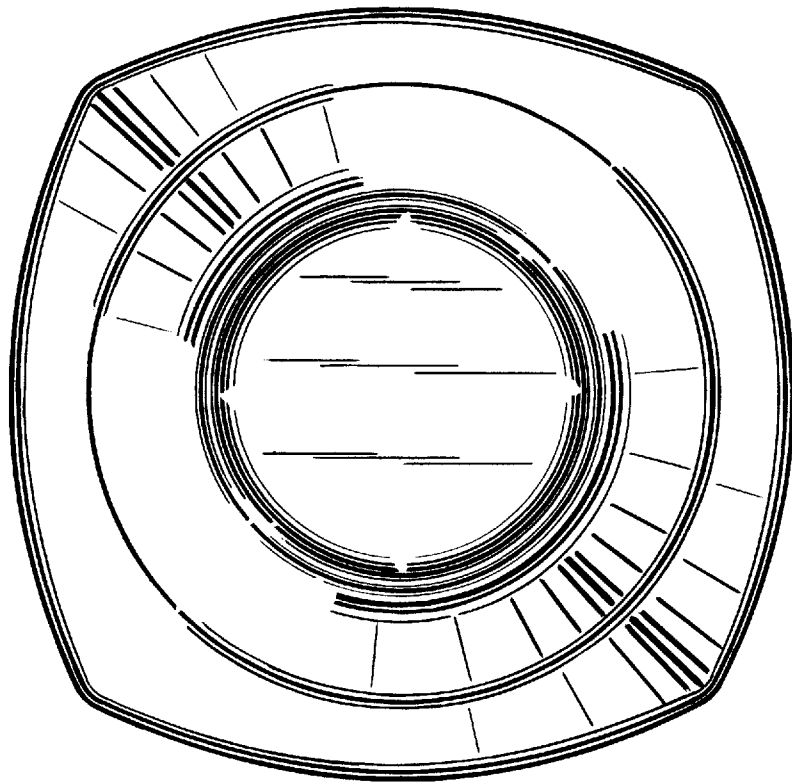


FIG. 4

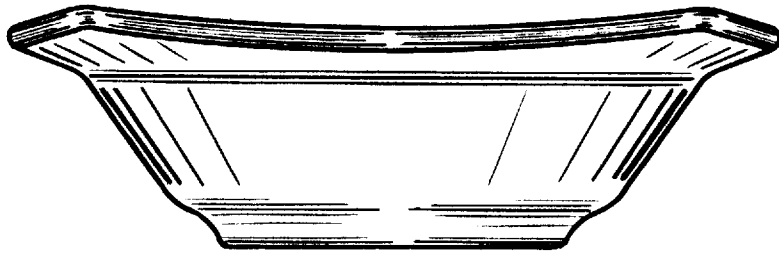


FIG. 5

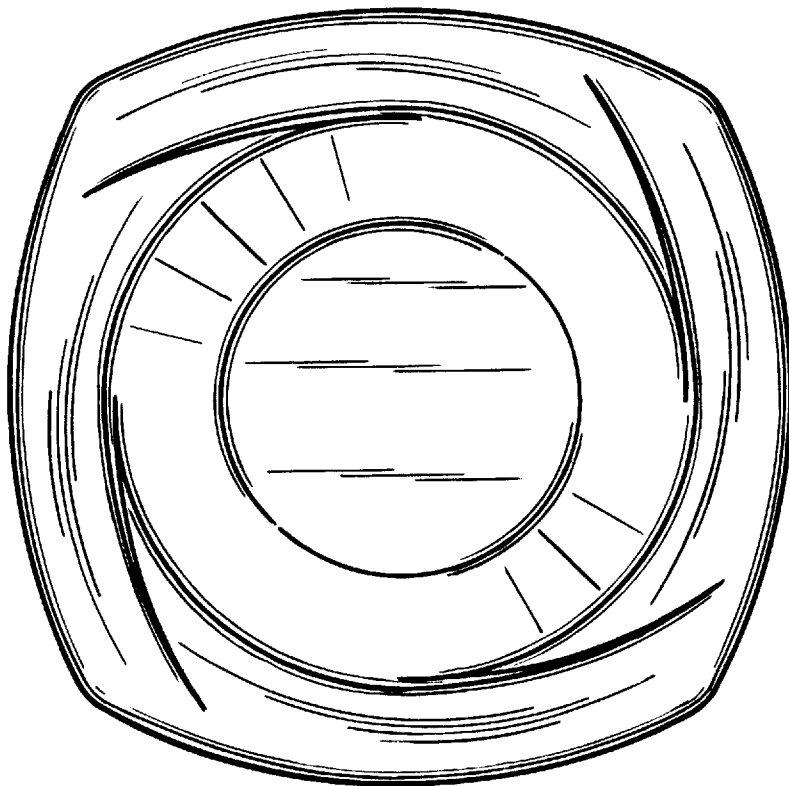


FIG. 6

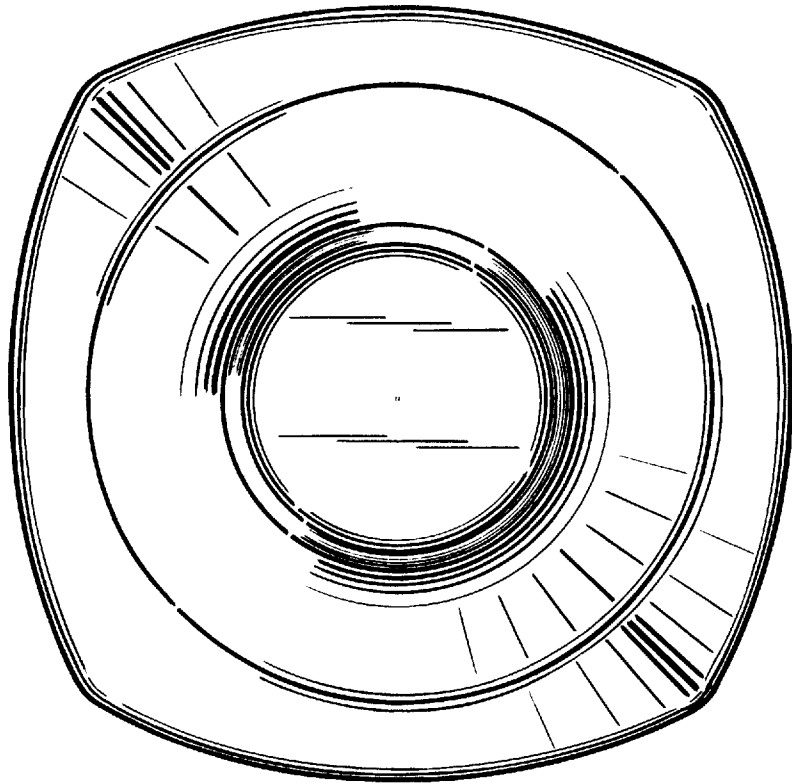


FIG. 7

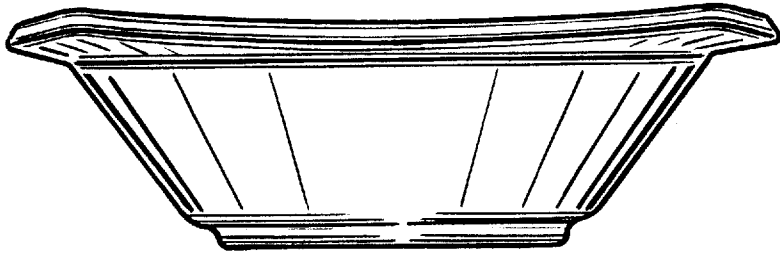


FIG. 8

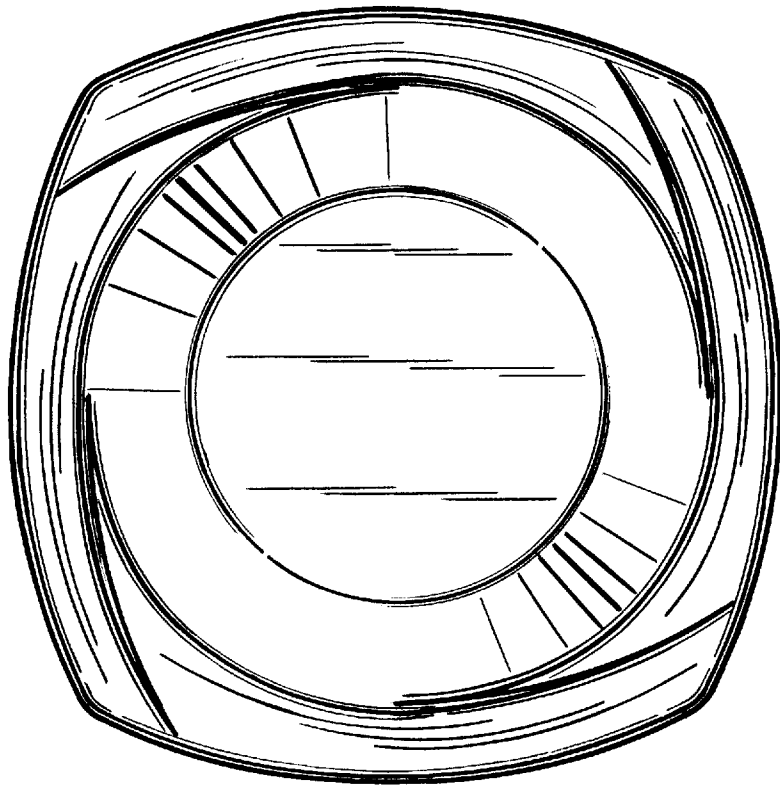


FIG. 9

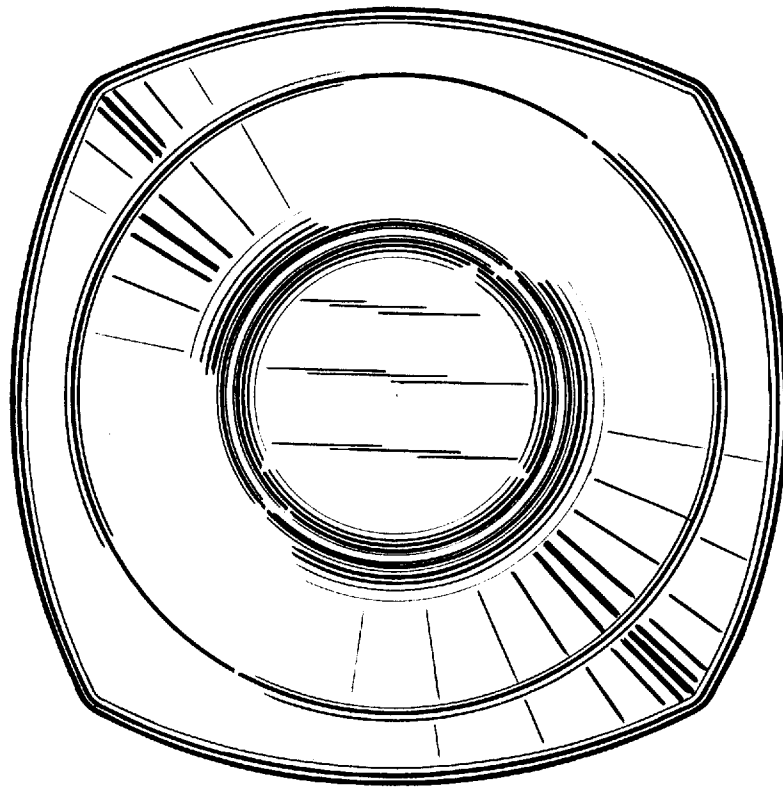


FIG. 10