



US00D578947S

(12) **United States Design Patent**
Arora

(10) **Patent No.:** **US D578,947 S**

(45) **Date of Patent:** **** Oct. 21, 2008**

(54) **WHEEL**

(76) **Inventor:** **Manoj Arora**, Suite 1709-1710A, Wing
Tuck Commercial Centre, 177-183 Wing
Lok Street, Sheung Wan (HK)

(**) **Term:** **14 Years**

(21) **Appl. No.:** **29/306,811**

(22) **Filed:** **Apr. 16, 2008**

(51) **LOC (8) Cl.** **12-16**

(52) **U.S. Cl.** **D12/209**

(58) **Field of Classification Search** D12/204-213;
301/37.101, 64.101, 65, 64.201

See application file for complete search history.

(56) **References Cited**

U.S. PATENT DOCUMENTS

| | | | | |
|--------------|--------|------------|-------|---------|
| D390,180 S * | 2/1998 | Dehner | | D12/209 |
| D421,591 S * | 3/2000 | Chrysanto | | D12/209 |
| D430,841 S * | 9/2000 | Tanghetti | | D12/209 |
| D436,339 S * | 1/2001 | Fitzgerald | | D12/209 |
| D455,991 S * | 4/2002 | Kaucher | | D12/209 |

| | | | | |
|--------------|---------|-----------------|-------|---------|
| D460,941 S * | 7/2002 | Muzzarelli | | D12/211 |
| D490,355 S * | 5/2004 | Francis | | D12/209 |
| D492,635 S * | 7/2004 | Mathis et al. | | D12/209 |
| D497,134 S * | 10/2004 | Anderson et al. | | D12/209 |
| D497,139 S * | 10/2004 | Anderson et al. | | D12/209 |
| D563,858 S * | 3/2008 | Aydin | | D12/209 |

* cited by examiner

Primary Examiner—Stacia Cadmus

(74) *Attorney, Agent, or Firm*—Loza & Loza, LLP; Christina Loza

(57) **CLAIM**

The ornamental design for a wheel, as shown and described.

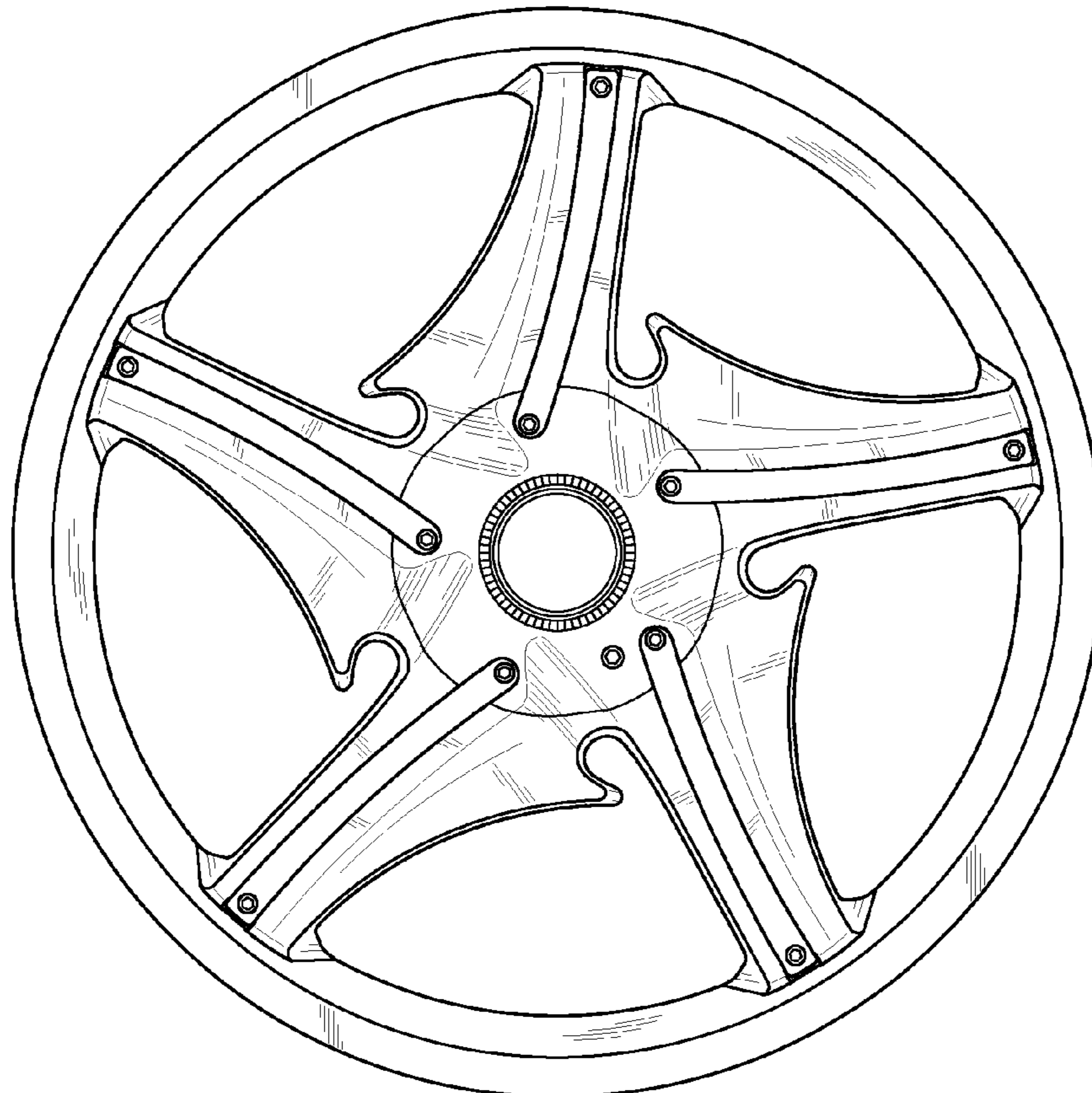
DESCRIPTION

FIG. 1 is a perspective view of a wheel, showing my new design; and,

FIG. 2 is a front plan view thereof.

The broken line showing of environment is for illustrative purposes only and forms no part of the claimed design.

1 Claim, 2 Drawing Sheets



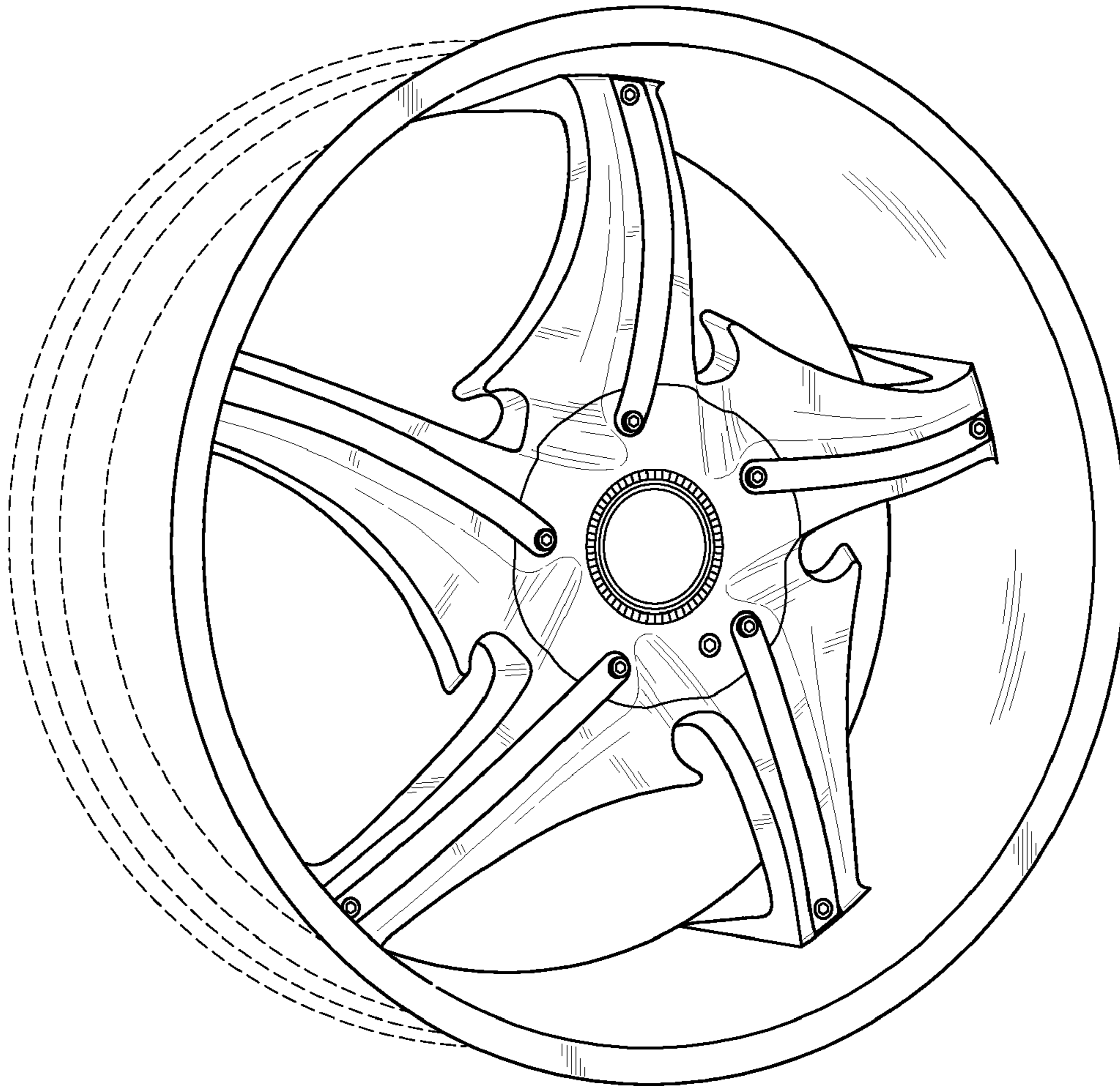


FIG. 1

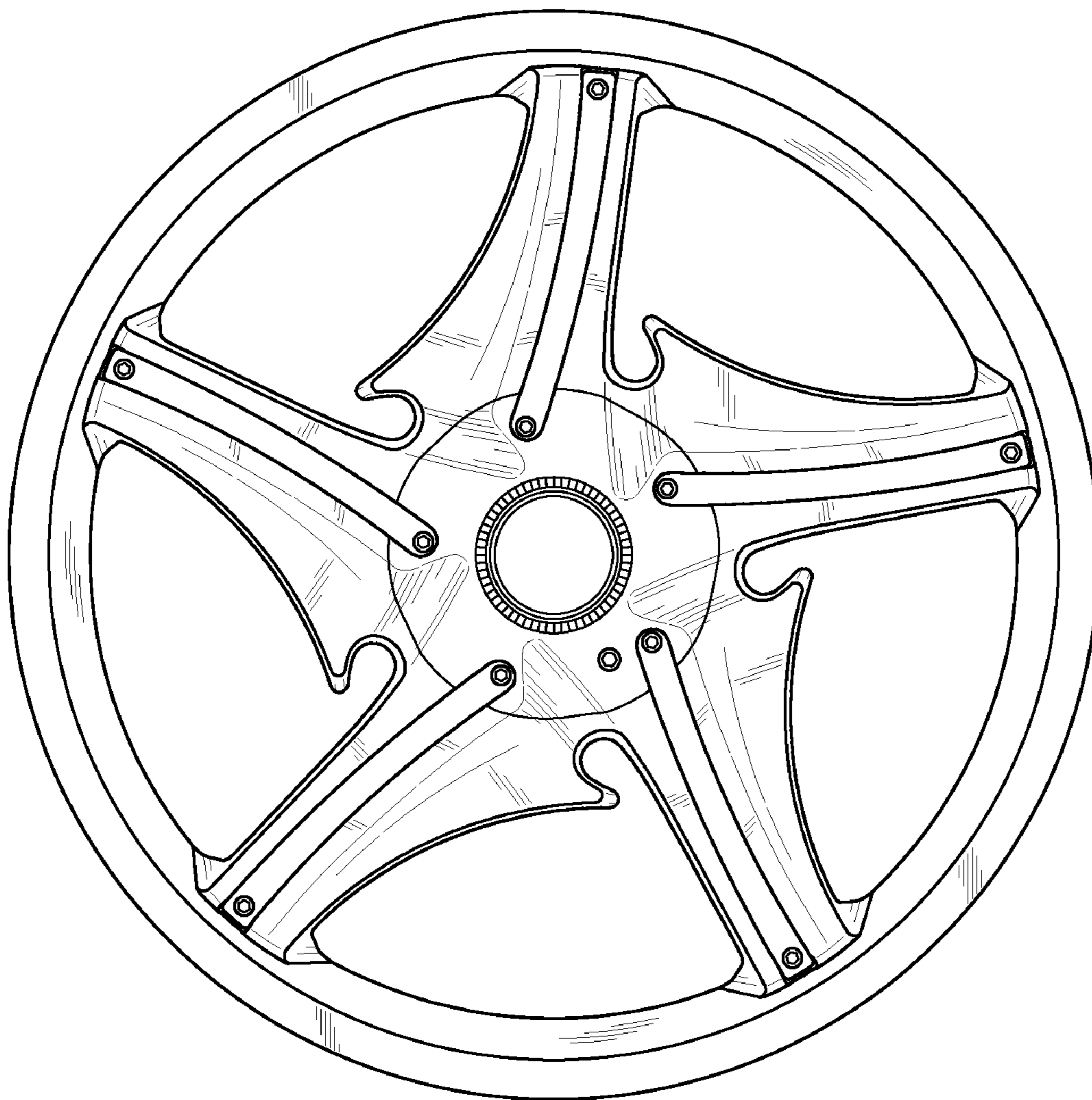


FIG. 2