



US00D597832S

(12) **United States Design Patent**
Bischoff et al.

(10) **Patent No.:** **US D597,832 S**

(45) **Date of Patent:** **** Aug. 11, 2009**

(54) **CONTAINER**

(75) Inventors: **Corey Michael Bischoff**, Cincinnati, OH (US); **Julie Jane Baker**, Hamilton, OH (US); **Daniel Adam Streng**, Elmwood Park, IL (US); **Timothy Ryan Read**, Chicago, IL (US); **Parker David Selbert**, Chicago, IL (US); **Christopher Richard Streng**, Chicago, IL (US); **James Louis Capo**, Middletown, OH (US)

1,983,010 A * 12/1934 Spees 229/117.15
2,290,359 A * 7/1942 Ringler 206/362.4
2,375,631 A * 5/1945 De Villard 206/194
2,913,161 A * 11/1959 Travis 229/115
D190,973 S * 7/1961 Craddock D9/420

(Continued)

FOREIGN PATENT DOCUMENTS

EP 1103472 A2 * 5/2001

(73) Assignee: **The Procter & Gamble Company**, Cincinnati, OH (US)

OTHER PUBLICATIONS

(**) Term: **14 Years**

[http://networkerpromos.logomall.com/ProductSearch/QSResults.aspx?DPSV_Id=204842&pSRVC_Id=65&Nt=match&Ntk=WordSearchAsiLinename&Ntx=mode+matchallpartial&N=0&No=\) &BWS=011&Ne=50](http://networkerpromos.logomall.com/ProductSearch/QSResults.aspx?DPSV_Id=204842&pSRVC_Id=65&Nt=match&Ntk=WordSearchAsiLinename&Ntx=mode+matchallpartial&N=0&No=) &BWS=011&Ne=50), 2 pages of unspecified items.

(21) Appl. No.: **29/291,462**

(Continued)

(22) Filed: **Nov. 13, 2007**

Primary Examiner—T. Chase Nelson

(51) **LOC (9) Cl.** **09-03**

Assistant Examiner—Karen Acker

(52) **U.S. Cl.** **D9/431**

(74) *Attorney, Agent, or Firm*—Julia A. Glazer; Kim W. Zerby; Steven W. Miller

(58) **Field of Classification Search** D9/430–433, D9/414, 418, 420–423, 435, 560, 561, 711; D3/201, 272, 273, 305; 206/278, 297, 299, 206/320, 339, 433, 769, 770, 775, 776, 781, 206/782, 822, 155; 229/100, 103.3, 104–106, 229/107, 108, 108.1, 110, 111, 112, 115, 229/117.16, 120, 125.015, 120.32, 133.24, 229/122.29, 124, 160.1, 162.1, 162.6, 163, 229/182.1, 201, 406, 407, 902, 904, 906, 229/922, 930, 939, 942

See application file for complete search history.

(57) **CLAIM**

The ornamental design for a container, as shown and described.

(56) **References Cited**

DESCRIPTION

U.S. PATENT DOCUMENTS

1,448,866 A * 3/1923 Redoute 294/159
1,542,420 A * 6/1925 Stone 206/299
1,669,139 A * 5/1928 Martin 229/125.37
1,670,694 A * 5/1928 Storhow 229/115
1,729,213 A * 9/1929 Ford 222/565
1,833,974 A * 12/1931 Powell et al. 229/115
1,981,647 A * 11/1934 Johnson 206/766

FIG. 1 is a perspective view of a container, showing our new ornamental design.

FIG. 2 is a front view of the container of FIG. 1.

FIG. 3 is a back view of the container of FIG. 1.

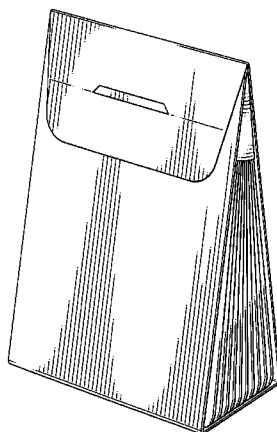
FIG. 4 is a right side view of the container of FIG. 1.

FIG. 5 is a left side view of the container of FIG. 1.

FIG. 6 is a top view of the container of FIG. 1; and,

FIG. 7 is a bottom view of the container of FIG. 1.

1 Claim, 6 Drawing Sheets



U.S. PATENT DOCUMENTS

3,034,695	A *	5/1962	Berghgracht	229/115
3,079,062	A *	2/1963	Craddock	229/116
3,250,454	A *	5/1966	Steiger	229/115
3,322,383	A *	5/1967	Weinberg	248/174
3,403,839	A *	10/1968	Farquhar	229/112
3,542,191	A	11/1970	Scott	
3,653,576	A *	4/1972	Stranicky	229/115
3,955,749	A *	5/1976	Turkenkopf	383/122
3,972,416	A	8/1976	Underwood	
4,018,330	A	4/1977	Jorwa	
4,154,337	A	5/1979	Tybie	
4,184,595	A *	1/1980	Wackerman	206/423
4,243,171	A *	1/1981	Prin	229/117.16
4,606,553	A	8/1986	Nickerson	
4,678,882	A *	7/1987	Bohrer et al.	219/730
4,734,288	A *	3/1988	Engstrom et al.	426/107
D303,760	S *	10/1989	Brainard	D9/697
5,083,700	A *	1/1992	Mello et al.	229/115
5,154,284	A	10/1992	Starkey	
5,295,630	A *	3/1994	Parish	229/138
5,312,035	A *	5/1994	Nold et al.	229/104
5,437,406	A *	8/1995	Gordon et al.	229/193
5,509,808	A	4/1996	Bell	
D375,898	S *	11/1996	Bolton	D9/415
5,743,389	A *	4/1998	Cutler et al.	206/216
D402,544	S *	12/1998	Jones	D9/705
6,042,113	A	3/2000	Walker	
6,110,512	A *	8/2000	Teasdale et al.	426/121
6,116,499	A	9/2000	Todjar-Hengami	

6,213,387	B1 *	4/2001	Zinke	229/116.1
6,336,584	B1 *	1/2002	Roch et al.	229/101.2
D455,959	S *	4/2002	Arp	D9/433
6,478,216	B2 *	11/2002	Wiar	229/101
D538,157	S	3/2007	Boyner	
D559,098	S *	1/2008	Wilbur	D9/417
D567,078	S *	4/2008	Katsuyama	D9/431
2002/0185859	A1	12/2002	Reger et al.	
2008/0265009	A1 *	10/2008	Katoh	229/117.16

OTHER PUBLICATIONS

“The Packaging Designer’s Book of Patterns” copyright 1991 by Roth and Wybenga, published by Van Nostrand Reinhold, Cover, Pre-face, Forward, pp. 288, 289, 290 and 393, 4 designs represented. Photographs of the front, back, side, and top views of a container for olives publicly available in the U.S. more than 1 year prior to the filing date of U.S. Appl. No. 29/291,462, 4 page 1 view per page.
 Photographs of the front, perspective, back, side, and top views of a container for risotto publicly available in the U.S. more than 1 year prior to the filing date of U.S. Appl. No. 29/291,462, 5 pages 1 view per page.
 Photographs of the front, perspective, back, side view with croutons, side view without croutons, and top views of a container for croutons publicly available in the U.S. more than 1 year prior of the filing date of U.S. Appl. No. 29/291,462, 4 pages 1 view each.
 Photographs of the front, back, side, top views of a container publicly available in the U.S. more than 1 year prior to the filing date of U.S. Appl. No. 29/291,462, 6 pages 1 view each also appears to include a side showing a sleeve.

* cited by examiner

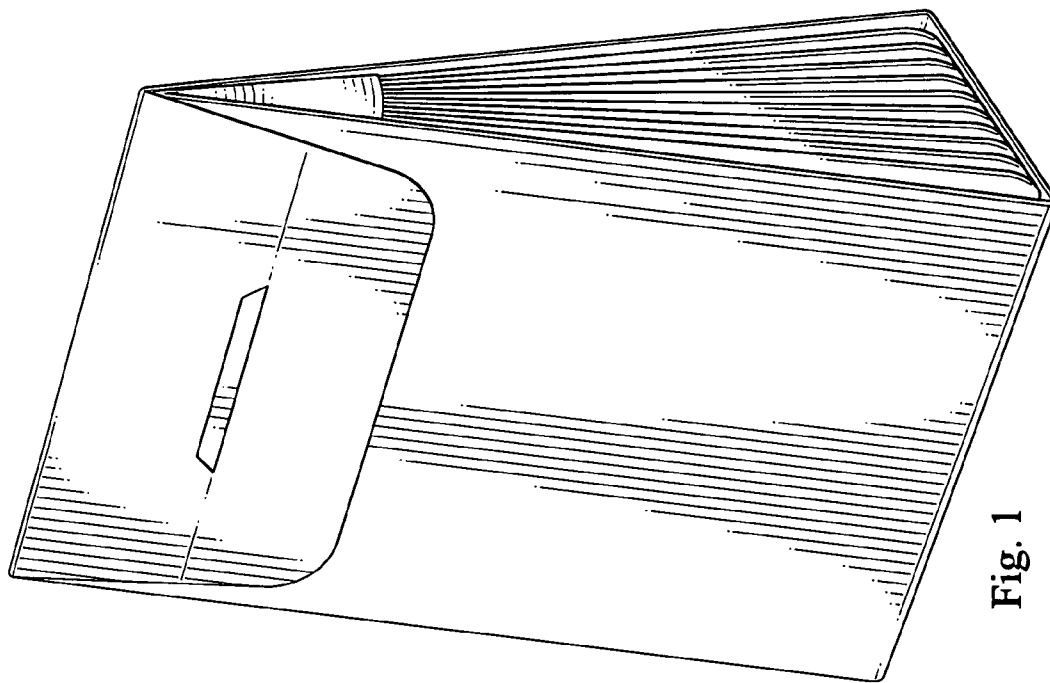


Fig. 1

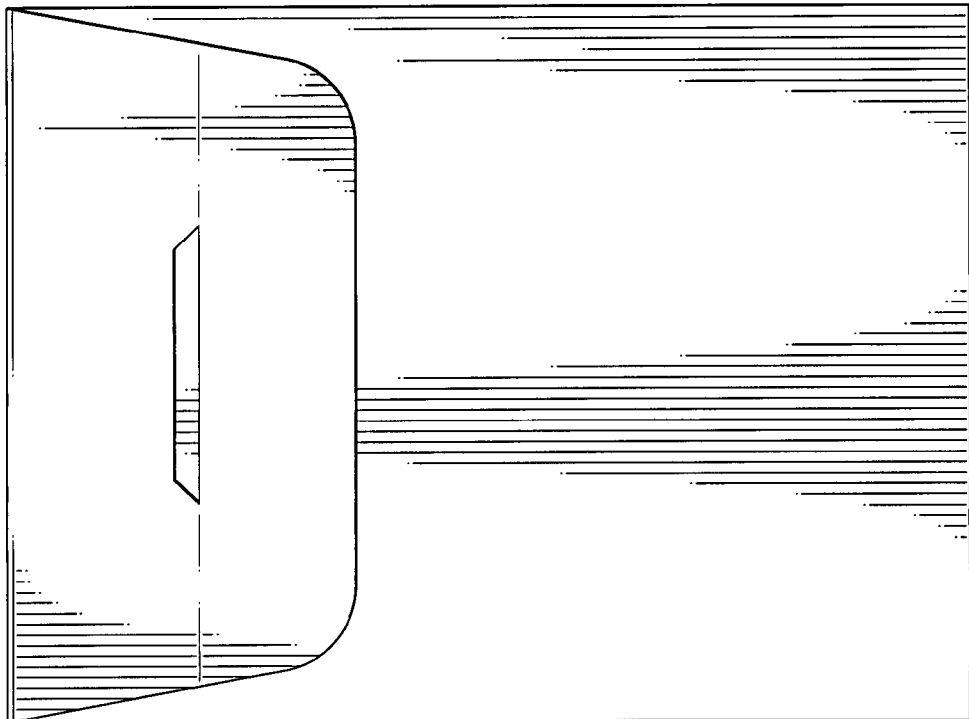


Fig. 2

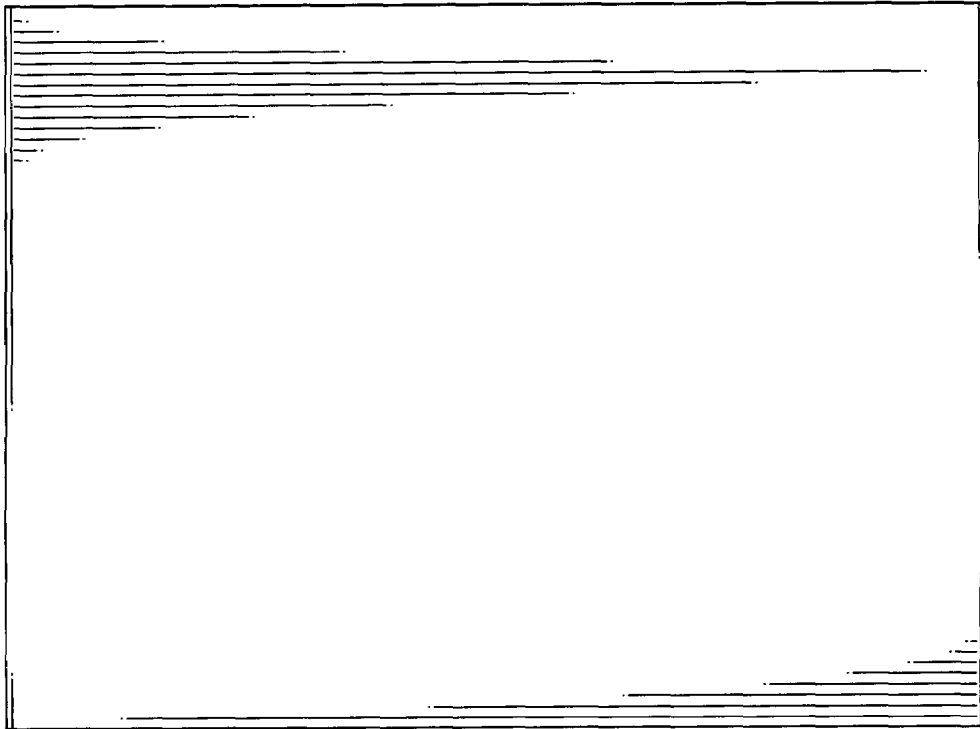


Fig. 3

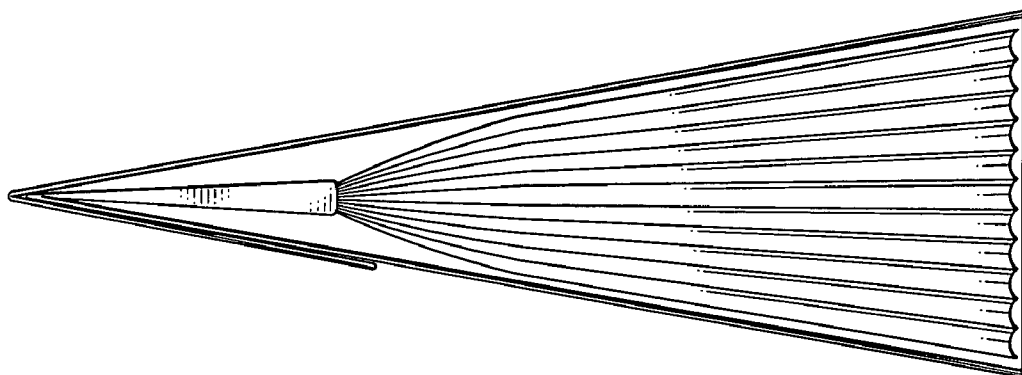


Fig. 4

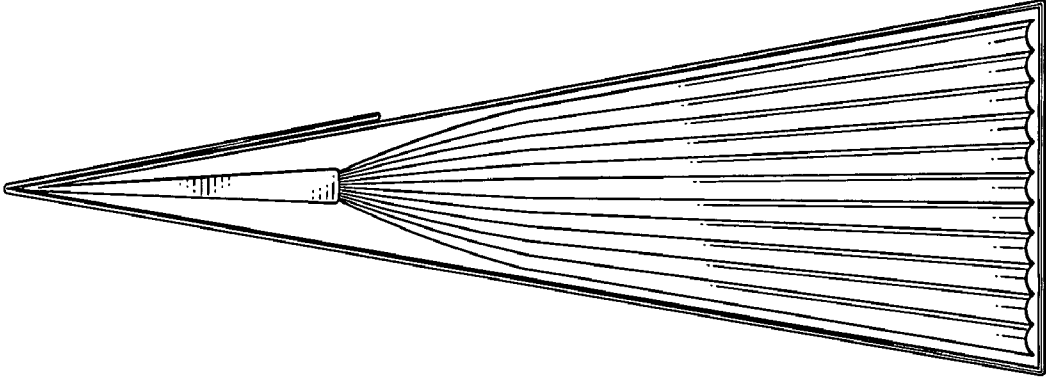


Fig. 5

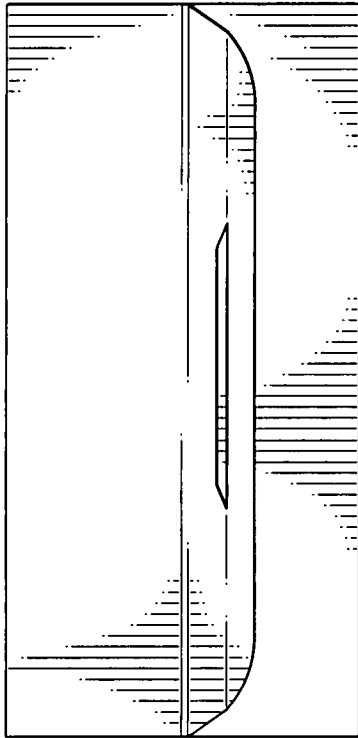


Fig. 6

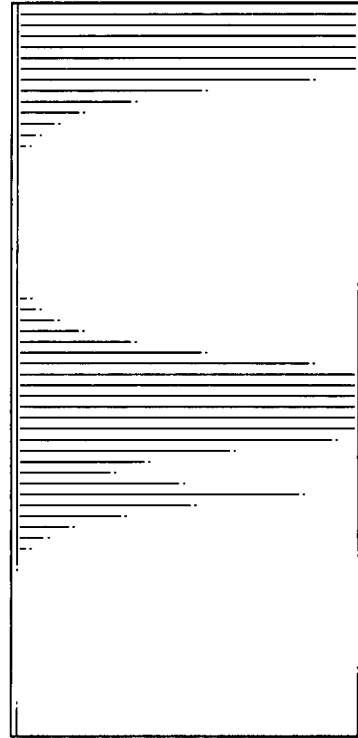


Fig. 7