



US0D1024801S

(12) **United States Design Patent**  
**Wu**

(10) **Patent No.:** **US D1,024,801 S**

(45) **Date of Patent:** **\*\* Apr. 30, 2024**

(54) **WRIST WATCH**

(71) Applicant: **Shenzhen Amazwear Technology CO., LTD.**, Shenzhen (CN)

(72) Inventor: **Xianghua Wu**, Wuhan (CN)

(73) Assignee: **Shenzhen Amazwear Technology CO., LTD.**, Shenzhen (CN)

(\*\*) Term: **15 Years**

(21) Appl. No.: **29/926,608**

(22) Filed: **Jan. 31, 2024**

(51) **LOC (14) Cl.** ..... **10-02**

(52) **U.S. Cl.**  
USPC ..... **D10/32**

(58) **Field of Classification Search**  
USPC ..... **D10/32**

CPC ..... A44C 5/14; A44C 5/24; A44C 5/0053; A44C 5/145; A44C 5/22; A44C 5/16; A44C 5/00; A44C 5/246; A44C 5/142; A44C 5/2042; A44C 5/2071; A44C 5/12; A44C 5/185; A44C 19/00; A44C 5/08; A44C 5/02; A44C 5/107; A44C 5/147; A44C 5/2076; A44C 5/0092; A44C 5/0069; A44C 5/0076; A44C 5/06; A44C 5/04; A44C 5/2052; A44C 11/002; A44C 27/001; A44C 5/10; A44C 15/0015; A44C 17/02; A44C 23/00; A44C 27/008; A44C 5/0023; A44C 5/003; A44C 5/0061; A44C 5/025; A44C 5/027; A44C 5/102; A44C 5/105; A44C 5/20; G04B 37/1486; G04B 37/005; G04B 37/493; G04B 37/12; G04B 47/00; G04B 37/0008; G04B 25/04; G04B 37/14; G04B 37/1433; G04B 19/30; G04B 47/046; G04B 23/12; G04B 37/0058; G04B 37/22; G04B 37/127; G04B 37/084; G04B 37/11; G04B 37/225; G04B 39/02; G04B 47/065; G04B 33/10; G04B 37/0016; G04B 43/00; G04B 45/0092; G04B 47/06; G04B 13/02; G04B 19/14; G04B

19/207; G04B 29/00; G04B 3/006; G04B 37/0083; G04B 37/05; G04B 37/082; G04B 37/086; G04B 39/008; G04B 5/005; G04B 5/14; G04B 19/25; G04B 27/08; G04B 37/00; G04B 37/0472; G04B 37/052; G04B 39/00; G04B 47/04; G04B 5/04; G04B 17/063; G04B 17/222; G04B 17/227; G04B 18/006; G04B 18/02; G04B 19/02; G04B 19/06; G04B 19/12; G04B 19/20; G04B 19/202; G04B 19/28; G04B 19/283; G04B 27/045; G04B 3/045; G04B 33/00; G04B 33/06; G04B 33/08; G04B 37/02; G04B 37/04; G04B 37/0427; G04B

(Continued)

(56) **References Cited**

U.S. PATENT DOCUMENTS

D738,372 S \* 9/2015 Song ..... D14/344  
D861,504 S 10/2019 Nashimoto

(Continued)

*Primary Examiner* — George D. Kirschbaum

(74) *Attorney, Agent, or Firm* — Georgi Korobanov

(57) **CLAIM**

The ornamental design for a wrist watch, as shown and described.

**DESCRIPTION**

FIG. 1 is a front, right and top perspective view of a wrist watch, showing my new design;  
FIG. 2 is a rear, left and bottom perspective view thereof;  
FIG. 3 is a front view thereof;  
FIG. 4 is a rear view thereof;  
FIG. 5 is a left side view thereof;  
FIG. 6 is a right side view thereof;  
FIG. 7 is a top plan view thereof; and,  
FIG. 8 is a bottom plan view thereof.

(Continued)



The broken lines shown in the drawings illustrate portions of the wrist watch that form no part of the claimed design.

**1 Claim, 8 Drawing Sheets**

(58) **Field of Classification Search**

CPC ..... 37/0436; G04B 37/055; G04B 37/062;  
 G04B 37/08; G04B 37/081; G04B 37/10;  
 G04B 37/103; G04B 37/116; G04B  
 37/125; G04B 37/1413; G04B 37/148;  
 G04B 39/002; G04B 39/006; G04B  
 45/0069; G04B 45/046; G04B 47/005;  
 G04B 47/006; G04B 47/042; G04B 5/00;  
 G04B 5/02; G04B 5/06; G04B 5/181;  
 G04B 5/24; G04B 7/00; G04B 13/008;  
 G04B 15/12; G04B 15/14; G04B 19/00;  
 G04B 19/046; G04B 19/08; G04B  
 19/082; G04B 19/241; G04B 19/247;  
 G04B 19/25386; G04B 19/26; G04B  
 23/021; G04B 27/00; G04B 27/04; G04B  
 29/02; G04B 37/0033; G04B 37/057;  
 G04B 37/06; G04B 37/087; G04B  
 37/106; G04B 37/1426; G04B 37/16;  
 G04B 39/025; G04B 43/005; G04B  
 45/00; G04B 45/0084; G04B 45/02;  
 G04B 47/008; G04B 47/02; G04B  
 47/061; G04B 47/068; G04G 21/04;  
 G04G 21/00; G04G 9/0064; G04G  
 13/021; G04G 17/08; G04G 21/02; G04G  
 21/025; G04G 9/0035; G04G 9/0082;  
 G04G 17/06; G04G 19/00; G04G 19/02;

G04G 9/12; G04G 13/02; G04G 5/045;  
 G04G 9/0041; G04G 9/007; G04G 9/087;  
 G04G 11/00; G04G 13/026; G04G 17/00;  
 G04G 17/02; G04G 17/045; G04G 19/12;  
 G04G 21/06; G04G 5/02; G04G 5/04;  
 G04G 9/00; G04G 9/0005; G04G 9/0047;  
 G04G 9/02; G04G 9/08; G04G 13/00;  
 G04G 21/08; G04G 3/02; G04G 3/04;  
 G04G 9/0094; G04G 9/06; G04G 9/107;  
 G04G 9/122; G04G 9/126; G04G 10/00;  
 G04G 3/008; G04G 3/06; G04G 3/14;  
 G04G 3/005; G04G 3/002; G04G  
 17/0066; G04G 3/10; G04G 1/00; G04G  
 17/005; G04G 17/0058; G04G 21/14;  
 G04G 21/34; G04G 3/00; G04G 3/001;  
 G04G 3/042; G04G 10/02; G04G 10/04;  
 G04G 11/084; G04G 21/185; G04G  
 3/066; G04G 3/069; G04G 3/102; G04G  
 3/107; G04G 3/143

See application file for complete search history.

(56)

**References Cited**

U.S. PATENT DOCUMENTS

D934,238	S	10/2021	Louie	
D939,971	S *	1/2022	Johansen	D10/32
D947,183	S *	3/2022	Wu	D14/344
D949,711	S *	4/2022	Huang	D10/32
D955,912	S *	6/2022	Ma	D10/32
D959,993	S *	8/2022	Qin	D10/32
D982,460	S *	4/2023	Huang	D10/32

\* cited by examiner

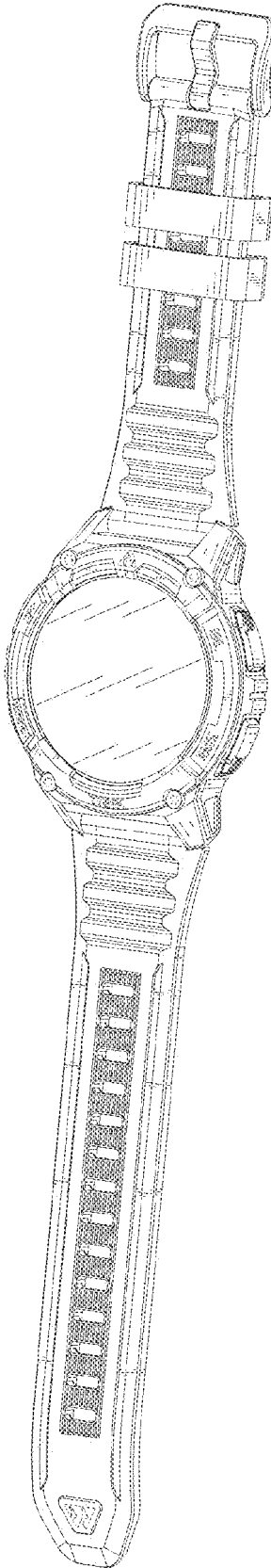


FIG. 1

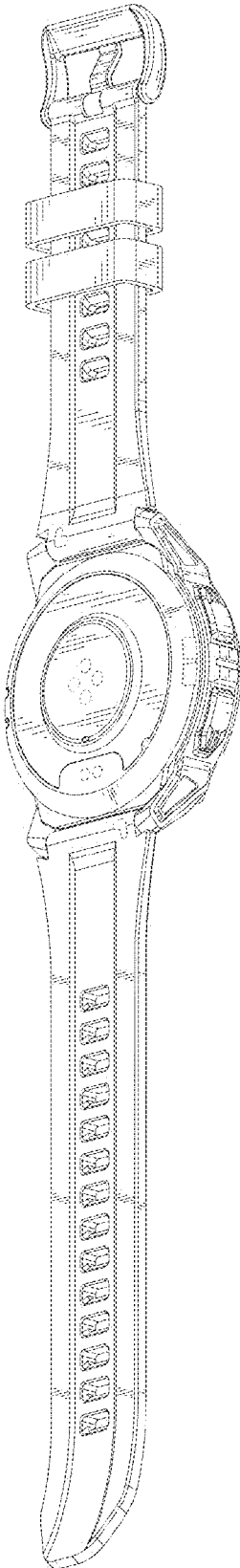


FIG. 2

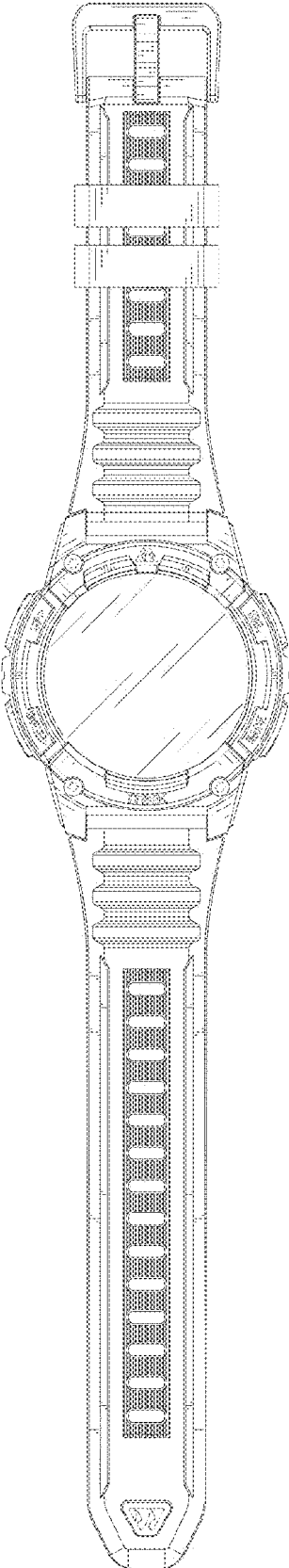


FIG. 3

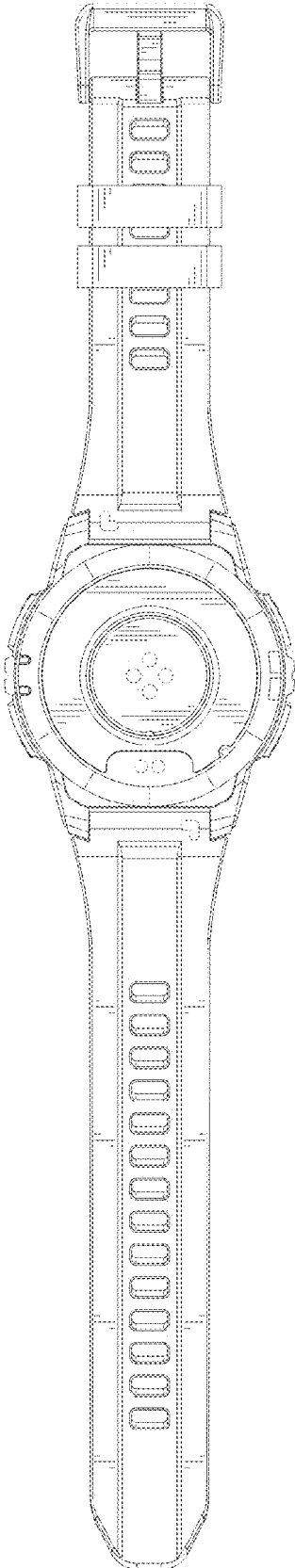


FIG. 4

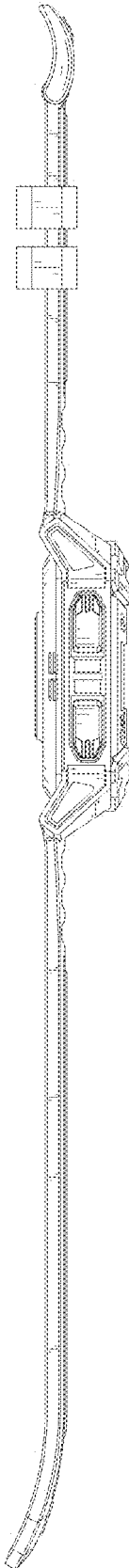


FIG. 5

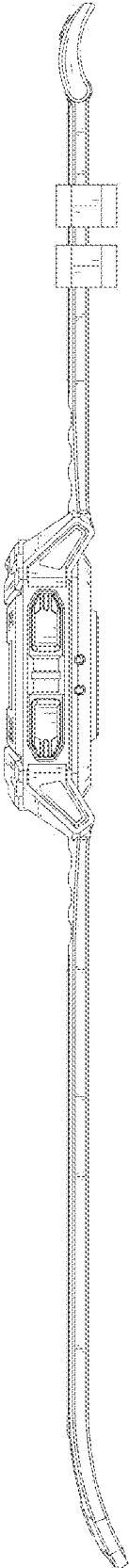


FIG. 6



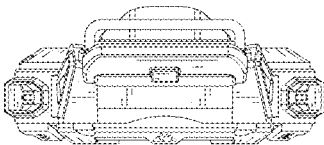


FIG. 7

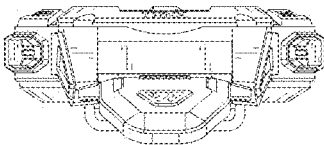


FIG. 8