



US00D945069S

(12) **United States Design Patent**
Shin

(10) **Patent No.:** **US D945,069 S**
(45) **Date of Patent:** **** Mar. 1, 2022**

- (54) **RAZOR**
- (71) Applicant: **DORCO CO., LTD.**, Seoul (KR)
- (72) Inventor: **Seung Mi Shin**, Seoul (KR)
- (73) Assignee: **DORCO CO., LTD.**, Seoul (KR)
- (**) Term: **15 Years**
- (21) Appl. No.: **29/728,465**
- (22) Filed: **Mar. 18, 2020**

(30) **Foreign Application Priority Data**

Sep. 18, 2019 (KR) 30-2019-0044737

(51) **LOC (13) Cl.** **28-03**

(52) **U.S. Cl.**
USPC **D28/48**

(58) **Field of Classification Search**

USPC D28/46-48
CPC ... B26B 21/00; B26B 21/08; B26B 21/14-18;
B26B 21/185-227; B26B 21/40; B26B
21/4062-4075; B26B 21/44-48; B26B
21/30-32; B26B 21/50-528
See application file for complete search history.

(56) **References Cited**

U.S. PATENT DOCUMENTS

D616,607 S * 5/2010 Ramm D28/48
D745,215 S * 12/2015 Go D28/48

D768,929 S *	10/2016	Go	D28/48
D789,609 S *	6/2017	Kong	D28/48
D822,901 S *	7/2018	Shin	D28/48
D824,102 S *	7/2018	Go	D28/48
D827,201 S *	8/2018	Go	D28/48
D878,678 S *	3/2020	Psimadas	D28/48
D879,375 S *	3/2020	Go	D28/48
D886,382 S *	6/2020	Dubin	D28/48
D899,689 S *	10/2020	Kong	D28/48
2010/0313425 A1 *	12/2010	Hawes	A45D 26/00 30/44
2013/0291390 A1 *	11/2013	Gajria	B26B 21/52 30/526
2018/0370052 A1 *	12/2018	Zaremba	B26B 21/521

* cited by examiner

Primary Examiner — Jennifer Rivard

(74) *Attorney, Agent, or Firm* — NSIP Law

(57) **CLAIM**

The ornamental design for a razor, as shown and described.

DESCRIPTION

FIG. 1 is a perspective view of a razor showing the new design;
FIG. 2 is a front view thereof;
FIG. 3 is a rear view thereof;
FIG. 4 is a left-side view thereof; a right-side view is mirror image with the left side view thereof;
FIG. 5 is a top view thereof; and,
FIG. 6 is a bottom view thereof.
The broken lines illustrate portions of the razor that form no part of the claimed design.

1 Claim, 6 Drawing Sheets

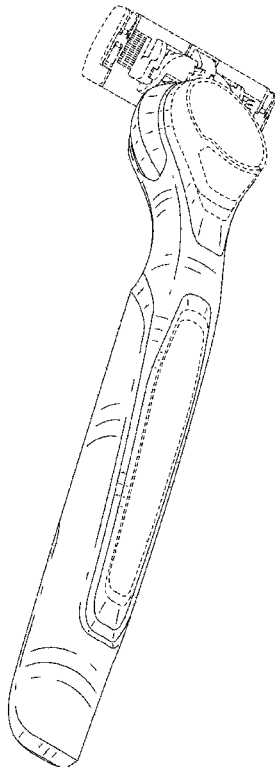


FIG. 1

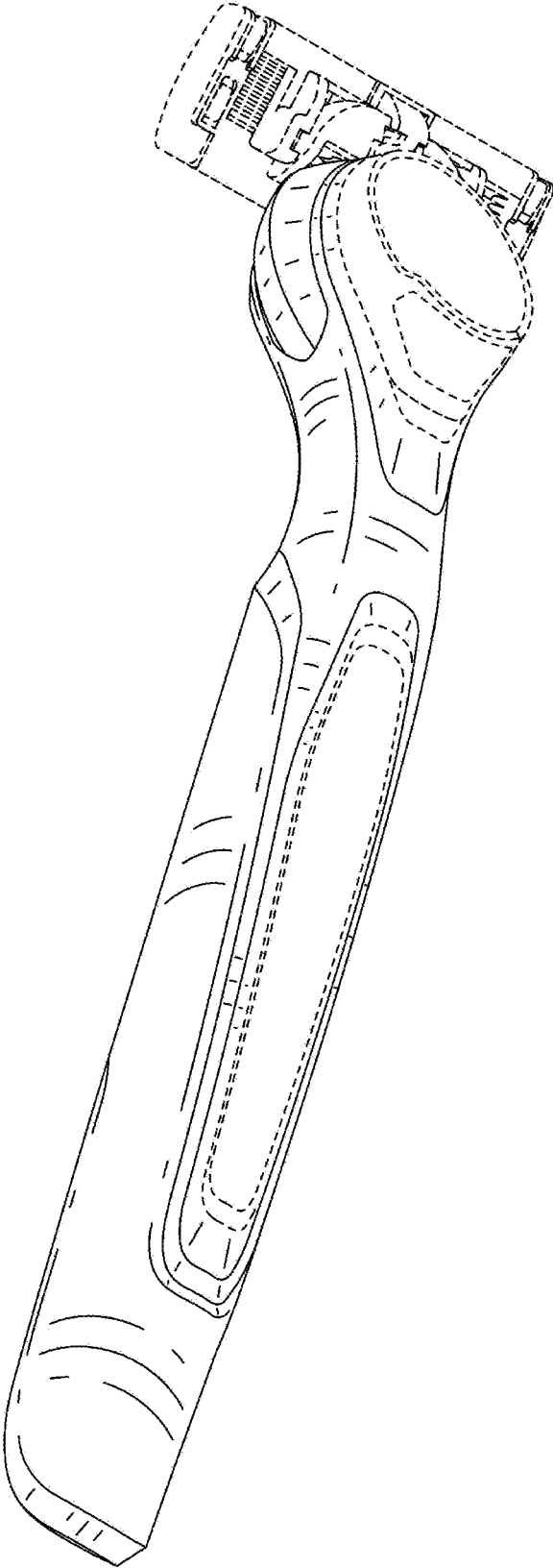


FIG. 2

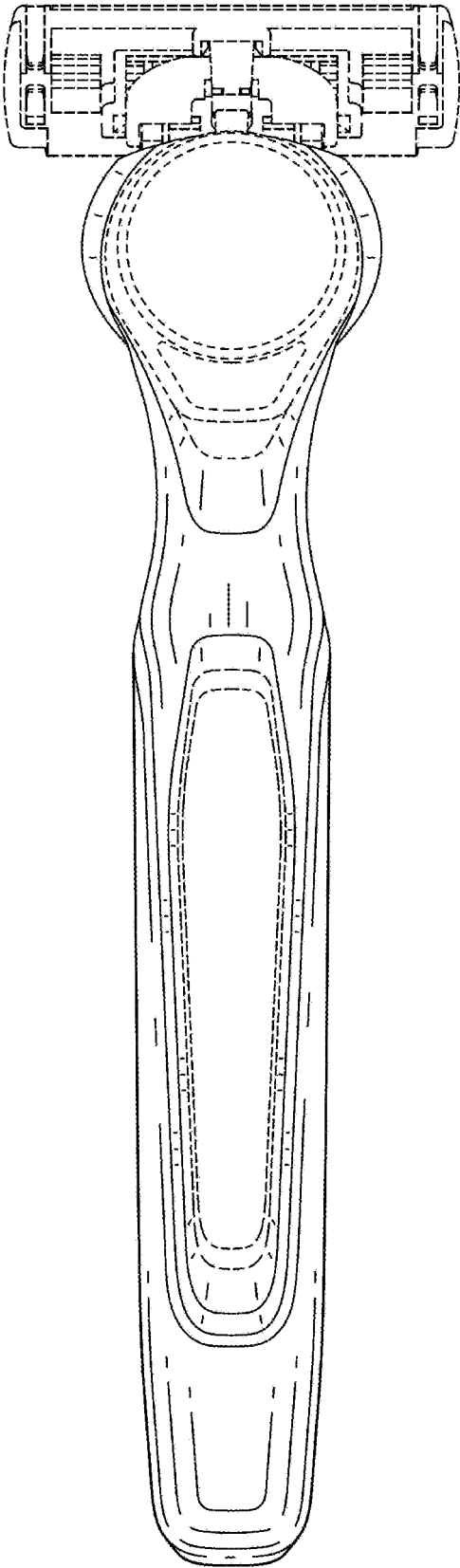


FIG. 3

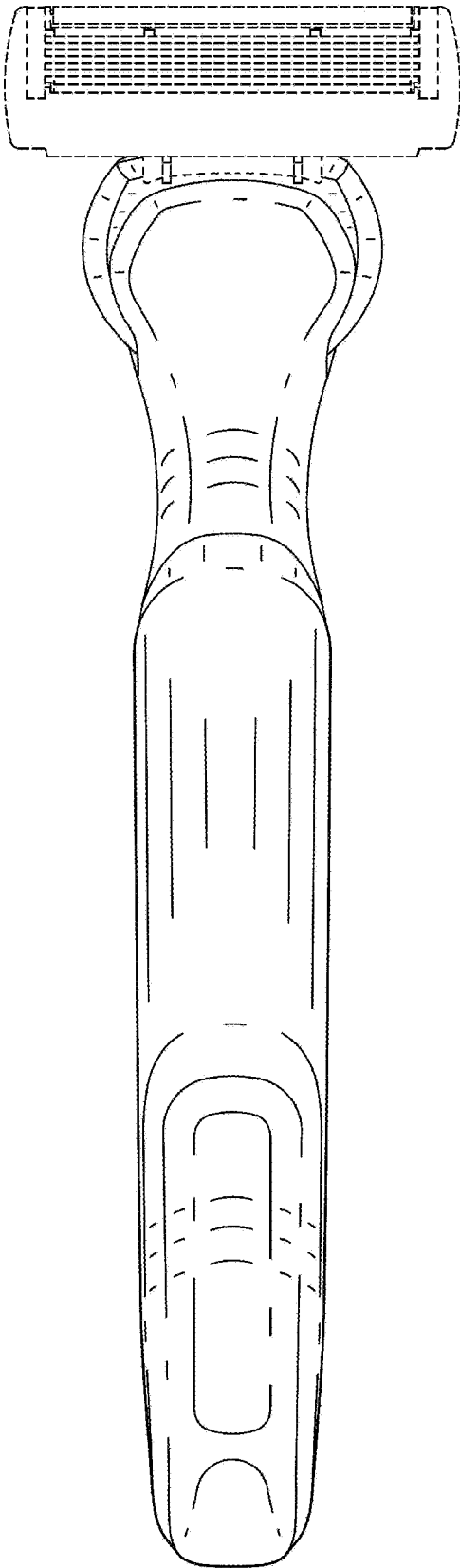


FIG. 4

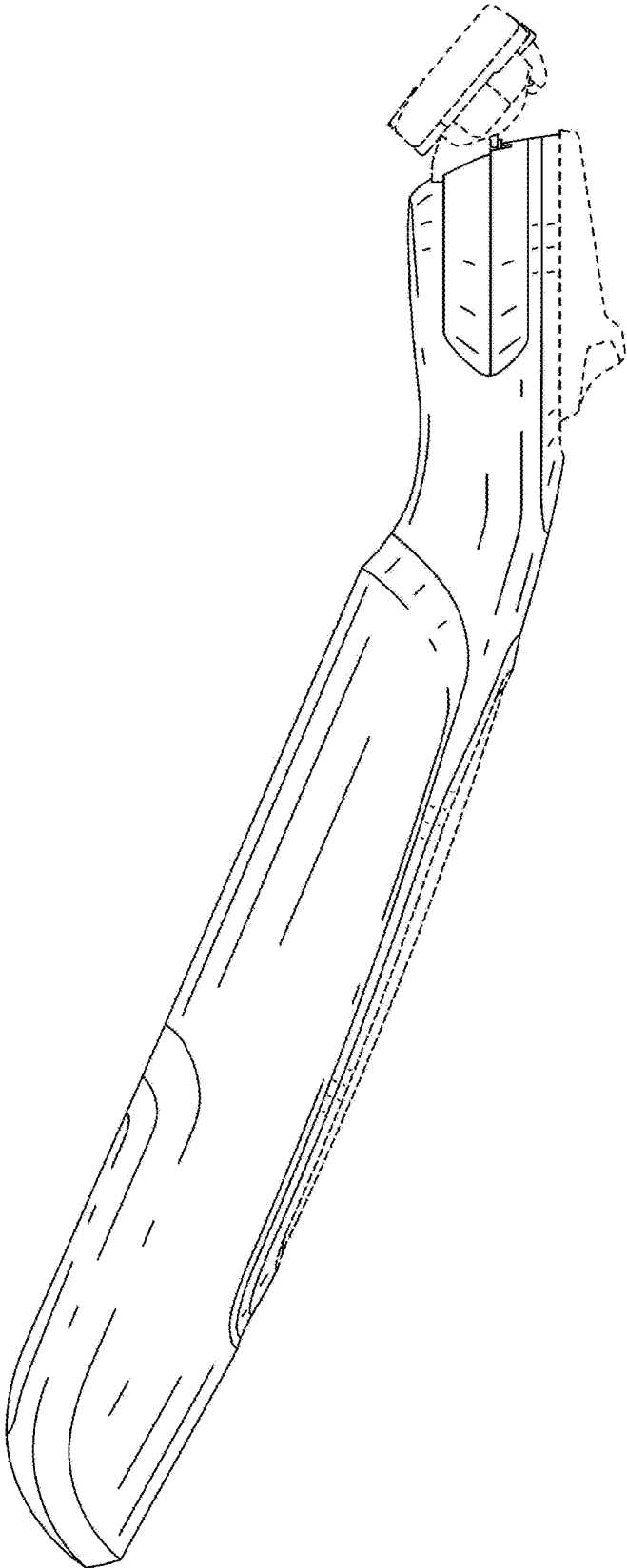


FIG. 5

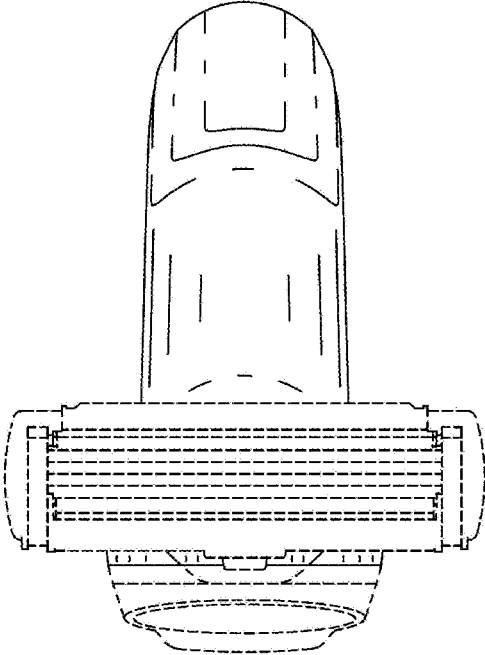


FIG. 6

