



US00D796731S

(12) **United States Design Patent**  
**Sonneman**

(10) **Patent No.:** **US D796,731 S**

(45) **Date of Patent:** **\*\* Sep. 5, 2017**

(54) **PENDANTS FOR LIGHT FIXTURES**

(71) Applicant: **Robert A. Sonneman**, Mamaroneck, NY (US)

(72) Inventor: **Robert A. Sonneman**, Mamaroneck, NY (US)

(\*\*) Term: **15 Years**

(21) Appl. No.: **29/598,233**

(22) Filed: **Mar. 23, 2017**

|              |         |           |         |
|--------------|---------|-----------|---------|
| D567,988 S   | 4/2008  | Lissoni   |         |
| 7,354,171 B2 | 4/2008  | Pazula    |         |
| D576,339 S   | 9/2008  | Porter    |         |
| D588,297 S   | 3/2009  | Rubin     |         |
| D588,301 S   | 3/2009  | Sabernig  |         |
| D625,457 S   | 10/2010 | Sonneman  |         |
| D627,502 S * | 11/2010 | Zheng     | D26/72  |
| D630,365 S   | 1/2011  | Sabernig  |         |
| D656,664 S * | 3/2012  | Son       | D26/118 |
| D659,883 S   | 5/2012  | Herremans |         |
| D659,884 S   | 5/2012  | Sabernig  |         |
| D660,504 S   | 5/2012  | Martin    |         |
| D669,621 S   | 10/2012 | Sabernig  |         |
| D671,670 S   | 11/2012 | Sonneman  |         |
| D682,460 S * | 5/2013  | Wanders   | D26/130 |
| D687,986 S * | 8/2013  | Maxik     | D26/2   |

(Continued)

**Related U.S. Application Data**

(62) Division of application No. 29/551,563, filed on Jan. 14, 2016, now Pat. No. Des. 787,109.

(51) **LOC (10) Cl.** ..... **26-99**

(52) **U.S. Cl.**  
USPC ..... **D26/118; D26/128**

(58) **Field of Classification Search**  
USPC ..... D26/81-91, 118, 128, 113, 120, 122, D26/123, 130, 137, 72, 80  
CPC .... F21S 8/04; F21S 8/043; F21S 8/046; F21S 8/06; F21S 8/061; F21S 8/063; F21S 8/065  
See application file for complete search history.

**References Cited**

**U.S. PATENT DOCUMENTS**

|              |         |             |         |
|--------------|---------|-------------|---------|
| D89,305 S *  | 2/1933  | Hale        | D26/88  |
| D105,531 S * | 8/1937  | Korengold   | D26/128 |
| D317,058 S   | 5/1991  | Sonneman    |         |
| D320,465 S * | 10/1991 | Sonneman    | D26/86  |
| D392,764 S * | 3/1998  | Balish, Jr. | D26/105 |
| D418,938 S * | 1/2000  | McCartney   | D26/88  |
| D436,211 S * | 1/2001  | Neeld       | D26/85  |
| D481,489 S * | 10/2003 | Cline       | D26/128 |
| D488,880 S * | 4/2004  | Rahn        | D26/72  |
| D559,428 S * | 1/2008  | Kravitz     | D26/84  |

*Primary Examiner* — Brian N Vinson

(74) *Attorney, Agent, or Firm* — Gottlieb, Rackman & Reisman, P.C.

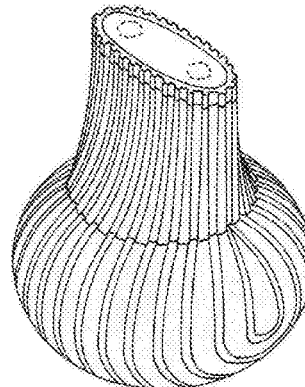
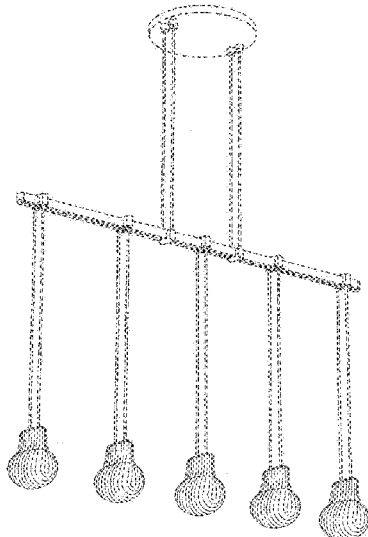
(57) **CLAIM**

The ornamental design for pendants for light fixtures, as shown and described.

**DESCRIPTION**

FIG. 1 is a perspective of a pendants for light fixtures showing my new design;  
 FIG. 2 is an enlarged perspective view of a single pendant thereof, the remaining pendants being omitted for clarity of illustration;  
 FIG. 3 is an enlarged top plan view of FIG. 2;  
 FIG. 4 is an enlarged front elevational view of FIG. 2, the rear elevational view being a mirror image;  
 FIG. 5 is an enlarged right side elevational view of FIG. 2, the left side elevational view being a mirror image; and,  
 FIG. 6 is a bottom plan view of FIG. 2.  
 The broken lines shown in the drawings are included for the purpose of illustrating portions of the article that form no part of the claimed design.

**1 Claim, 2 Drawing Sheets**



(56)

**References Cited**

U.S. PATENT DOCUMENTS

|              |         |                |         |
|--------------|---------|----------------|---------|
| D707,382 S * | 6/2014  | Ni .....       | D26/72  |
| D715,479 S * | 10/2014 | Johnston ..... | D26/113 |
| D715,986 S   | 10/2014 | Anastassiades  |         |
| D730,651 S   | 6/2015  | Perego         |         |
| D758,637 S   | 6/2016  | Herzog         |         |
| D770,667 S   | 11/2016 | Orozco         |         |
| D772,467 S   | 11/2016 | Sonneman       |         |
| D774,680 S   | 12/2016 | Vidmar         |         |
| D790,120 S * | 6/2017  | Sonneman ..... | D26/128 |
| D790,121 S * | 6/2017  | Sonneman ..... | D26/128 |

\* cited by examiner

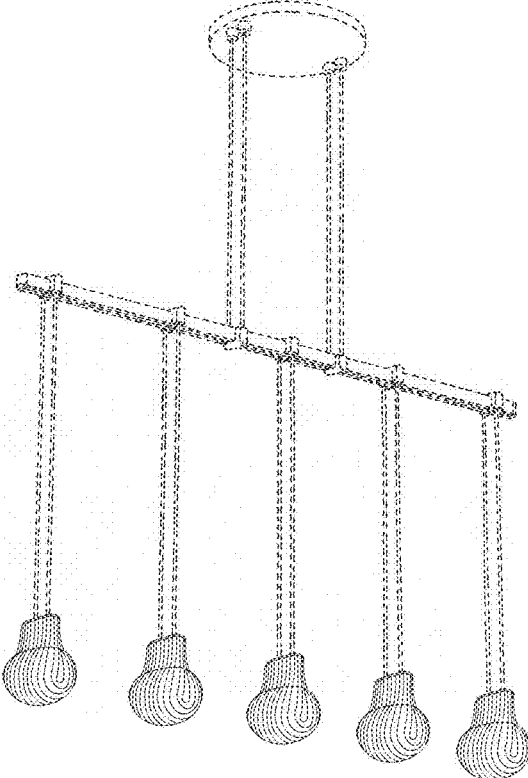


FIG. 1

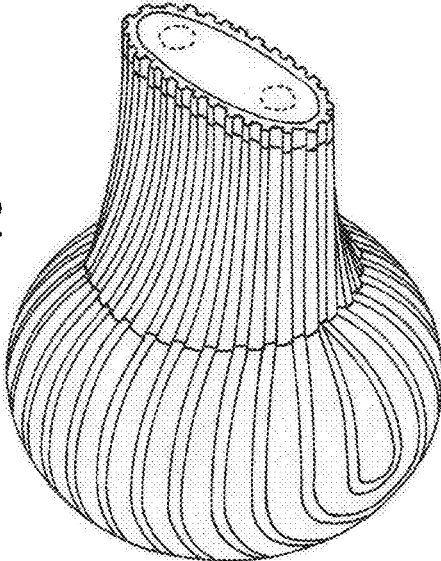


FIG. 2

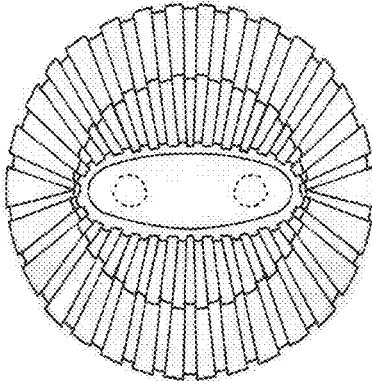


FIG. 3

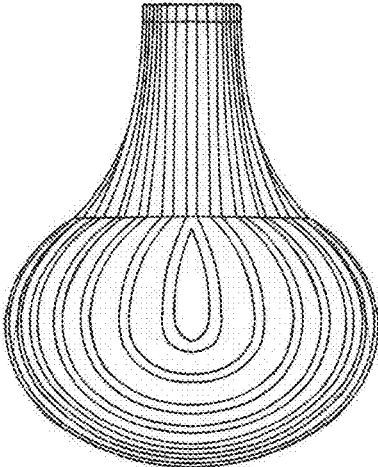


FIG. 5

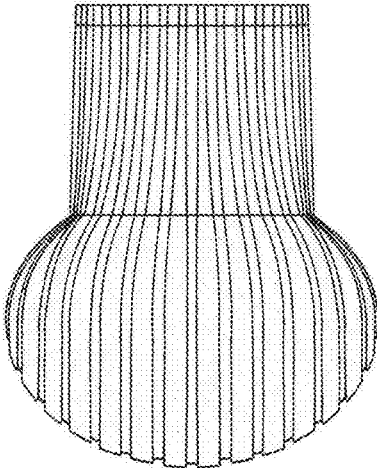


FIG. 4

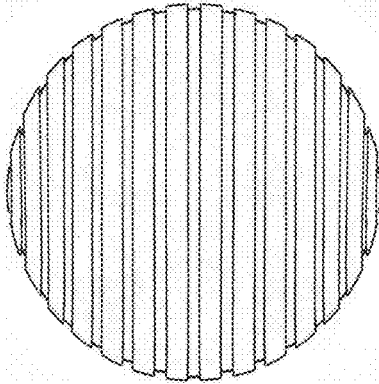


FIG. 6