



US0D1040636S

(12) **United States Design Patent**
Maager

(10) **Patent No.:** **US D1,040,636 S**

(45) **Date of Patent:** **** Sep. 3, 2024**

(54) **FURNITURE FITTING**

(71) Applicant: **Julius Blum GmbH**, Hoechst (AT)

(72) Inventor: **Frank Maager**, Sulzburg (DE)

(73) Assignee: **JULIUS BLUM GMBH**, Hoechst (AT)

(**) Term: **15 Years**

(21) Appl. No.: **29/813,576**

(22) Filed: **Oct. 29, 2021**

(30) **Foreign Application Priority Data**

Apr. 30, 2021 (EM) 8525042

(51) **LOC (14) Cl.** **08-06**

(52) **U.S. Cl.**
USPC **D8/325**

(58) **Field of Classification Search**

USPC D8/323-329; 16/72, 240-243, 246, 254,
16/255, 265, 266, 270, 306
CPC . E05Y 2900/20; E05Y 2201/626; E05D 3/02;
E05D 3/12; E05D 3/14; E05D 3/16;
E05D 3/142; E05D 5/06; E05D 5/0276;
E05D 7/00; E05D 7/04; E05D 7/06;
E05D 7/0009; E05D 7/0407; E05D
7/0045; E05D 7/0423; E05F 1/16; E05F
1/1058; E05F 1/1261; A47B 88/47; A47B
88/95; A47B 88/463; A47C 1/034; A47C
1/506

See application file for complete search history.

(56) **References Cited**

U.S. PATENT DOCUMENTS

D611,336 S * 3/2010 Hasegawa D8/402
D611,338 S * 3/2010 Suzuki D8/402
D633,366 S * 3/2011 Hasegawa D8/329
D716,129 S * 10/2014 Kashiwaguma D8/323
D716,130 S * 10/2014 Kashiwaguma D8/323

D721,953 S * 2/2015 Hasegawa D8/402
10,407,962 B2 * 9/2019 Schluge E05F 1/1058
10,494,846 B2 * 12/2019 Schmid E05F 1/1261
10,590,692 B2 * 3/2020 Bohle E05D 15/401
10,900,269 B2 * 1/2021 Holzapfel E05F 1/1075
10,968,672 B2 * 4/2021 Schmid E05F 1/14
D932,869 S * 10/2021 Holzapfel D8/323
2008/0121490 A1 * 5/2008 Dubach E05F 5/00
192/17 D
2009/0261696 A1 * 10/2009 Hollenstein A47B 77/00
312/327
2011/0197639 A1 * 8/2011 Hauer E05D 15/262
70/174
2016/0333620 A1 * 11/2016 Holzapfel E05F 1/1058
2019/0093404 A1 * 3/2019 Schmid E05F 1/1261
2019/0106918 A1 * 4/2019 Schmid E05D 15/40
2019/0316394 A1 * 10/2019 Kruedener E05D 7/123
2020/0063483 A1 * 2/2020 Holzapfel E05D 15/40
2021/0010311 A1 * 1/2021 Nordieker E05F 1/1058
2021/0087867 A1 * 3/2021 Folie E05F 5/006
2021/0115714 A1 * 4/2021 Duer E05D 5/0276
2021/0189780 A1 * 6/2021 Nordieker E05F 1/1058

* cited by examiner

Primary Examiner — Jennifer L Rempfer

Assistant Examiner — Rene H. Kadoo

(74) *Attorney, Agent, or Firm* — WENDEROTH, LIND
& PONACK, L.L.P.

(57) **CLAIM**

The ornamental design for a furniture fitting, as shown and described.

DESCRIPTION

FIG. 1 is a left-front perspective view of a furniture fitting;
FIG. 2 is a front view thereof;
FIG. 3 is a left side view thereof;
FIG. 4 is a rear view thereof;
FIG. 5 is a right side view thereof;
FIG. 6 is a bottom view thereof; and,
FIG. 7 is a top view thereof.

1 Claim, 7 Drawing Sheets

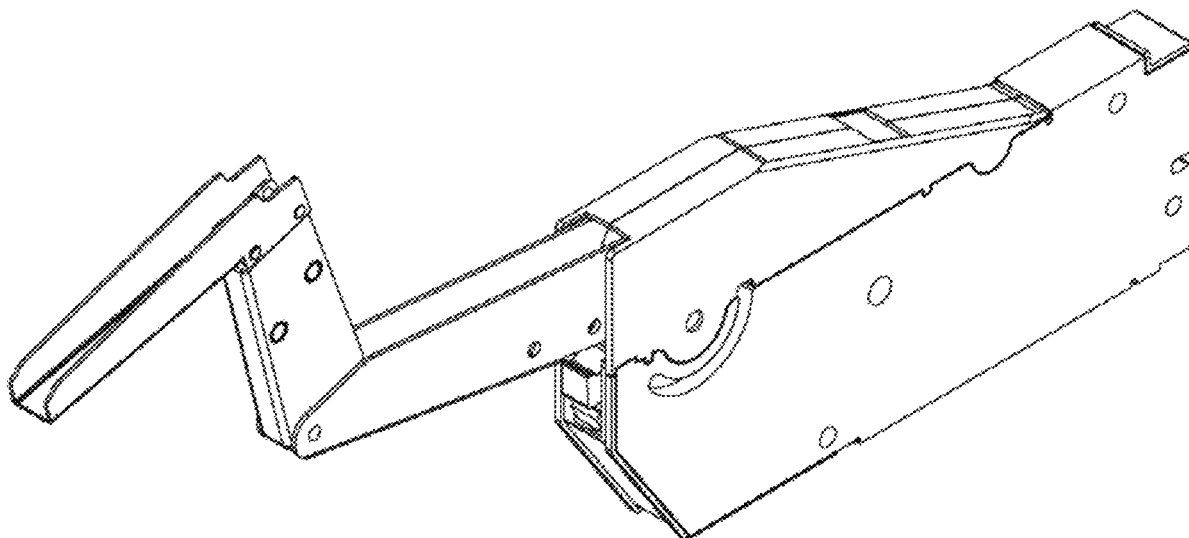


FIG. 1

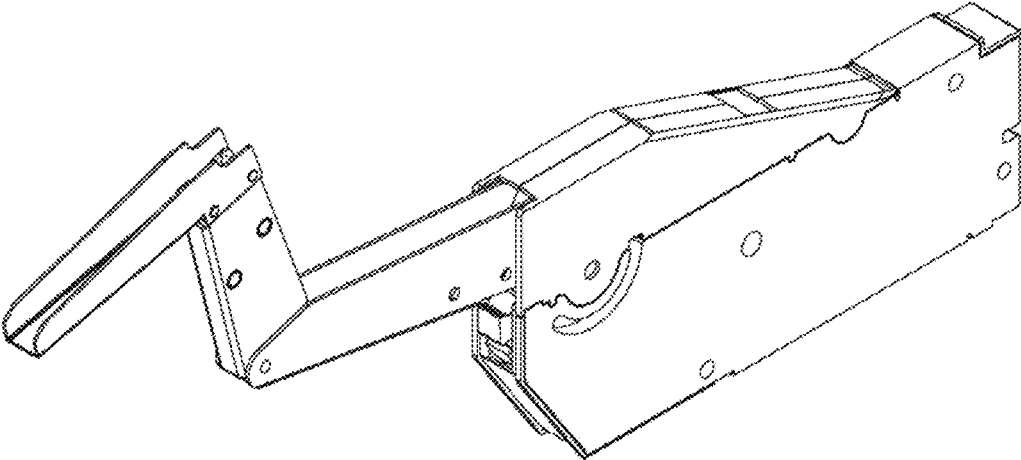


FIG. 2

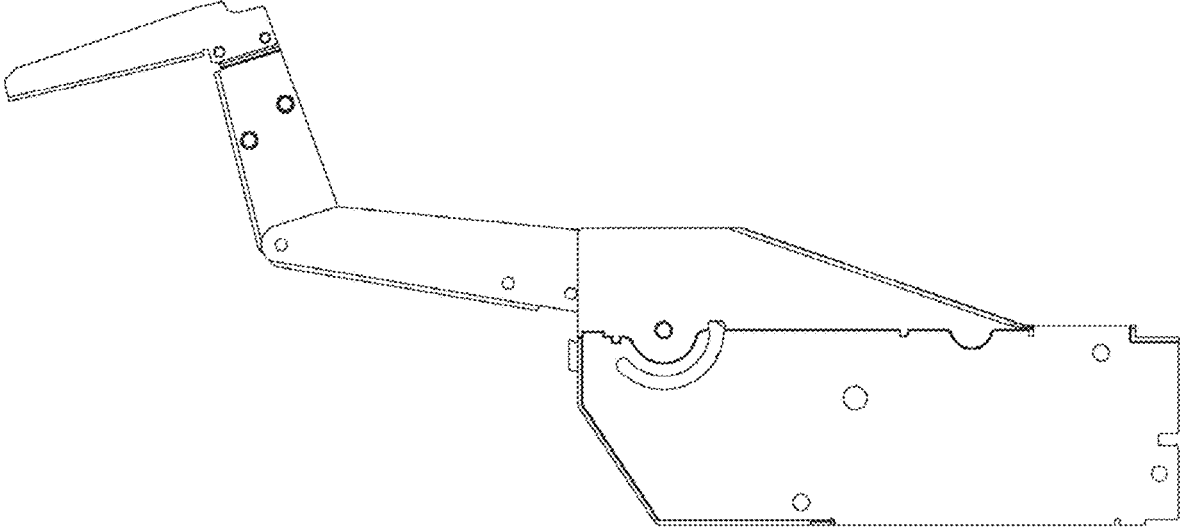


FIG. 3



FIG. 4

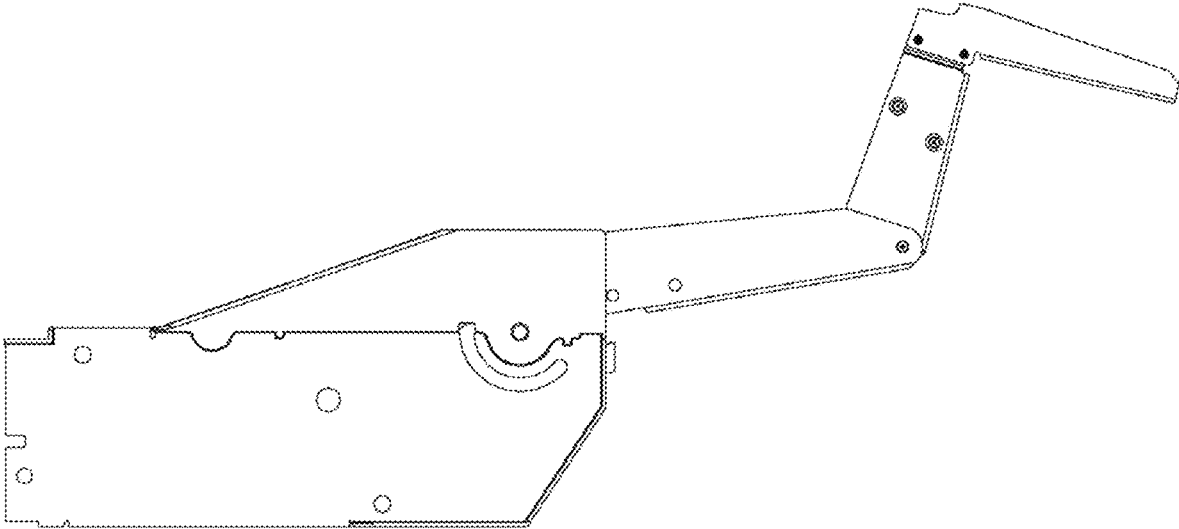


FIG. 5



FIG. 6



FIG. 7

