



US00D460542S

(12) **United States Design Patent** (10) **Patent No.:** **US D460,542 S**
Li (45) **Date of Patent:** **** Jul. 16, 2002**

(54) **COMBINED VENTILATING FAN AND LIGHT**

(75) Inventor: **Chi-Wai Li, Kowloon (HK)**

(73) Assignee: **Bright Commence Industrial Ltd., Hong Kong (CN)**

(**) Term: **14 Years**

(21) Appl. No.: **29/150,108**

(22) Filed: **Nov. 6, 2001**

(51) **LOC (7) Cl.** **23-04**

(52) **U.S. Cl.** **D23/328; D23/382**

(58) **Field of Search** **D23/328, 370, D23/381, 382, 335; D26/50, 59; 416/146 R, 247 R; 362/96**

(56) **References Cited**

U.S. PATENT DOCUMENTS

D207,361 S	*	4/1967	Bruns	D23/328
D297,858 S	*	9/1988	Chang	D23/328
D314,617 S	*	2/1991	Yuen	D23/370

* cited by examiner

Primary Examiner—Lisa Lichtenstein

(74) *Attorney, Agent, or Firm*—Burns, Doane, Swecker & Mathis, L.L.P.

(57) **CLAIM**

The ornamental design for combined ventilating fan and light, as shown and described.

DESCRIPTION

FIG. 1 is a front view of a “combined ventilating fan and light” showing my design;

FIG. 2 is a rear side view thereof;

FIG. 3 is a left side view thereof;

FIG. 4 is a right side view thereof;

FIG. 5 is a top plan view thereof;

FIG. 6 is a bottom view thereof;

FIG. 7 is a perspective view thereof, with the handle in an alternative configuration;

FIG. 8 is a rear perspective view thereof; and,

FIG. 9 is a perspective view in an alternate position.

1 Claim, 9 Drawing Sheets

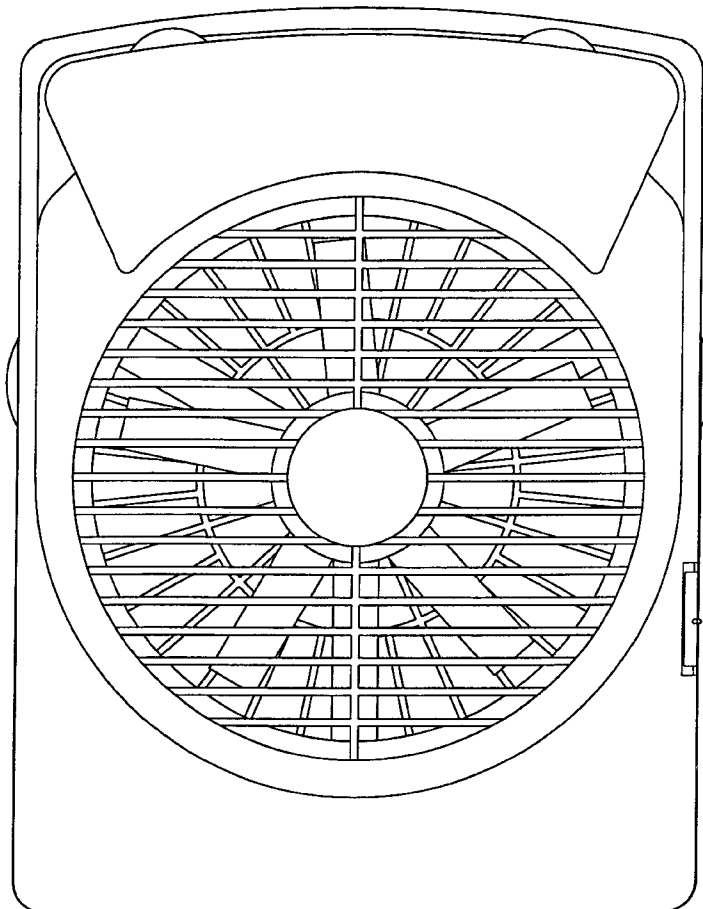


FIG. 1

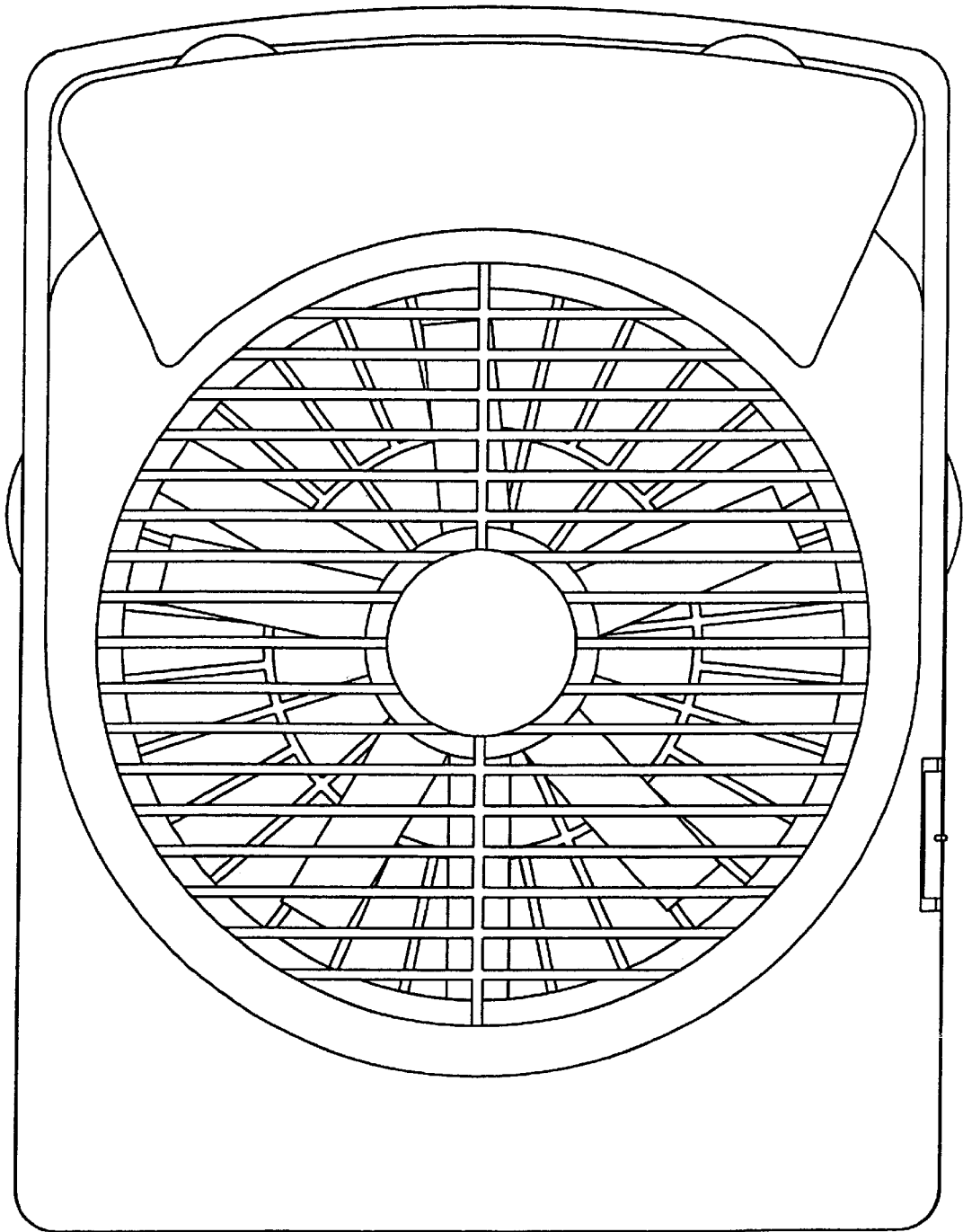


FIG. 2

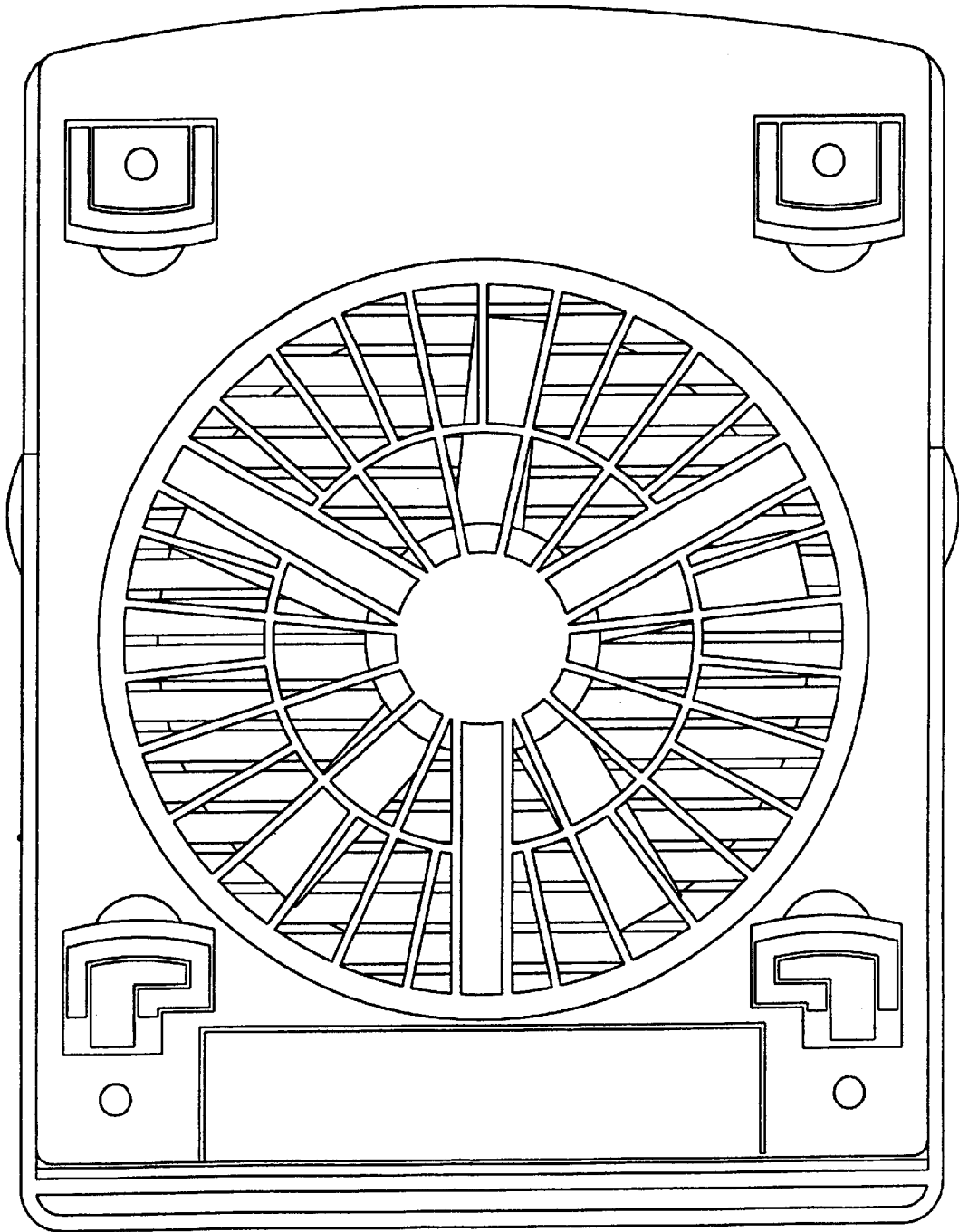


FIG. 3

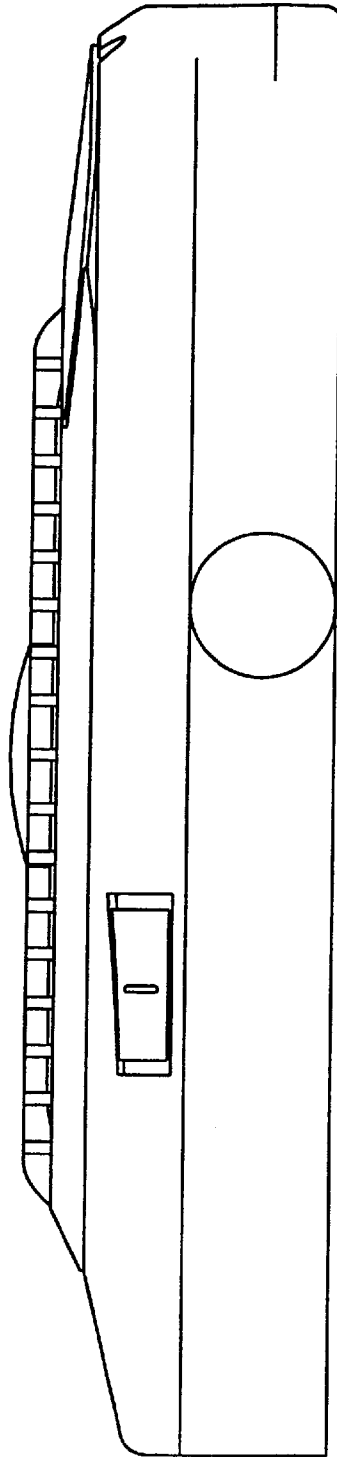


FIG. 4

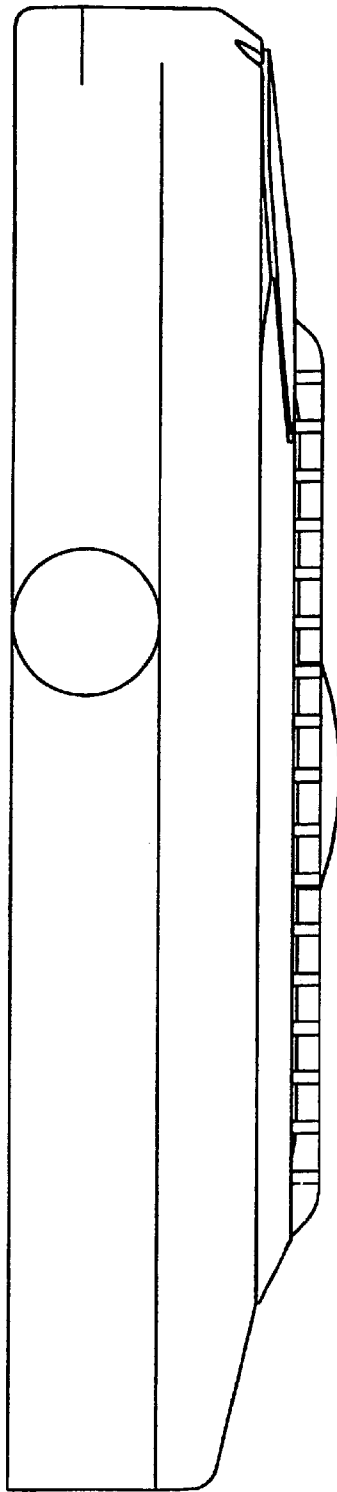


FIG. 5

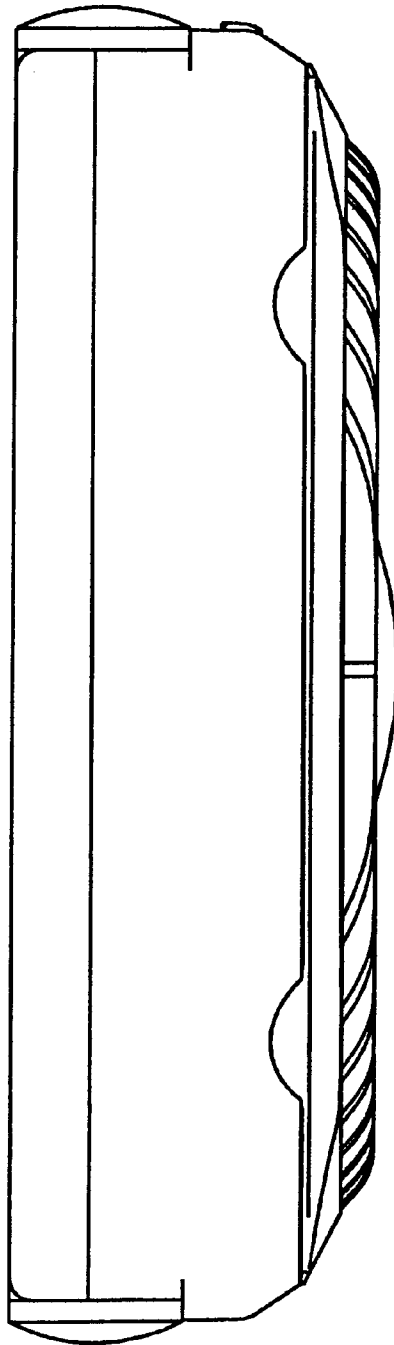


FIG. 6

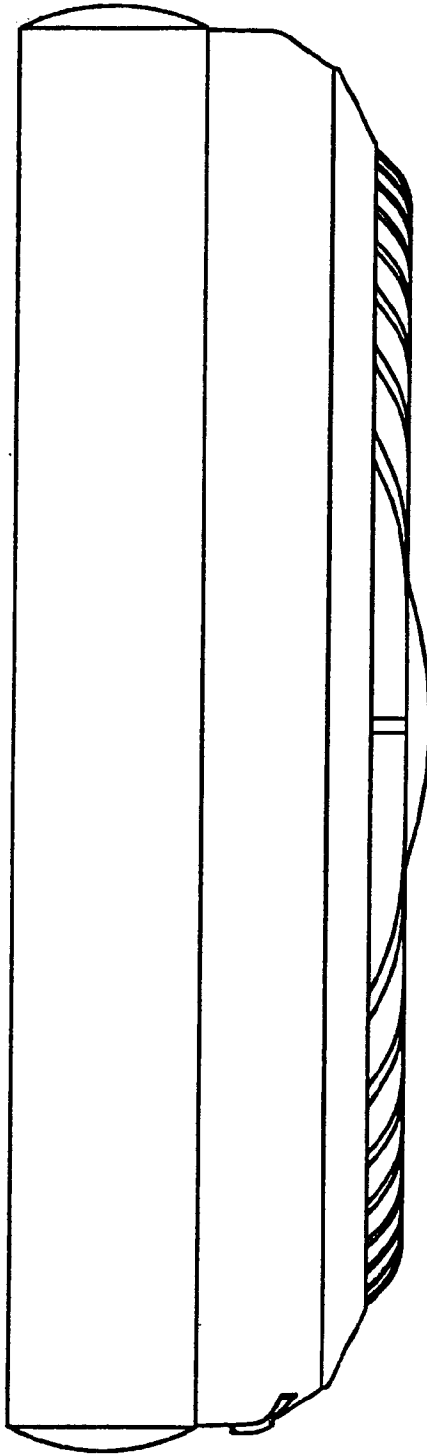


FIG. 7

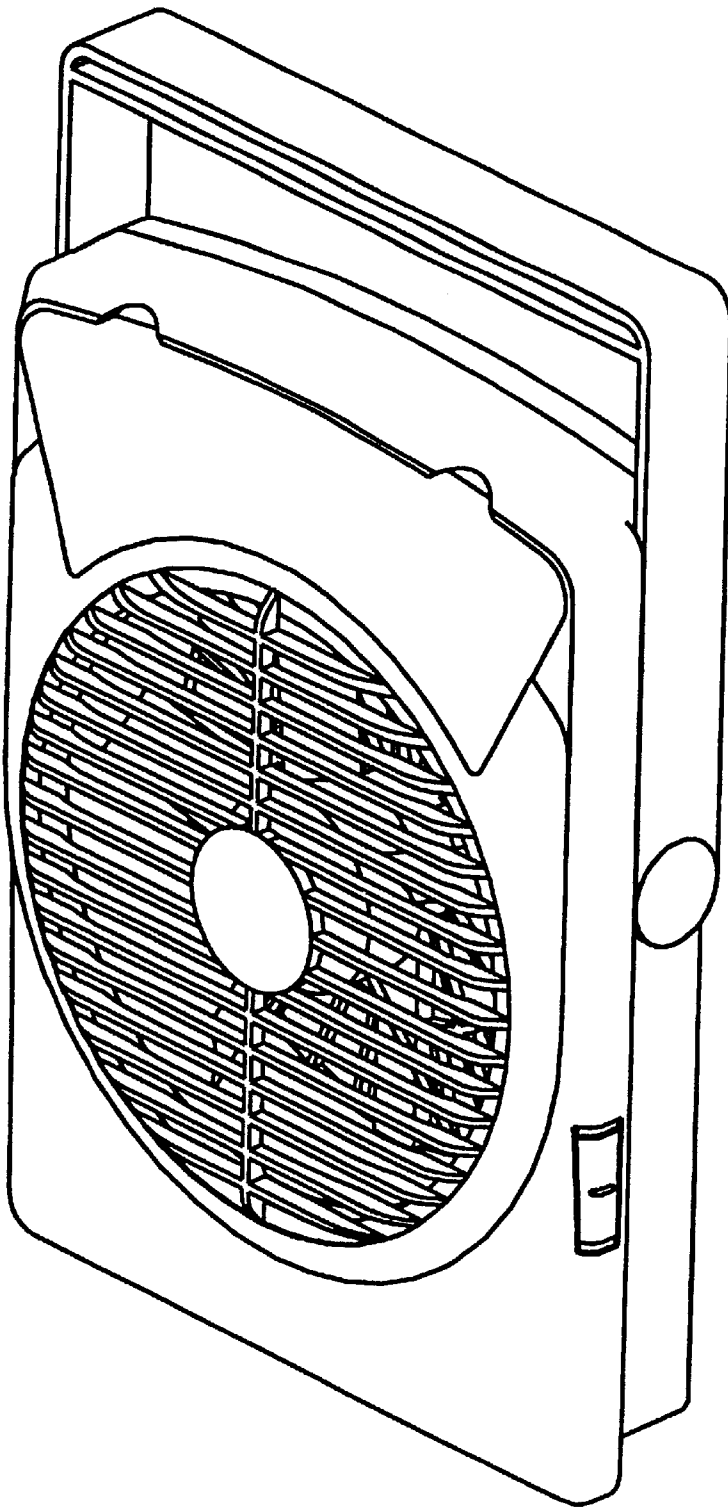


FIG. 8

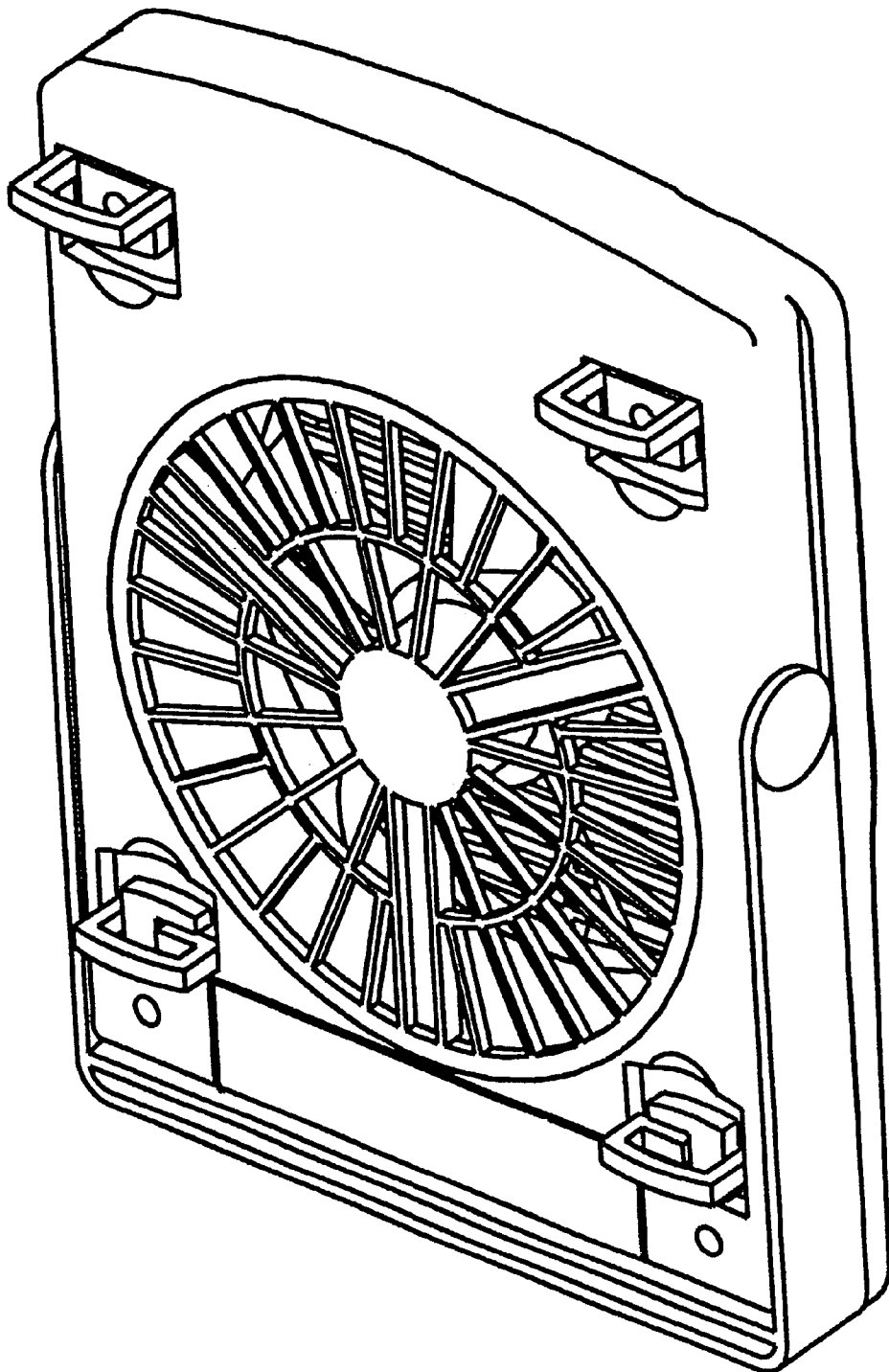


FIG. 9

