



US00D354271S

United States Patent [19]

[11] Patent Number: **Des. 354,271**

Speiser et al.

[45] Date of Patent: **** Jan. 10, 1995**

- [54] **FIBER OPTIC INTERCHANGEABLE TRANSCEIVER MODULE**
- [75] Inventors: **Benjamin T. Speiser**, San Francisco;
Lloyd N. Oliver, Milpitas, both of Calif.
- [73] Assignee: **3 Com Corporation**, Santa Clara, Calif.
- [*] Notice: The portion of the term of this patent subsequent to Dec. 27, 2008 has been disclaimed.
- [**] Term: **14 Years**
- [21] Appl. No.: **8,376**
- [22] Filed: **May 17, 1993**
- [52] U.S. Cl. **D13/146**
- [58] Field of Search D13/147, 162, 164, 182;
361/728, 736, 737, 741, 748, 752, 756, 760;
385/27, 31, 51; 439/55, 59, 62, 63, 64, 65, 76,
78, 79, 82, 527, 529, 536, 544, 547, 571, 578, 629

5,273,463 12/1993 Kaetsu et al. 439/680 X

FOREIGN PATENT DOCUMENTS

341872 11/1989 European Pat. Off. 439/65
 84582 3/1989 Japan 439/62
 2245082 12/1991 United Kingdom 385/53

OTHER PUBLICATIONS

Card-monolithic chip on card subassembly on p. 2867 of IBM Technical Disclosure Bulletin vol. 14 No. 10 Mar. 1972.

Computer cards on p. 73 of *MCM Electronics* Summer 1991 catalog.

Primary Examiner—Wallace R. Burke
Assistant Examiner—Joel Sincavage
Attorney, Agent, or Firm—Townsend and Townsend
 Khourie and Crew

[57] CLAIM

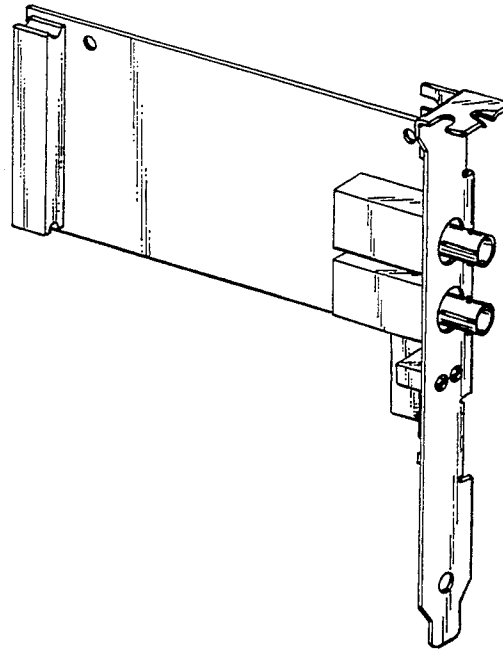
The ornamental design for a fiber optic interchangeable transceiver module, as shown and described.

DESCRIPTION

FIG. 1 is a perspective view of a fiber optic interchangeable transceiver module showing our new design;
 FIG. 2 is a top plan view thereof;
 FIG. 3 is a front plan view thereof;
 FIG. 4 is a left side plan view;
 FIG. 5 is a right side plan view;
 FIG. 6 is a bottom plan view thereof;
 FIG. 7 is a rear plan view thereof; and,
 FIG. 8 is a front plan view thereof showing our design with a network adapter card. The broken line showing of the adapter card is included for the purpose of illustrating environmental structure only and forms no part of the claimed design.

[56] **References Cited**
U.S. PATENT DOCUMENTS

D. 292,698	11/1987	De Vita et al.	D13/182
D. 336,746	6/1993	Tse	D14/114
4,432,604	2/1984	Schwab	439/65 X
4,573,753	3/1986	Vogl	439/65
4,744,006	5/1988	Duffield	361/785 X
4,745,524	5/1988	Patton, III	361/785 X
4,758,928	7/1988	Wierec et al.	439/680 X
4,795,362	1/1989	Vonder et al.	439/629 X
5,031,074	7/1991	Ravid	361/785 X
5,099,394	3/1992	Hood et al.	361/786
5,121,295	6/1992	Lam	361/736
5,142,597	8/1992	Mulholland	385/55 X
5,162,675	11/1992	Olsen et al.	439/62 X



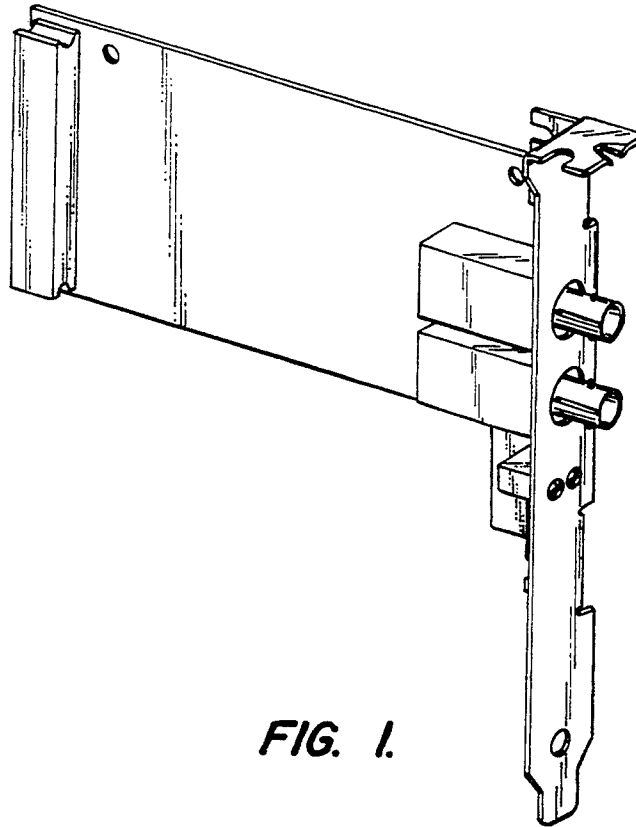


FIG. 1.



FIG. 2.

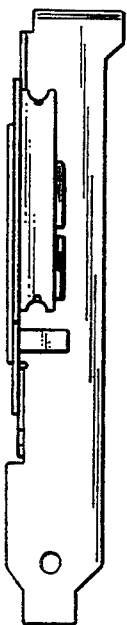


FIG. 4.

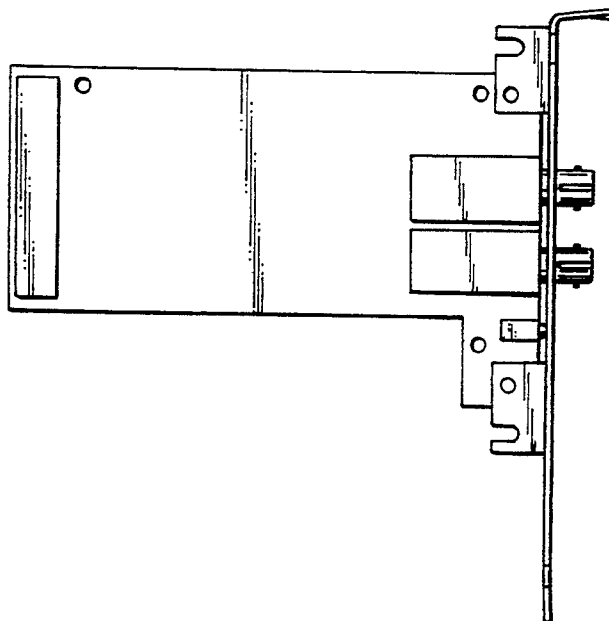


FIG. 3.

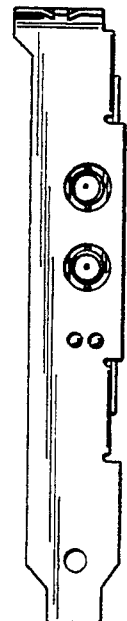


FIG. 5.



FIG. 6.

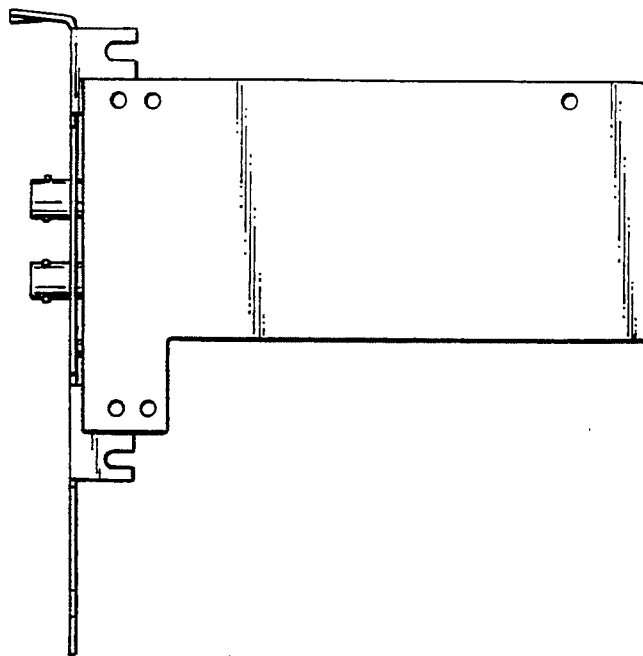


FIG. 7.

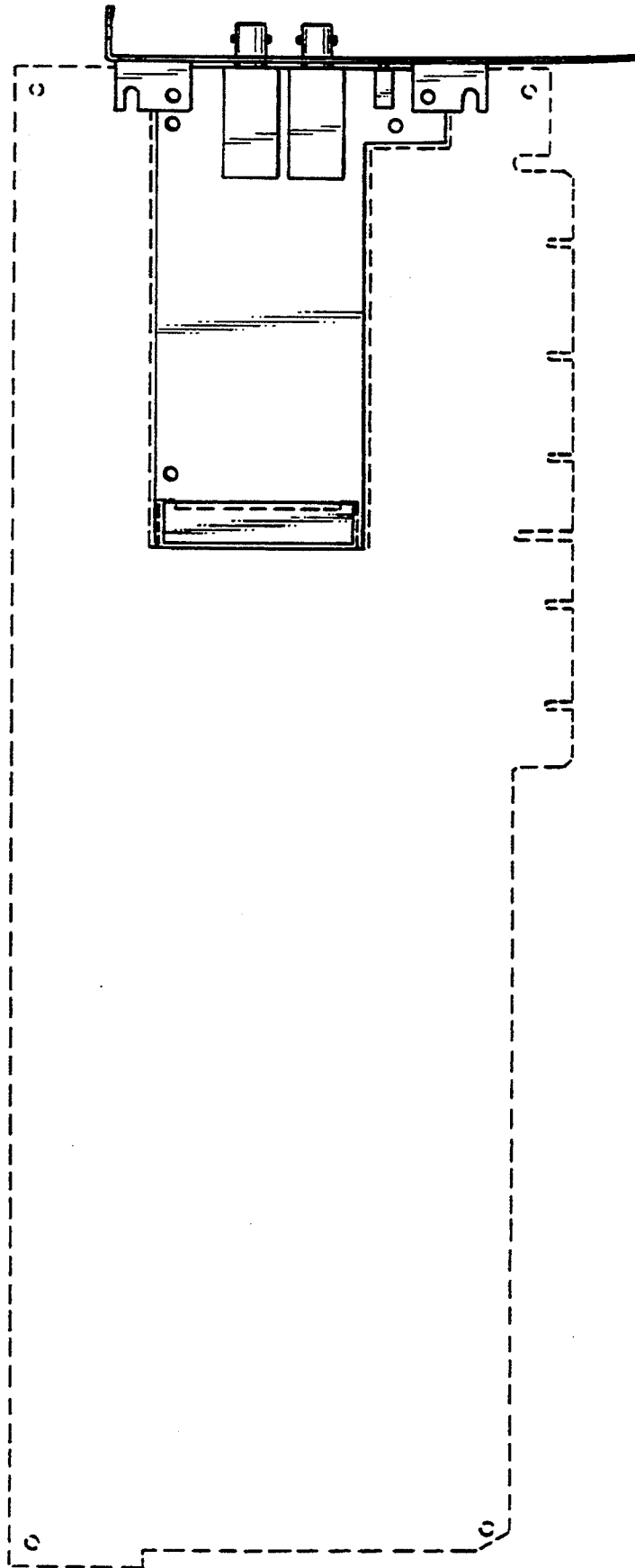


FIG. 8.