



(12) **United States Design Patent**  
**Schaaf et al.**

(10) **Patent No.:** **US D902,683 S**  
(45) **Date of Patent:** **\*\* Nov. 24, 2020**

- (54) **MINI POCKET HOLE JIG TAIL SPACER**
- (71) Applicant: **Kreg Enterprises, Inc.**, Huxley, IA (US)
- (72) Inventors: **Scott Schaaf**, Ankeny, IA (US);  
**Timothy J. Forbes**, Ankeny, IA (US);  
**Neil M. Holland**, Slater, IA (US);  
**Brian Hill**, Ames, IA (US)
- (73) Assignee: **KREG ENTERPRISES, INC.**, Huxley, IA (US)
- (\*\*) Term: **15 Years**
- (21) Appl. No.: **29/689,356**
- (22) Filed: **Apr. 29, 2019**

**Related U.S. Application Data**

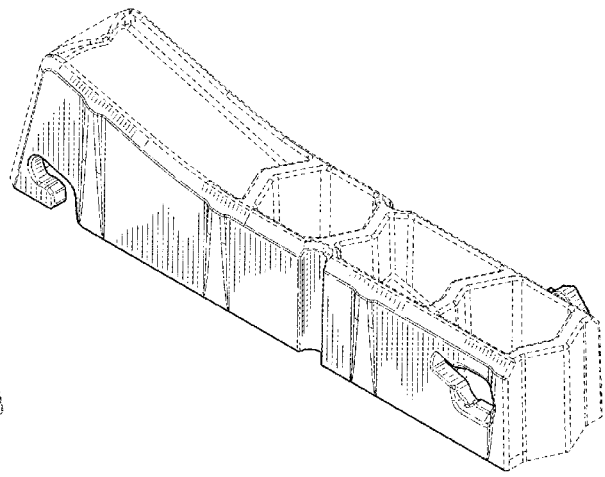
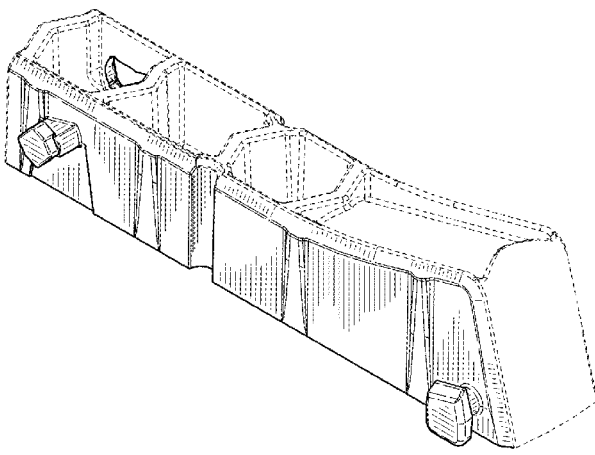
- (63) Continuation of application No. 16/397,260, filed on Apr. 29, 2019.
- (51) **LOC (12) CL.** ..... **08-05**
- (52) **U.S. CL.**  
USPC ..... **D8/71**
- (58) **Field of Classification Search**  
USPC ..... D8/70; D10/61, 64, 65; D15/138, 140  
CPC ..... B23B 41/12; B23B 47/28; B23B 47/281;  
B23B 47/287; B23B 49/02; B23B 49/023;  
B23G 1/22; B23Q 11/88; B25B 5/147;  
B25B 1/064; B25B 1/0078  
See application file for complete search history.

**References Cited**

**U.S. PATENT DOCUMENTS**

- 4,474,514 A \* 10/1984 Jensen ..... B23B 47/287  
408/115 B
- D282,626 S \* 2/1986 Zelli ..... D8/71
- D293,203 S \* 12/1987 Hertensteiner ..... 248/68.1
- 4,719,951 A \* 1/1988 Woltanski ..... B23Q 3/005  
144/253.1
- D295,016 S \* 4/1988 Forrester ..... D8/70
- 4,952,101 A \* 8/1990 Coombs ..... B23B 47/287  
33/667

- 5,056,966 A \* 10/1991 Lee ..... B23B 47/287  
408/115 R
- D328,698 S \* 8/1992 Worthington ..... D10/69
- 5,322,396 A \* 6/1994 Blacker
- D357,854 S \* 5/1995 Payne ..... D23/263
- D363,201 S \* 10/1995 Hill ..... D8/71
- 5,560,408 A \* 10/1996 DiFranco ..... B23B 47/287  
144/104
- D380,953 S \* 7/1997 Norgaard ..... D8/71
- 5,676,500 A \* 10/1997 Sommerfeld
- D393,217 S \* 4/1998 Brickman ..... D10/64
- D393,218 S \* 4/1998 Brickman ..... D10/64
- 5,791,835 A \* 8/1998 Chlang et al.
- 5,853,270 A \* 12/1998 Salley ..... B23B 47/28  
408/87
- D431,440 S \* 10/2000 Okada ..... D8/71
- 6,254,320 B1 \* 7/2001 Weinstein et al.
- 6,394,712 B1 \* 5/2002 Weinstein et al.
- 6,599,064 B1 \* 7/2003 Robinson
- 6,726,411 B2 \* 4/2004 Sommerfeld et al.
- D503,415 S \* 3/2005 Dembicks
- 6,955,508 B1 \* 10/2005 Radcliffe
- D528,930 S \* 9/2006 Degen
- 7,101,123 B1 \* 9/2006 Weinstein et al.
- 7,134,814 B1 \* 11/2006 Park
- D567,269 S \* 4/2008 Sion
- D568,706 S \* 5/2008 Weiby ..... D8/72
- D568,707 S \* 5/2008 Weiby ..... D8/72
- 7,374,373 B1 \* 5/2008 Park et al.
- 7,484,914 B1 \* 2/2009 Weinstein et al.
- 7,597,513 B2 \* 10/2009 Chang
- 7,670,089 B2 \* 3/2010 Chiang
- 7,798,750 B2 \* 9/2010 Clark
- 8,052,358 B2 \* 11/2011 McDaniel et al.
- 8,083,443 B1 \* 12/2011 Circosta et al.
- D651,885 S \* 1/2012 Banasik
- 8,087,853 B2 \* 1/2012 Stukuls
- 8,152,420 B1 \* 4/2012 Block ..... B23B 47/287  
408/115 R
- 8,231,313 B2 \* 7/2012 Sommerfeld et al.
- D679,613 S \* 4/2013 Propp ..... D10/65
- 8,459,906 B1 \* 6/2013 Schmitt ..... B23B 47/287  
408/97
- D688,930 S \* 9/2013 Krohmer ..... D8/71
- D690,180 S \* 9/2013 Del Rossa ..... D8/71
- D701,542 S \* 3/2014 Shearer ..... D15/128
- 8,840,345 B1 \* 9/2014 Park
- D718,595 S \* 12/2014 Shearer ..... D8/70
- D734,680 S \* 7/2015 Eisinger ..... D10/64
- 9,682,430 B2 \* 6/2017 Clark
- 9,782,837 B2 \* 10/2017 Pelkey
- D804,927 S \* 12/2017 Ryan ..... D8/71
- D809,032 S \* 1/2018 Cummings



D809,578	S	2/2018	Cummings	
9,969,011	B1	5/2018	Marusiak	
9,969,042	B2	5/2018	Clark	
10,022,808	B2	7/2018	Chang	
D824,741	S *	8/2018	Davis	D8/71
10,144,068	B1	12/2018	Poole	
10,173,269	B2	1/2019	Cattaneo	
10,286,458	B2	5/2019	Brigham	
10,315,295	B2	6/2019	Vandenberg	
10,343,222	B2	7/2019	Walter	
10,357,831	B2	7/2019	Evatt et al.	
D871,880	S *	1/2020	Clark	B23B 49/02 D8/71
D872,147	S *	1/2020	Hall	D15/140
2003/0123941	A1	7/2003	Emerson	
2004/0253065	A1	12/2004	Davis	
2005/0089381	A1	4/2005	Liu	
2006/0228180	A1	10/2006	Sommerfeld	
2007/0201961	A1	8/2007	Chiang	
2007/0280797	A1	12/2007	McDaniel et al.	
2008/0075546	A1	3/2008	Lin	
2008/0099101	A1	5/2008	Chiang	
2008/0187404	A1	8/2008	Chiang	
2009/0191015	A1 *	7/2009	Quinn	B23B 47/288 408/115 R
2010/0320162	A1 *	12/2010	Kao	B25H 3/04 211/70.6
2011/0150587	A1	6/2011	Stukuls	
2012/0051865	A1	3/2012	Liu	
2012/0243955	A1 *	9/2012	Cross	B23B 49/02 408/72 B
2014/0064868	A1 *	3/2014	Clark	B25H 3/003 408/241 B
2015/0016907	A1 *	1/2015	Frick	B25H 7/02 408/115 R
2016/0158850	A1	6/2016	Fisher	
2017/0087644	A1	3/2017	Pelkey	
2018/0071835	A1	3/2018	Poole et al.	
2018/0141133	A1	5/2018	Clark	
2018/0185930	A1	7/2018	Duginske	
2018/0214959	A1	8/2018	Evatt et al.	
2018/0214960	A1	8/2018	Evatt et al.	
2018/0290217	A1	10/2018	Asimakis	
2018/0345385	A1	12/2018	Yates et al.	
2019/0015903	A1	1/2019	Schleicher	
2019/0030619	A1	1/2019	Thackery	
2019/0047058	A1	2/2019	Pikarski et al.	
2019/0054547	A1	4/2019	Pikarski et al.	
2019/0111499	A1	4/2019	Evatt et al.	
2019/0126360	A1	5/2019	Marra, Jr.	
2019/0176247	A1	6/2019	Chang	
2019/0217402	A1	7/2019	Brigham	

FOREIGN PATENT DOCUMENTS

AU	8345001	A	3/2002
AU	2014295887	A1	2/2016
AU	2018101034	A4	8/2018
CA	3012668		1/2019
DE	102004023343	A1	12/2005
DE	202006005977	U1	8/2006
DE	60125047	T2	7/2007
DE	202012103274	U1	9/2012
DE	202017101885	U1	5/2017
DE	202018104374	U1	9/2018
DE	102004023343		1/2019
DE	102017115668		1/2019
EP	1712315	A1	10/2006
EP	1311364	B1	12/2006
EP	1595627	B1	4/2008
EP	2512763	A2	10/2012
EP	2223762	B1	7/2015
EP	3027364	A1	6/2016
EP	3391984	A1	10/2018
EP	3444057		2/2019
EP	3444058		2/2019
EP	3446817		2/2019
GB	2346573		8/2000

GB	2496473	A	5/2013
GB	201806455		10/2018
GB	2564944		1/2019
GB	2567053		4/2019
GB	2567056		4/2019

\* cited by examiner

Primary Examiner — Darlington Ly  
(74) Attorney, Agent, or Firm — Christopher A. Prosky; BrownWinick Law Firm

(57) CLAIM

The ornamental design for a mini pocket hole jig tail spacer, as shown and described.

DESCRIPTION

FIG. 1 is a top elevational view of a mini pocket hole jig spacer;  
 FIG. 2 is a bottom elevational view of a mini pocket hole jig spacer;  
 FIG. 3 is a rear elevational view of a mini pocket hole jig spacer;  
 FIG. 4 is a front elevational view of a mini pocket hole jig spacer;  
 FIG. 5 is a side elevational view of a mini pocket hole jig spacer;  
 FIG. 6 is another side elevational view of a mini pocket hole jig spacer;  
 FIG. 7 is a top rear perspective view of a mini pocket hole jig spacer;  
 FIG. 8 is another top rear perspective view of a mini pocket hole jig spacer;  
 FIG. 9 is a top front perspective view of a mini pocket hole jig spacer;  
 FIG. 10 is another top front perspective view of a mini pocket hole jig spacer;  
 FIG. 11 is a bottom rear perspective view of a mini pocket hole jig spacer;  
 FIG. 12 is another bottom rear perspective view of a mini pocket hole jig spacer;  
 FIG. 13 is a bottom front perspective view of a mini pocket hole jig spacer;  
 FIG. 14 is another bottom front perspective view of a mini pocket hole jig spacer;  
 FIG. 15 is a top elevational view of a mini pocket hole jig spacer, shown in connection with mini pocket hole jigs and their respective, attached tail sections, as shown in dashed lines for intended use purposes;  
 FIG. 16 is a bottom elevational view of a mini pocket hole jig spacer, shown in connection with mini pocket hole jigs and their respective, attached tail sections, as shown in dashed lines for intended use purposes;  
 FIG. 17 is a rear elevational view of a mini pocket hole jig spacer, shown in connection with mini pocket hole jigs and their respective, attached tail sections, as shown in dashed lines for intended use purposes;  
 FIG. 18 is a front elevational view of a mini pocket hole jig spacer, shown in connection with mini pocket hole jigs and their respective, attached tail sections, as shown in dashed lines for intended use purposes;  
 FIG. 19 is a top rear perspective view of a mini pocket hole jig tail spacer, shown in connection with mini pocket hole jigs and their respective, attached tail sections, as shown in dashed lines for intended use purposes;

FIG. 20 is another top rear perspective view of a mini pocket hole jig tail spacer, shown in connection with mini pocket hole jigs and their respective, attached tail sections, as shown in dashed lines for intended use purposes;

FIG. 21 is a bottom rear perspective view of a mini pocket hole jig tail spacer, shown in connection with mini pocket hole jigs and their respective, attached tail sections, as shown in dashed lines for intended use purposes;

FIG. 22 is a top front perspective view of a mini pocket hole jig tail spacer, shown in connection with mini pocket hole jigs and their respective, attached tail sections, as shown in dashed lines for intended use purposes;

FIG. 23 is another top front perspective view of a mini pocket hole jig tail spacer, shown in connection with mini pocket hole jigs and their respective, attached tail sections, as shown in dashed lines for intended use purposes; and,

FIG. 24 is a top rear exploded perspective view of a mini pocket hole jig tail spacer, shown in connection with mini pocket hole jigs and their respective, attached tail sections, as shown in dashed lines for intended use purposes.

The broken lines in the drawings illustrate environmental structures of multiple mini pocket hole jigs, tail section attachments, and portions of the mini pocket hole jig tail spacer that form no part of the claimed design.

**1 Claim, 24 Drawing Sheets**

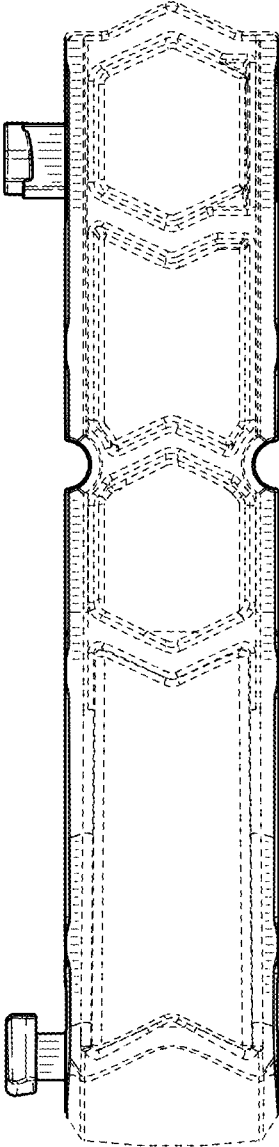


FIG. 1

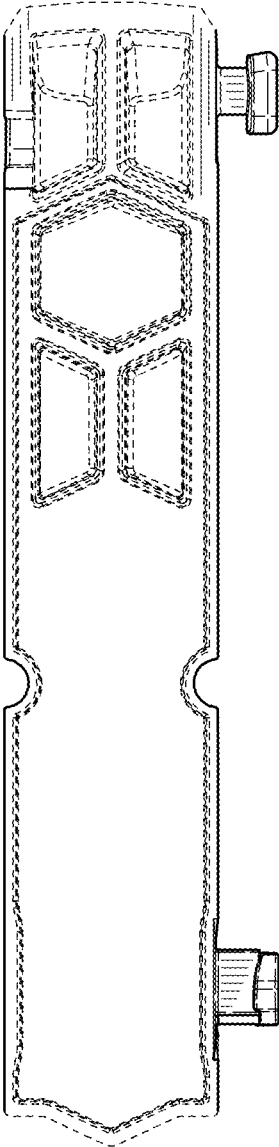


FIG. 2

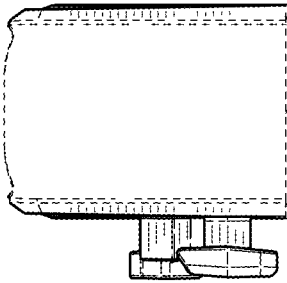


FIG. 3

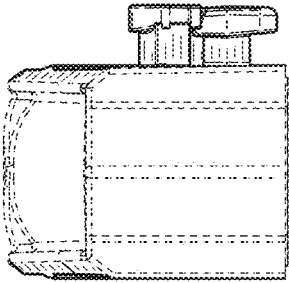


FIG. 4

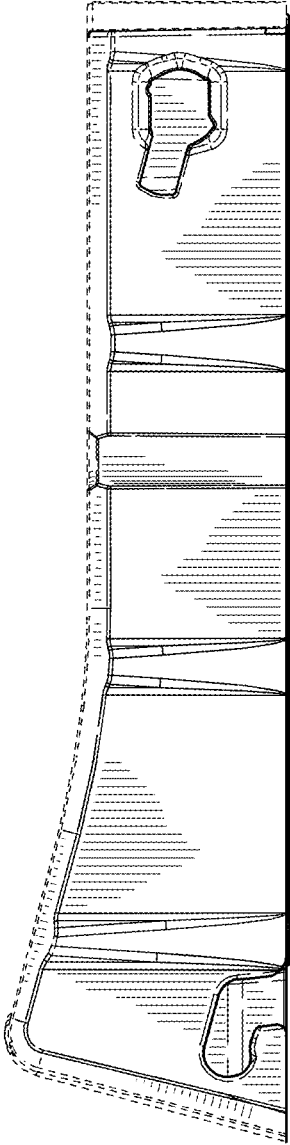


FIG. 5



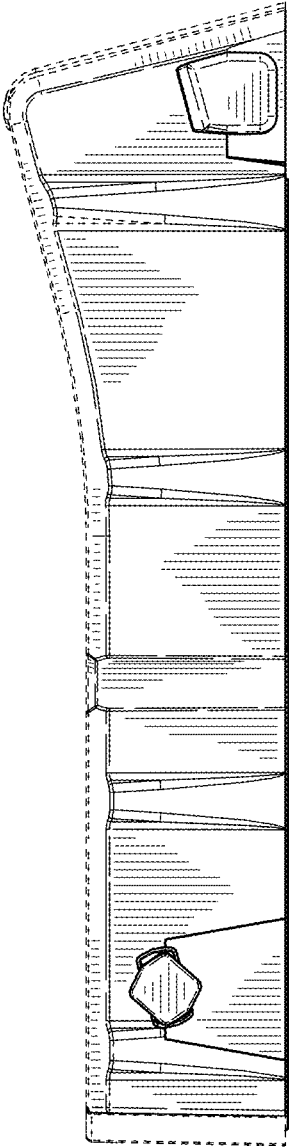


FIG. 6

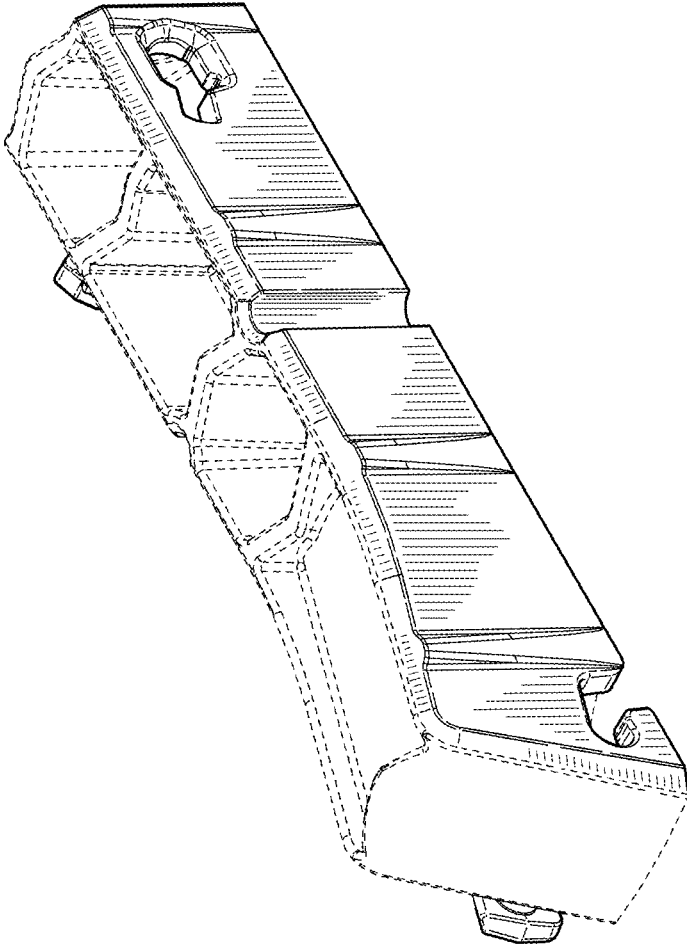


FIG. 7

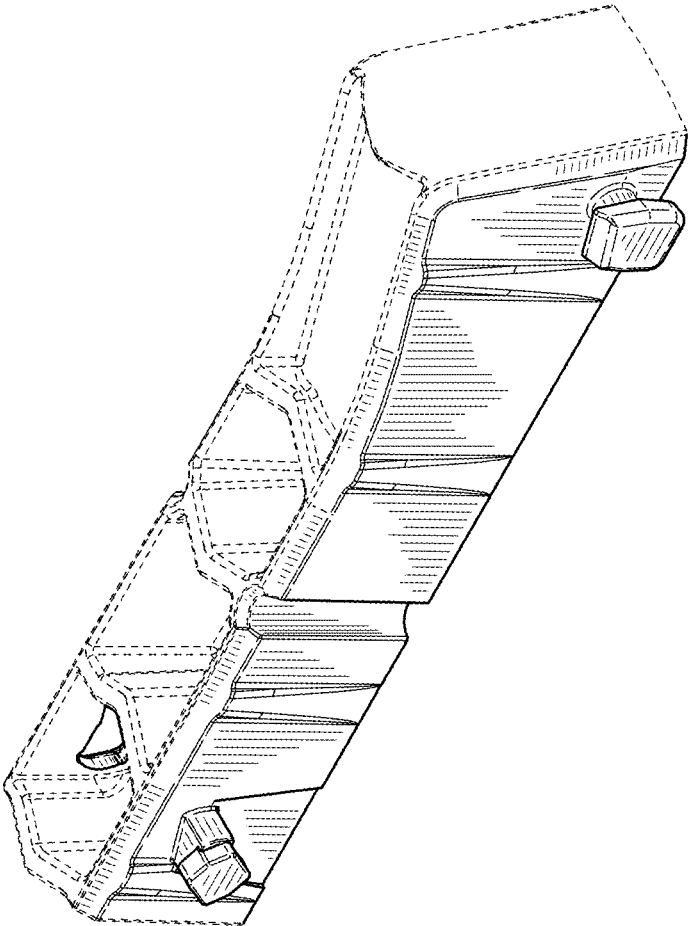


FIG. 8

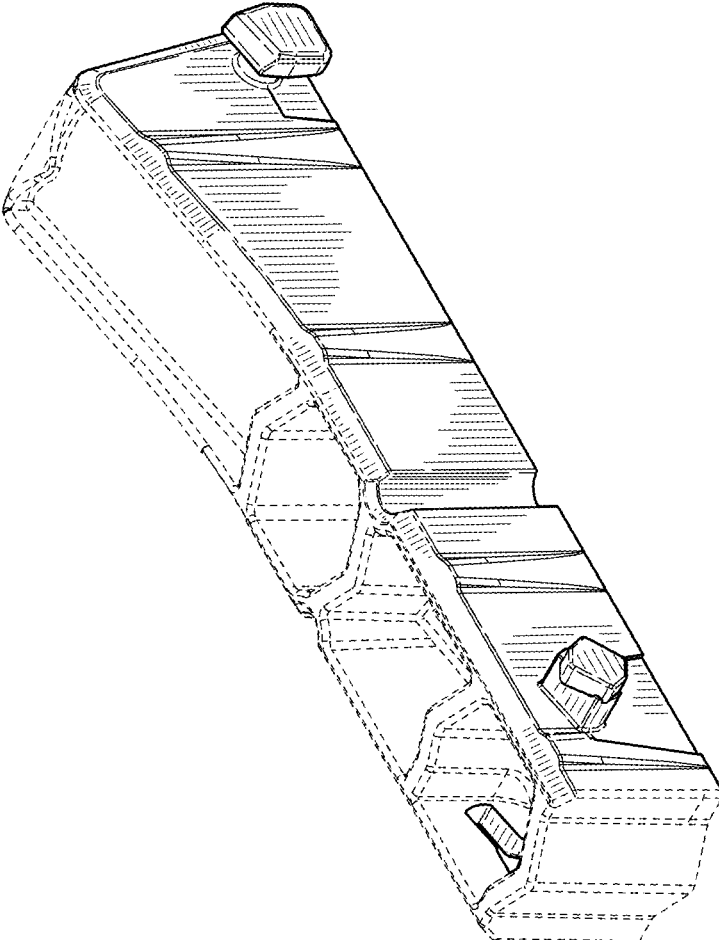


FIG. 9

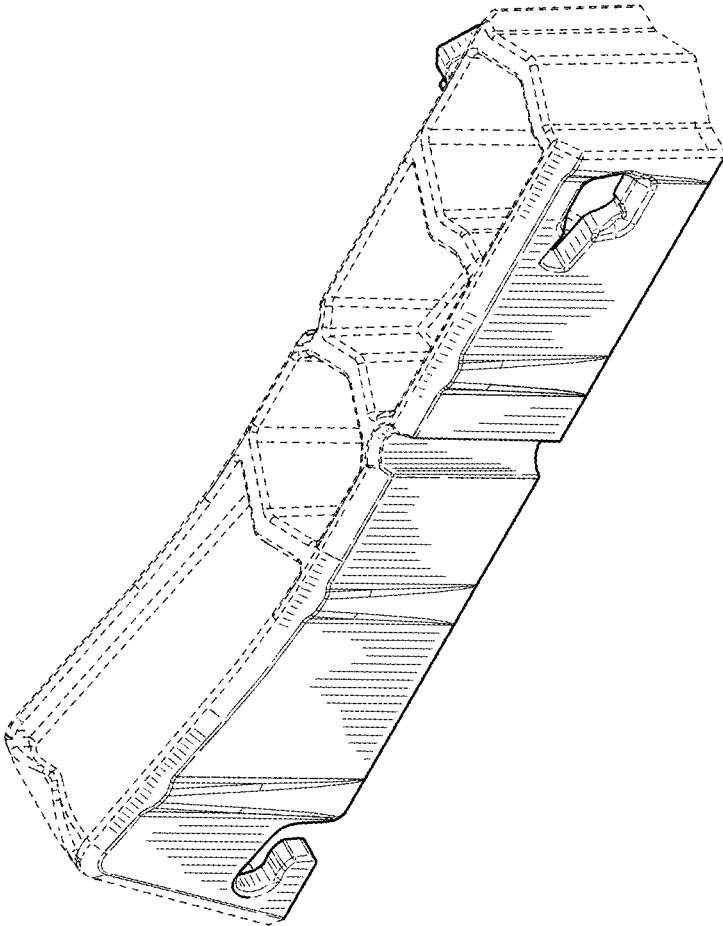


FIG. 10

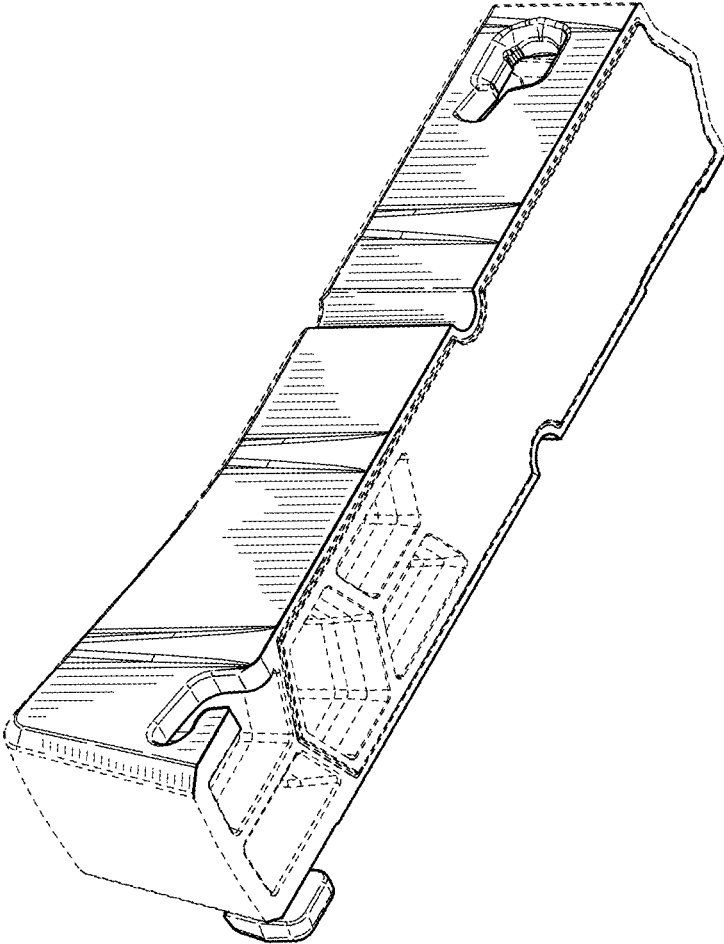


FIG. 11

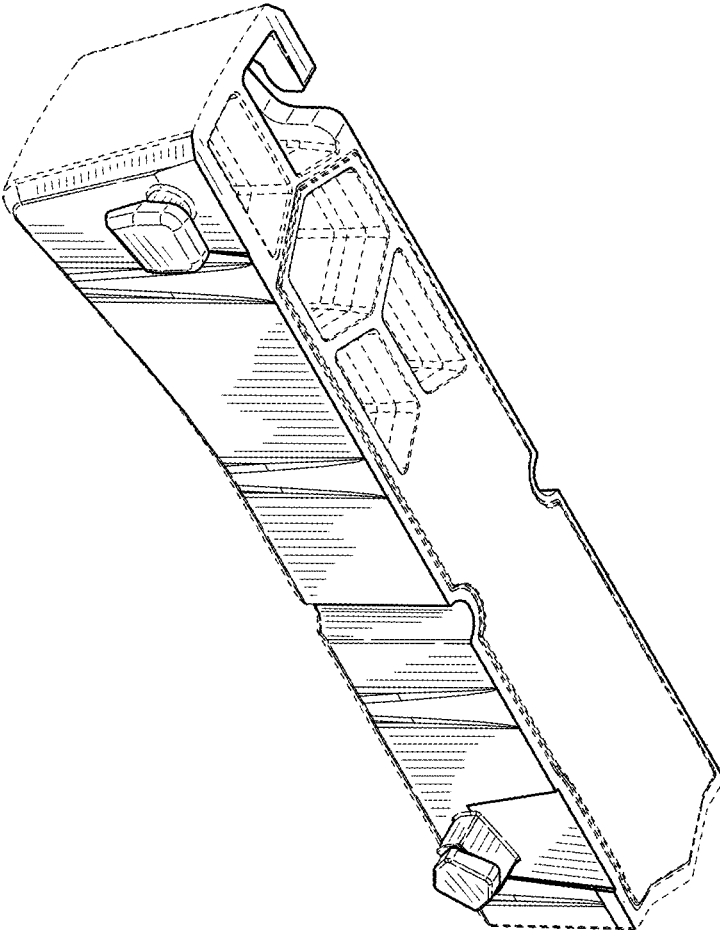


FIG. 12

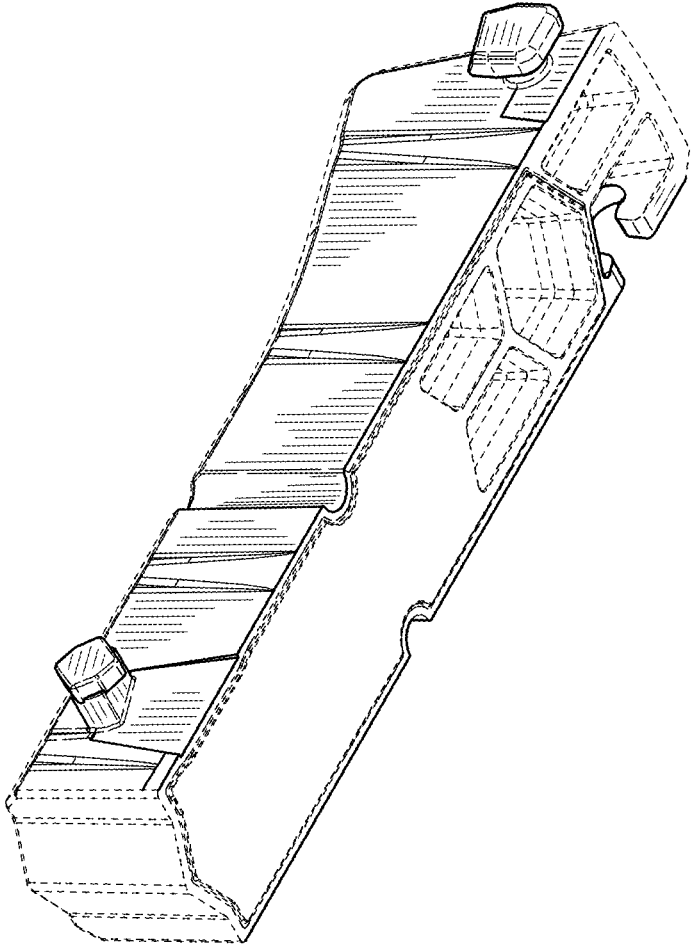


FIG. 13



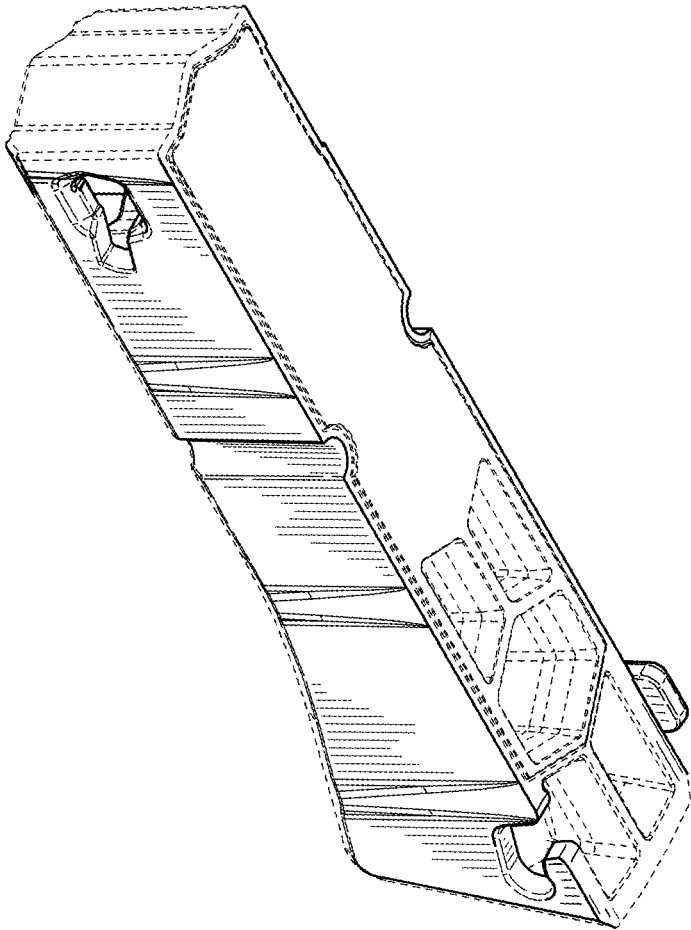


FIG. 14

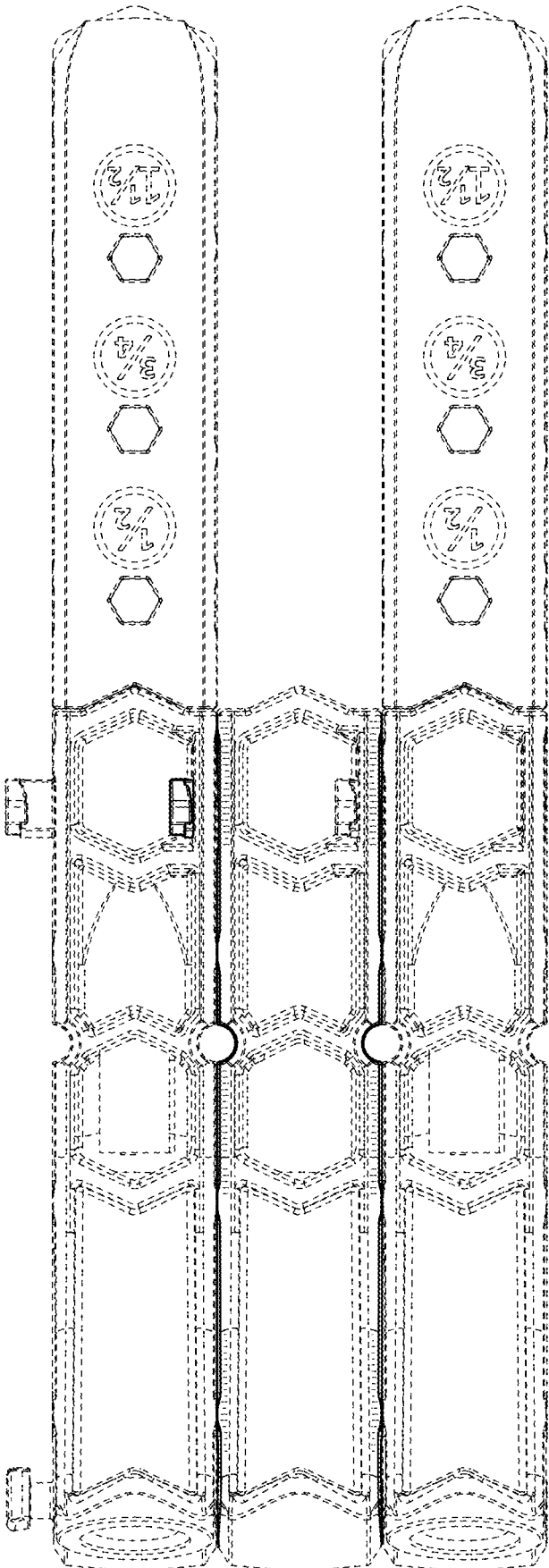


FIG. 15

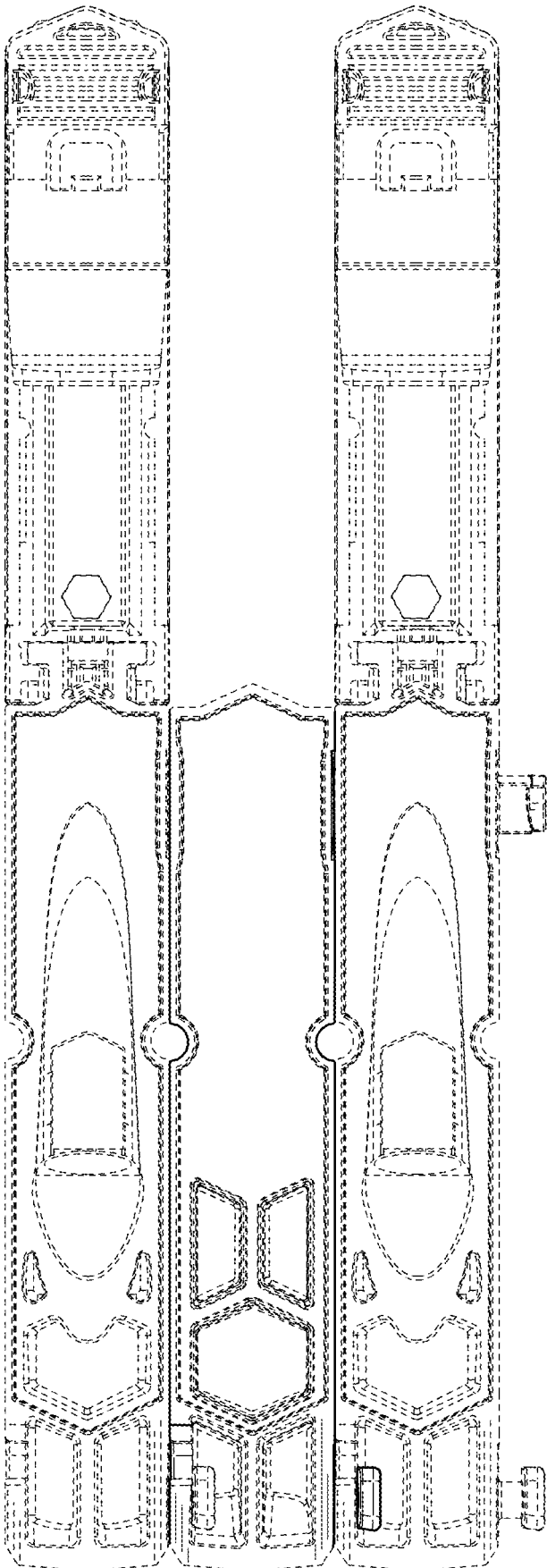


FIG. 16

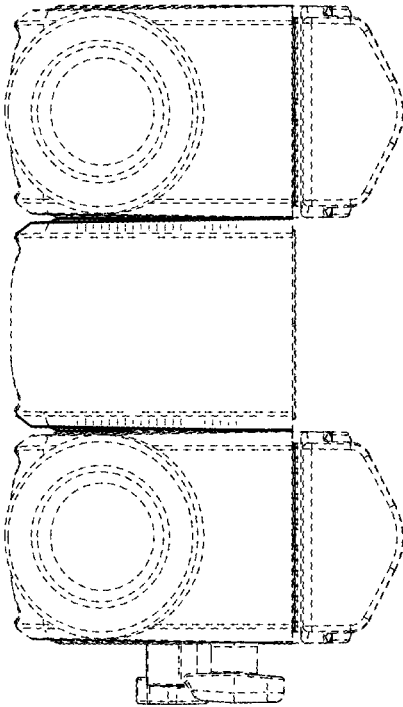


FIG. 17

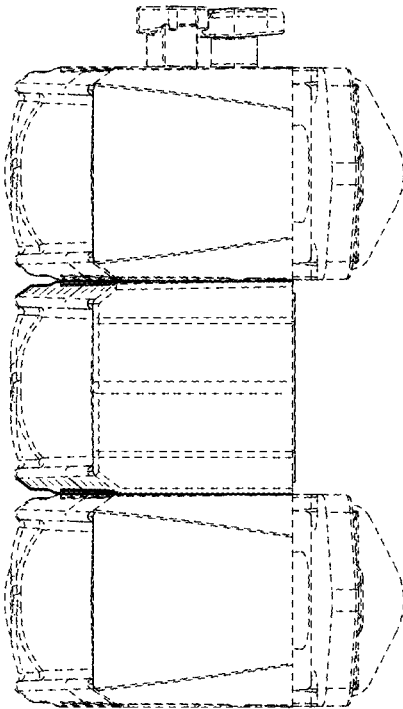


FIG. 18

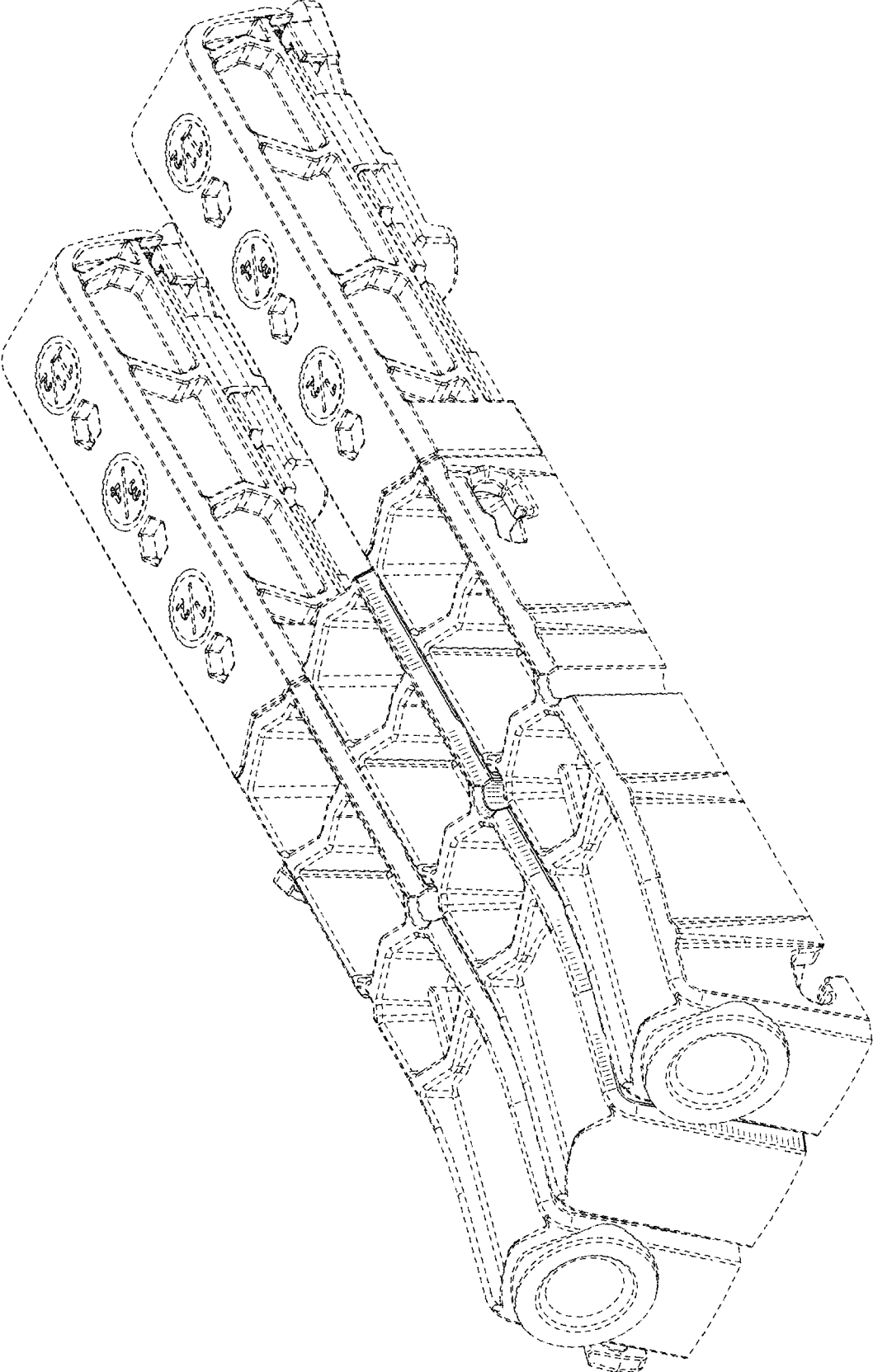


FIG. 19

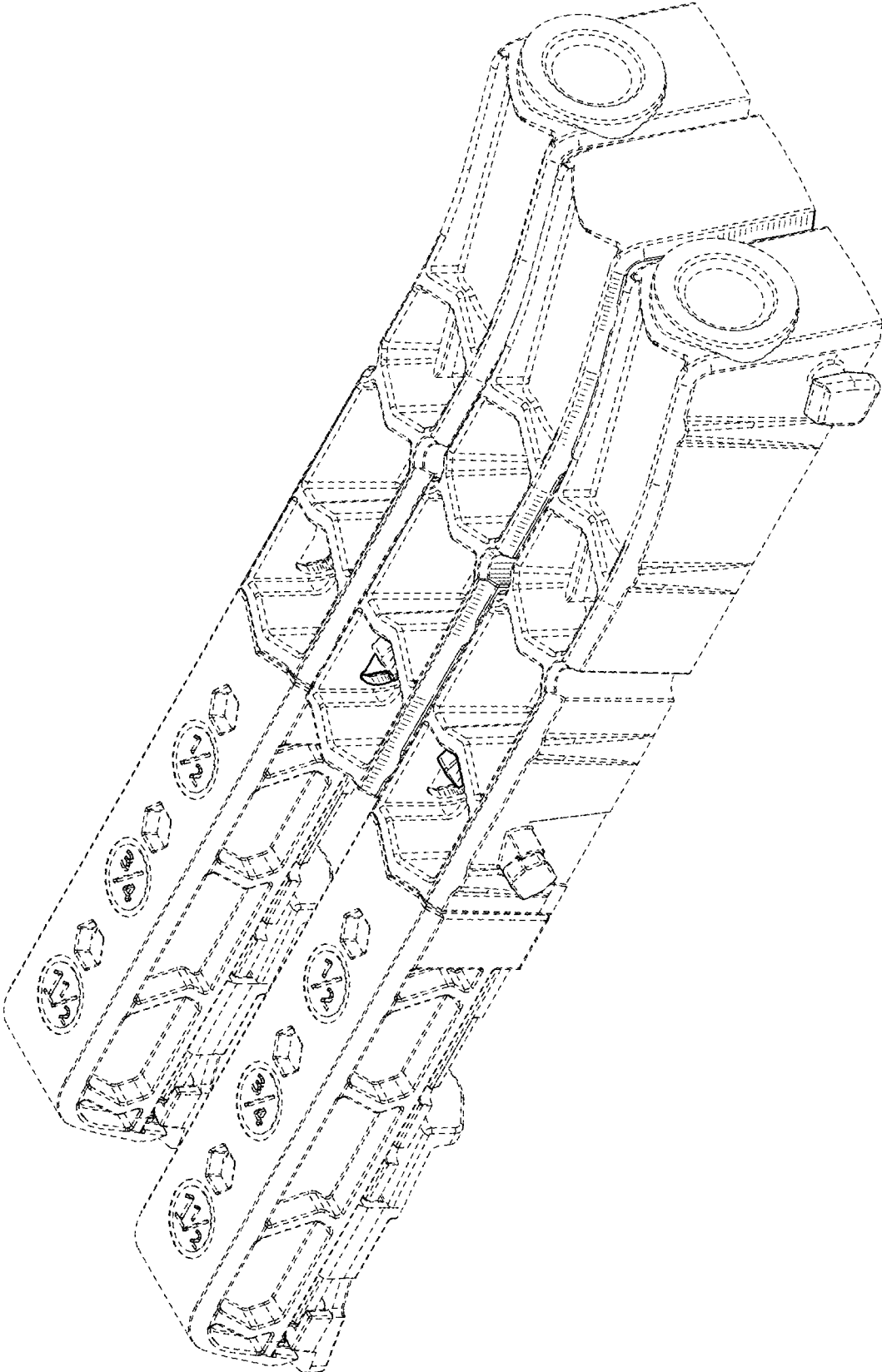


FIG. 20

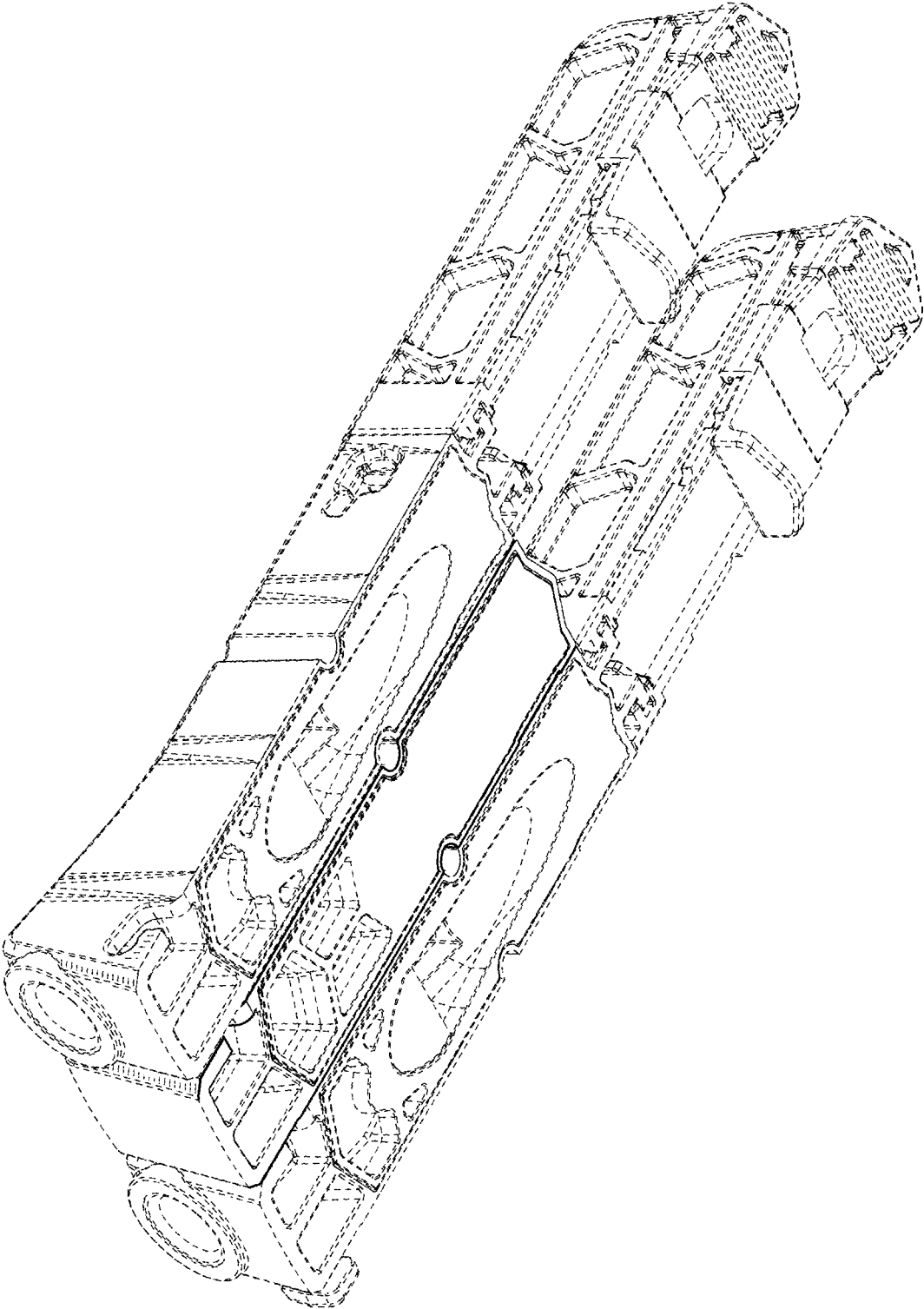


FIG. 21



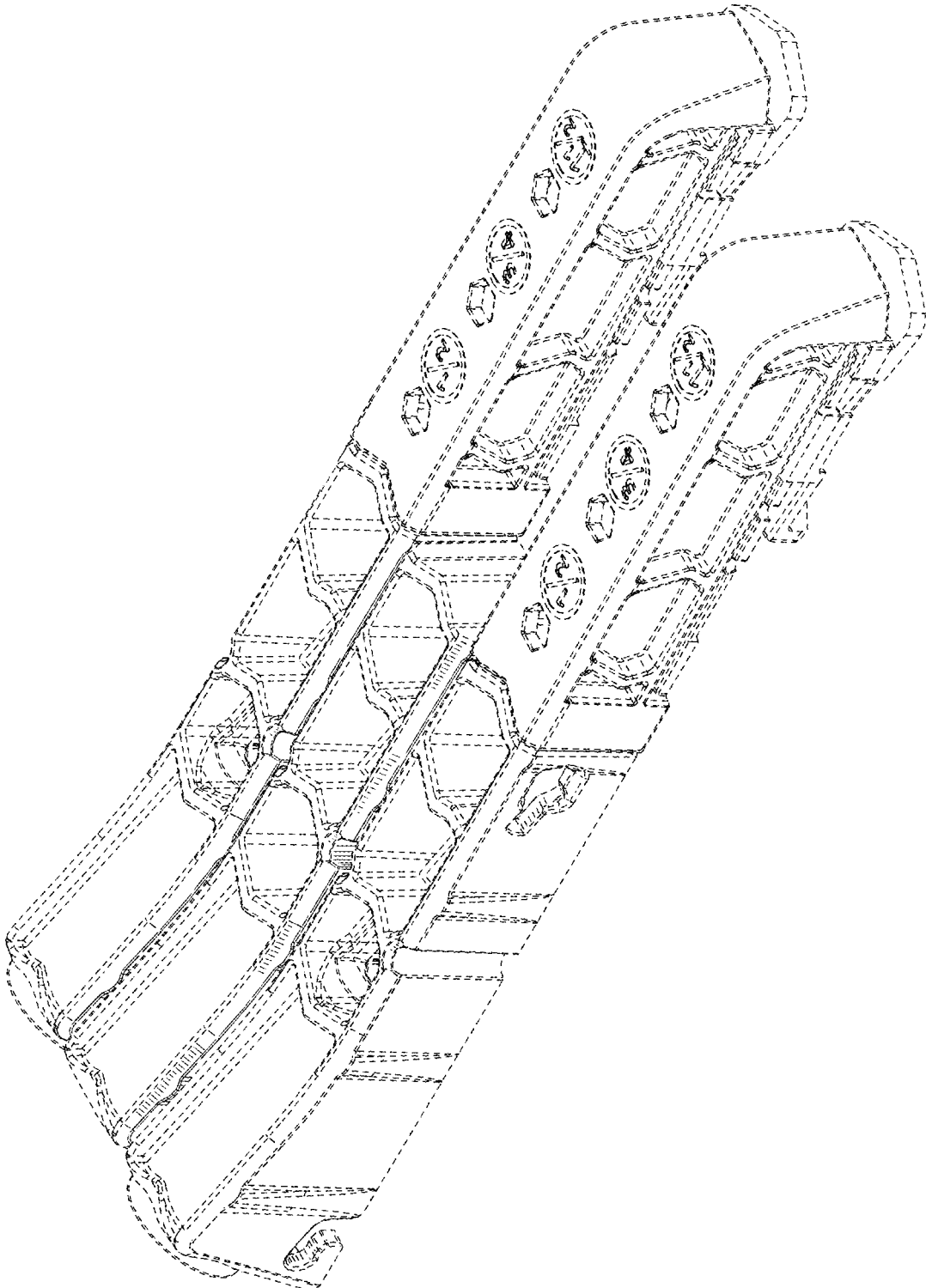


FIG. 22

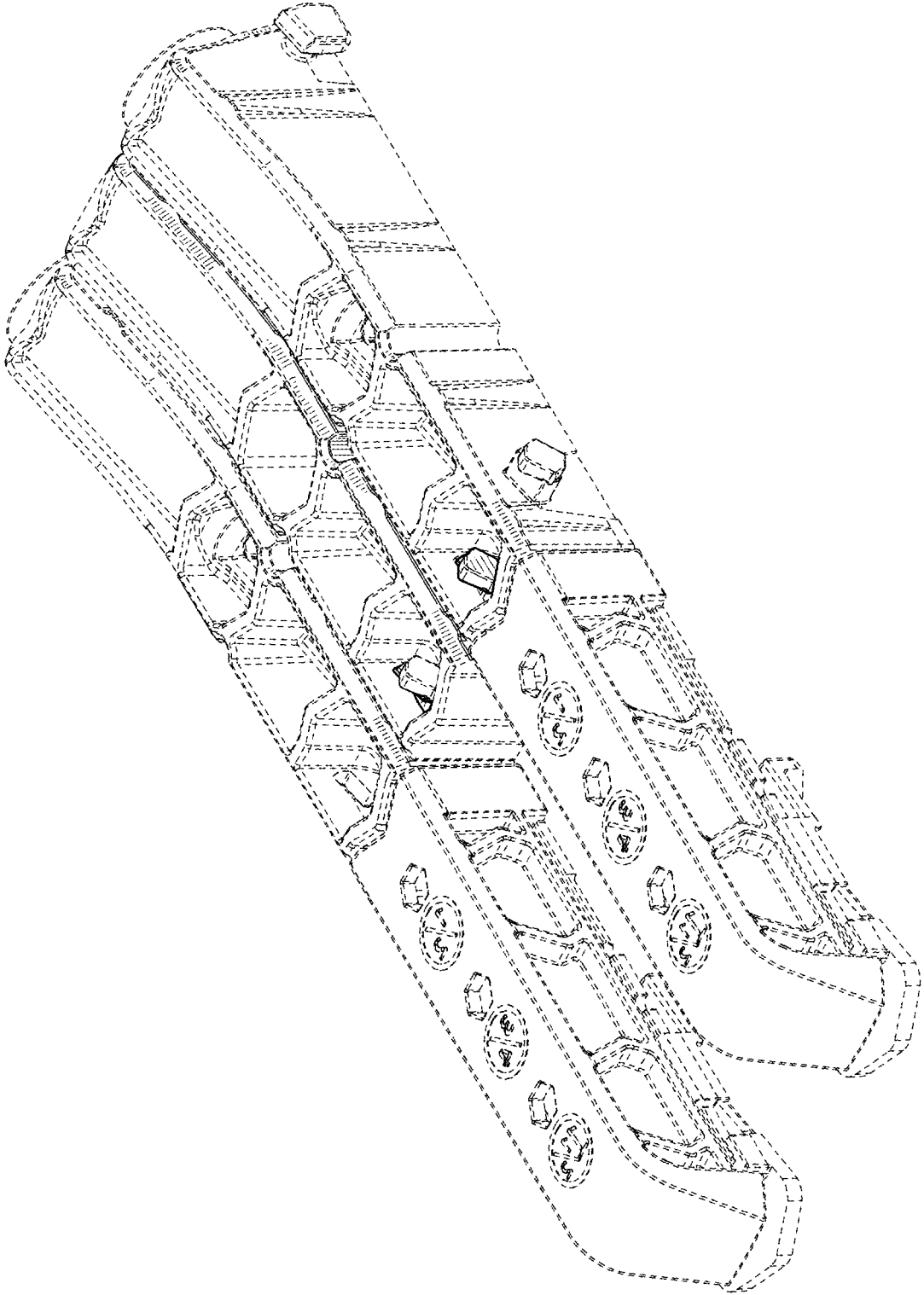


FIG. 23

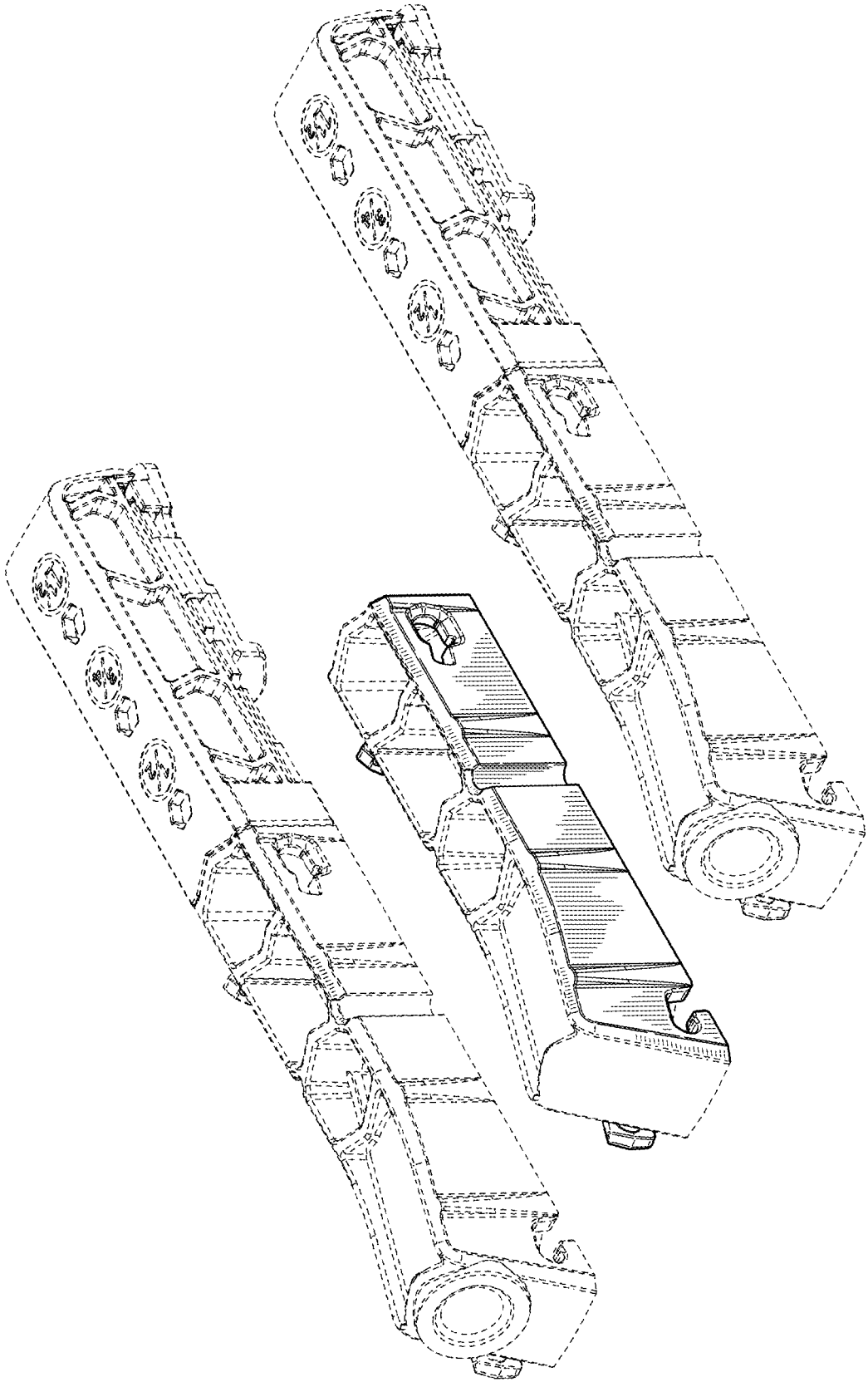


FIG. 24