



US0D1018787S

(12) **United States Design Patent**
Williams et al.

(10) **Patent No.:** **US D1,018,787 S**

(45) **Date of Patent:** **** Mar. 19, 2024**

(54) **FAUCET**

(71) Applicant: **AS America, Inc.**, Piscataway, NJ (US)

(72) Inventors: **Emilie Williams**, New York, NY (US);
Jian Zhang, Guangzhou (CN); **Fen Liu**, Guangzhou (CN)

(73) Assignee: **AS America, Inc.**, Piscataway, NJ (US)

(**) Term: **15 Years**

(21) Appl. No.: **29/818,828**

(22) Filed: **Dec. 10, 2021**

(30) **Foreign Application Priority Data**

Jun. 29, 2021 (CN) 202130406056.8

(51) **LOC (14) Cl.** **23-01**

(52) **U.S. Cl.**
USPC **D23/242**

(58) **Field of Classification Search**
USPC D23/238-242, 249-250, 252, 255, 257;
D8/307-308

CPC E03C 1/04; E03C 1/0404; E03C 1/042;
E03C 2001/0415; Y10T 137/9464; F16K
31/60; F16K 31/607

See application file for complete search history.

(56) **References Cited**

U.S. PATENT DOCUMENTS

D825,036 S * 8/2018 Merki D23/252
D907,745 S * 1/2021 Stoler D23/252

D950,018 S * 4/2022 Stoler D23/242
D954,212 S * 6/2022 Stoler D23/252
D961,736 S * 8/2022 Kim D23/241
D963,805 S * 9/2022 Liao D23/242
D991,408 S * 7/2023 L'Henaff D23/242

* cited by examiner

Primary Examiner — Robert A Delehanty

(74) *Attorney, Agent, or Firm* — Tyler A. Stevenson;
Anna-lisa L. Gallo

(57) **CLAIM**

We claim the ornamental design for a faucet, as shown and described.

DESCRIPTION

FIG. 1 is a top, left side, perspective view of a faucet showing our new design;

FIG. 2 is a bottom, right side, perspective view thereof;

FIG. 3 is a front view thereof;

FIG. 4 is a rear view thereof;

FIG. 5 is a left side view thereof;

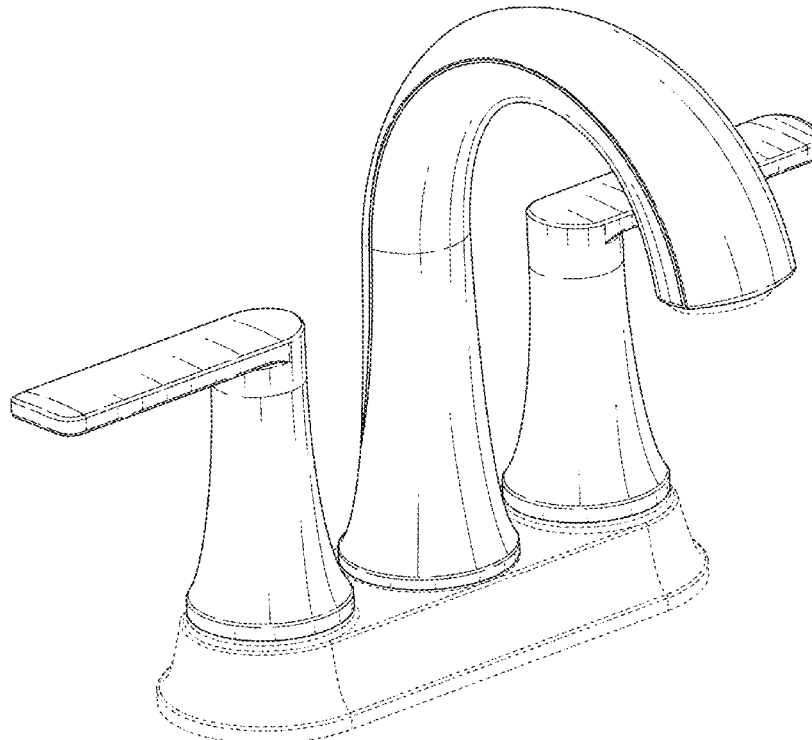
FIG. 6 is a right side view thereof;

FIG. 7 is a top view thereof; and,

FIG. 8 is a bottom view thereof.

Broken lines of the disclosure represent portions of the faucet that form no part of the claimed design.

1 Claim, 8 Drawing Sheets



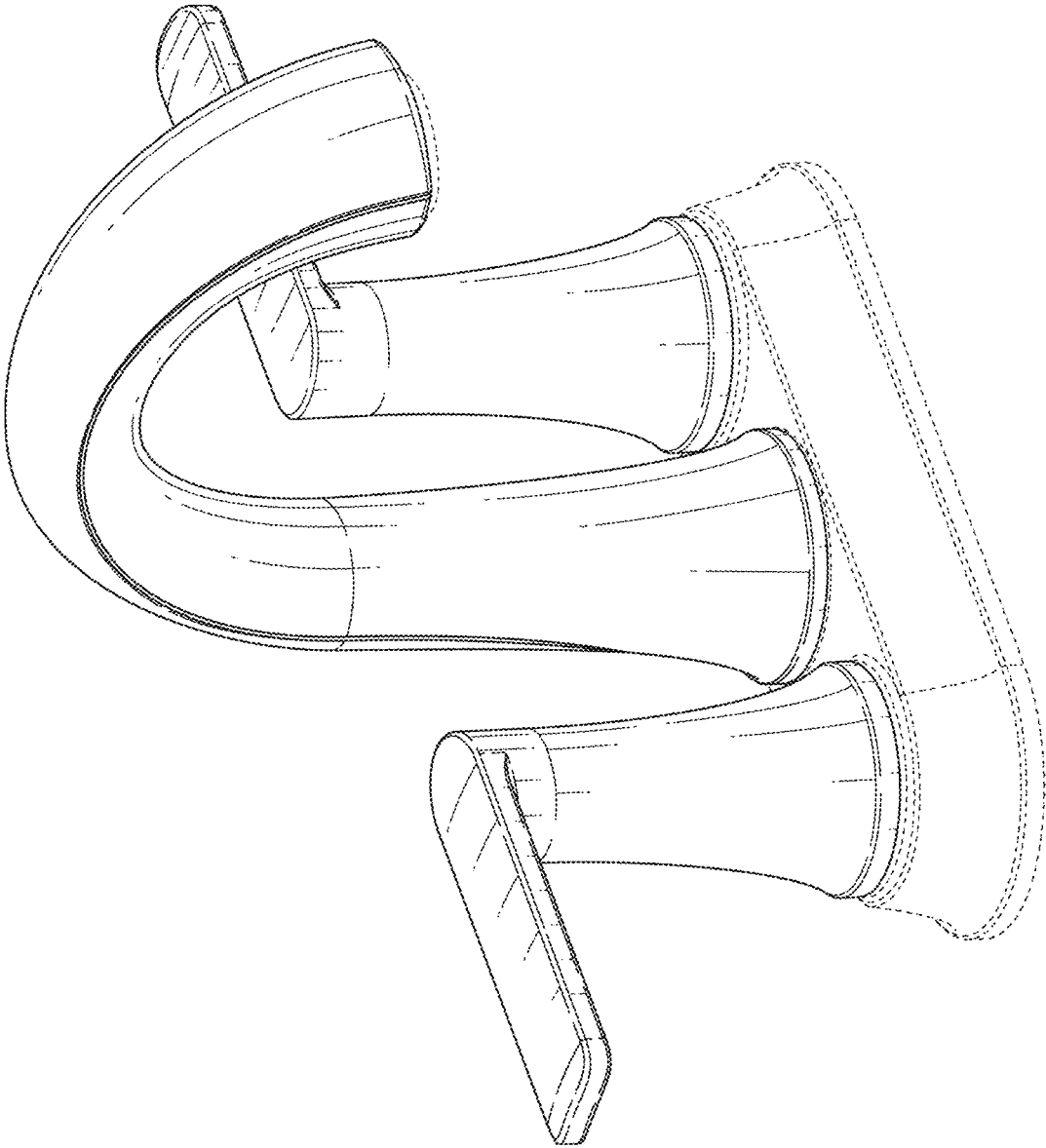


FIG. 1

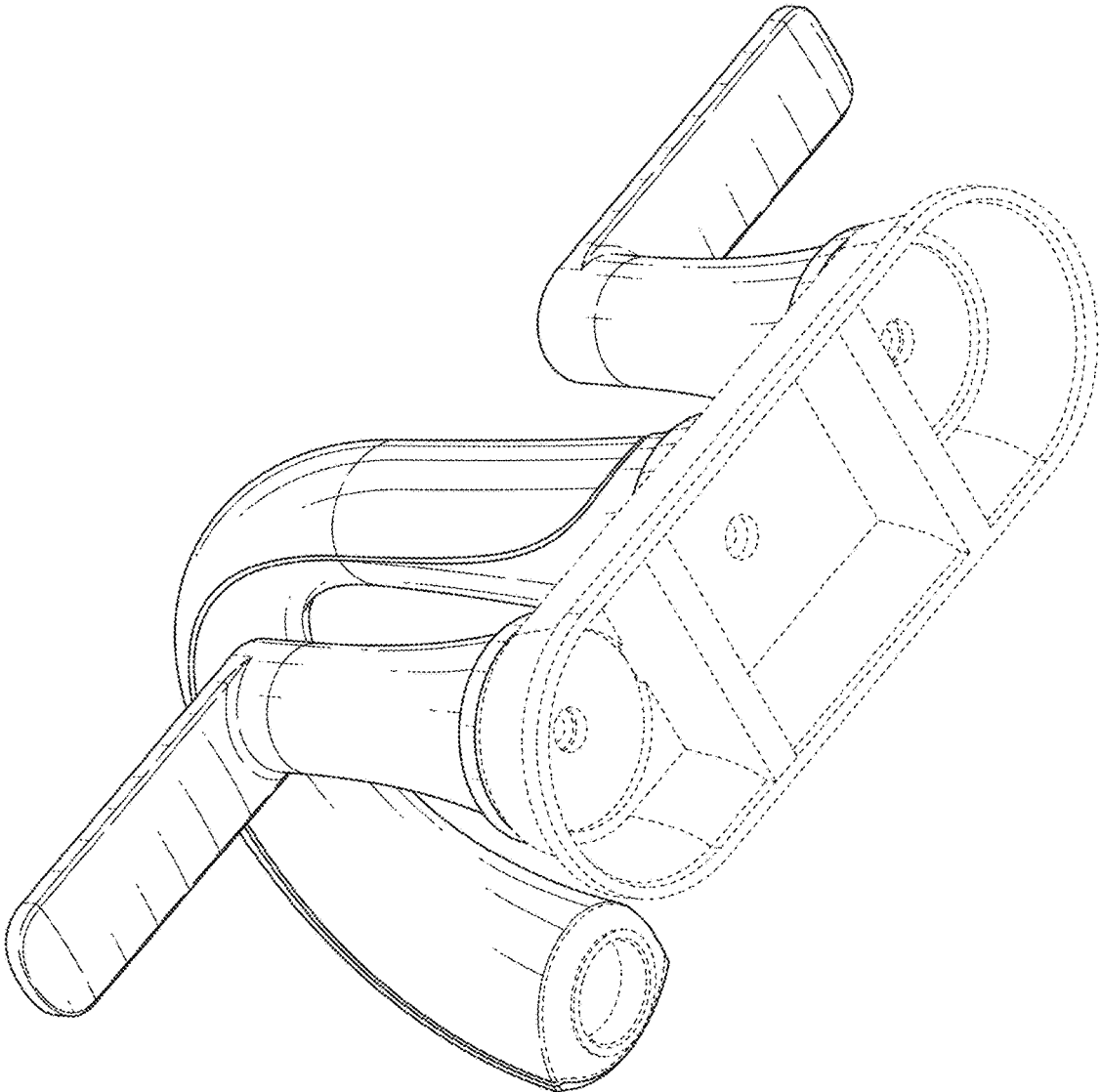


FIG. 2

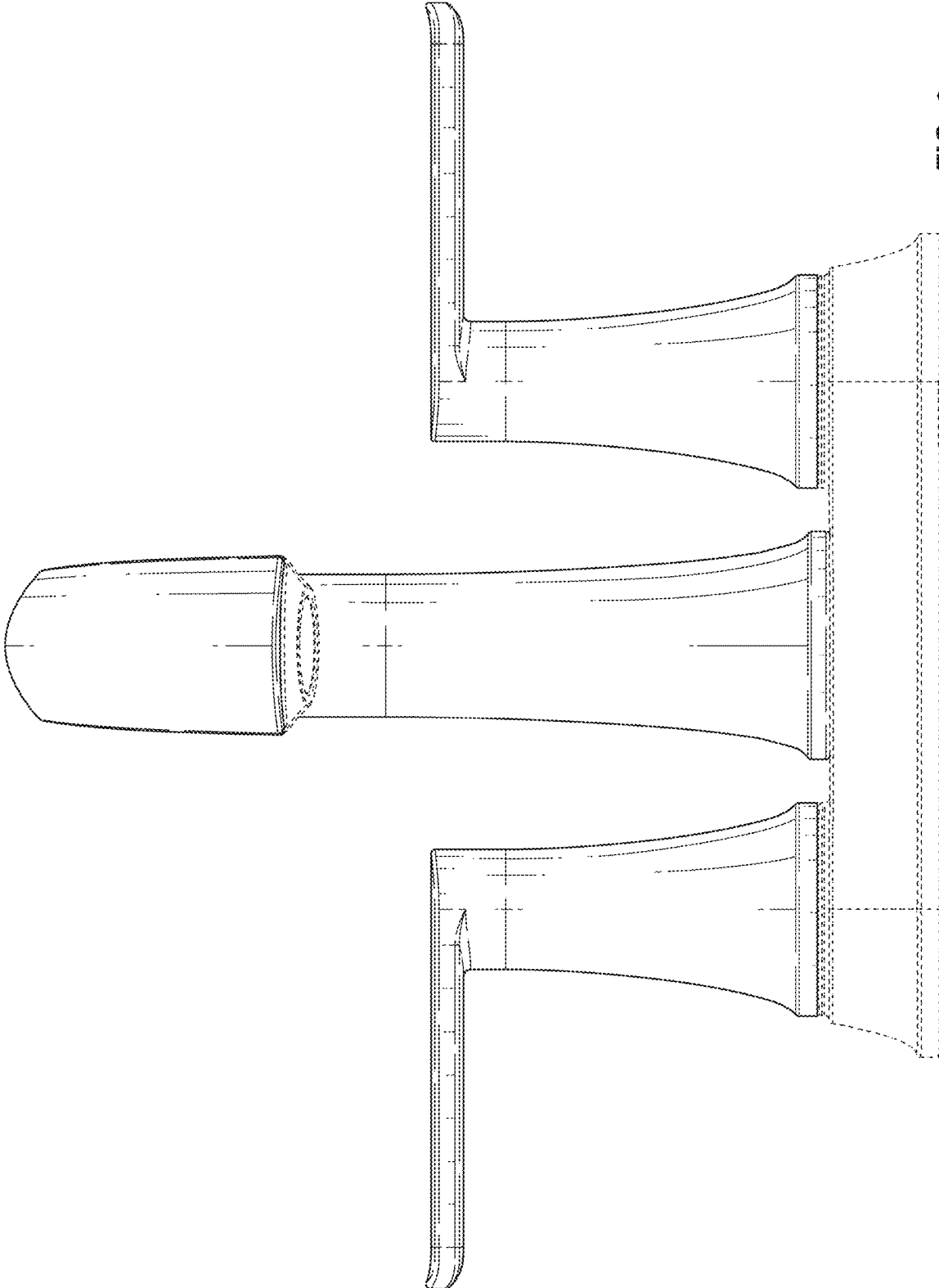


FIG. 3

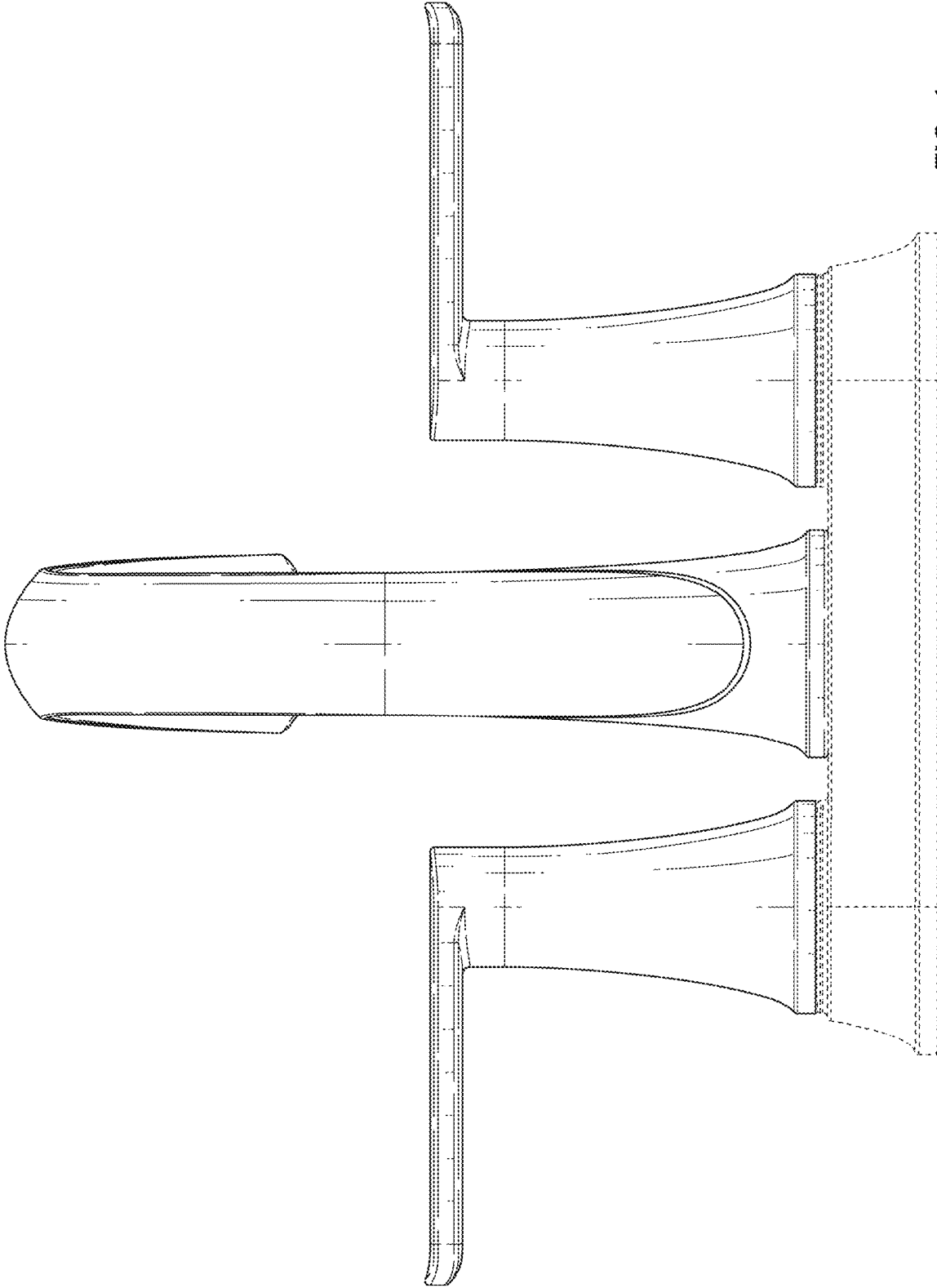


FIG. 4

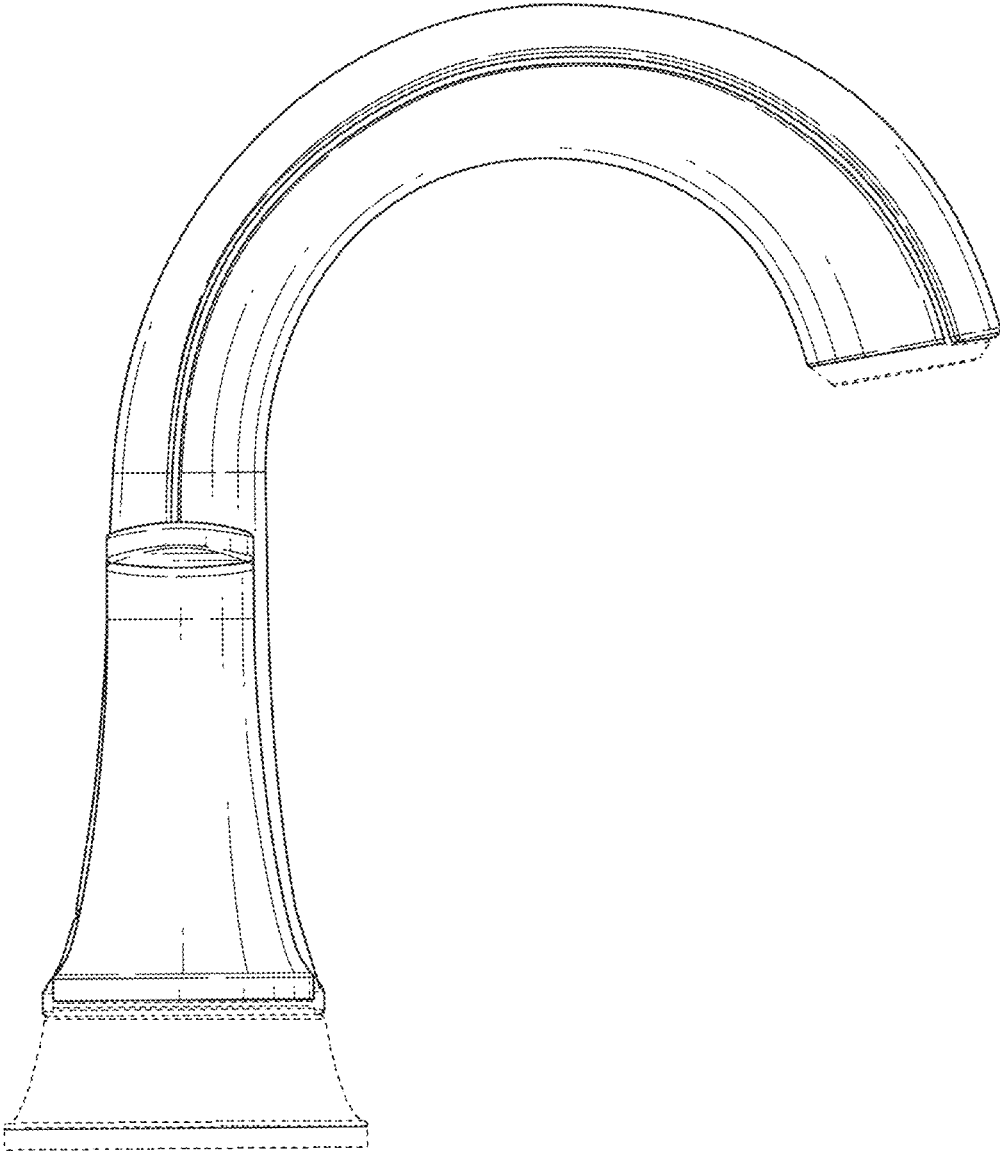


FIG. 5

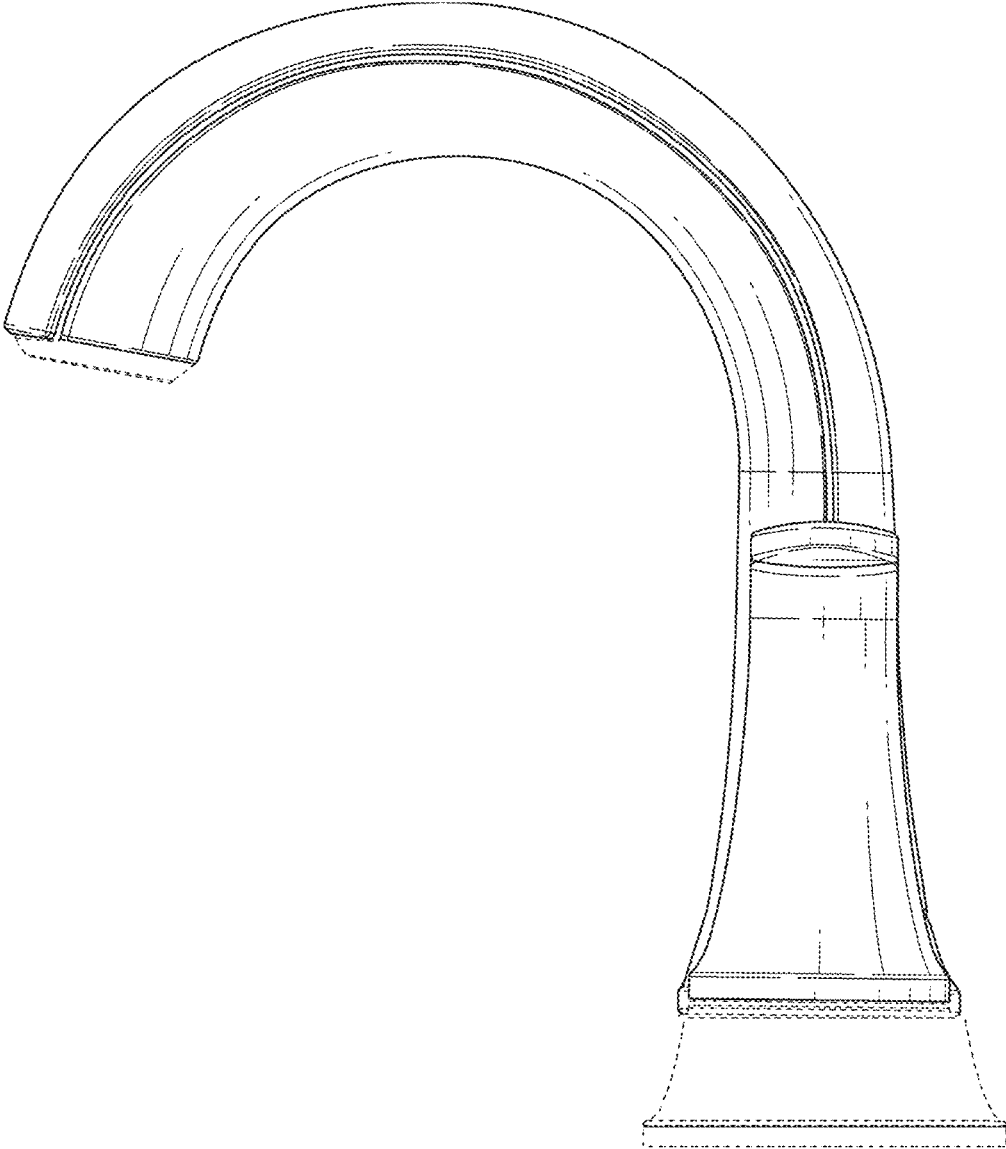


FIG. 6

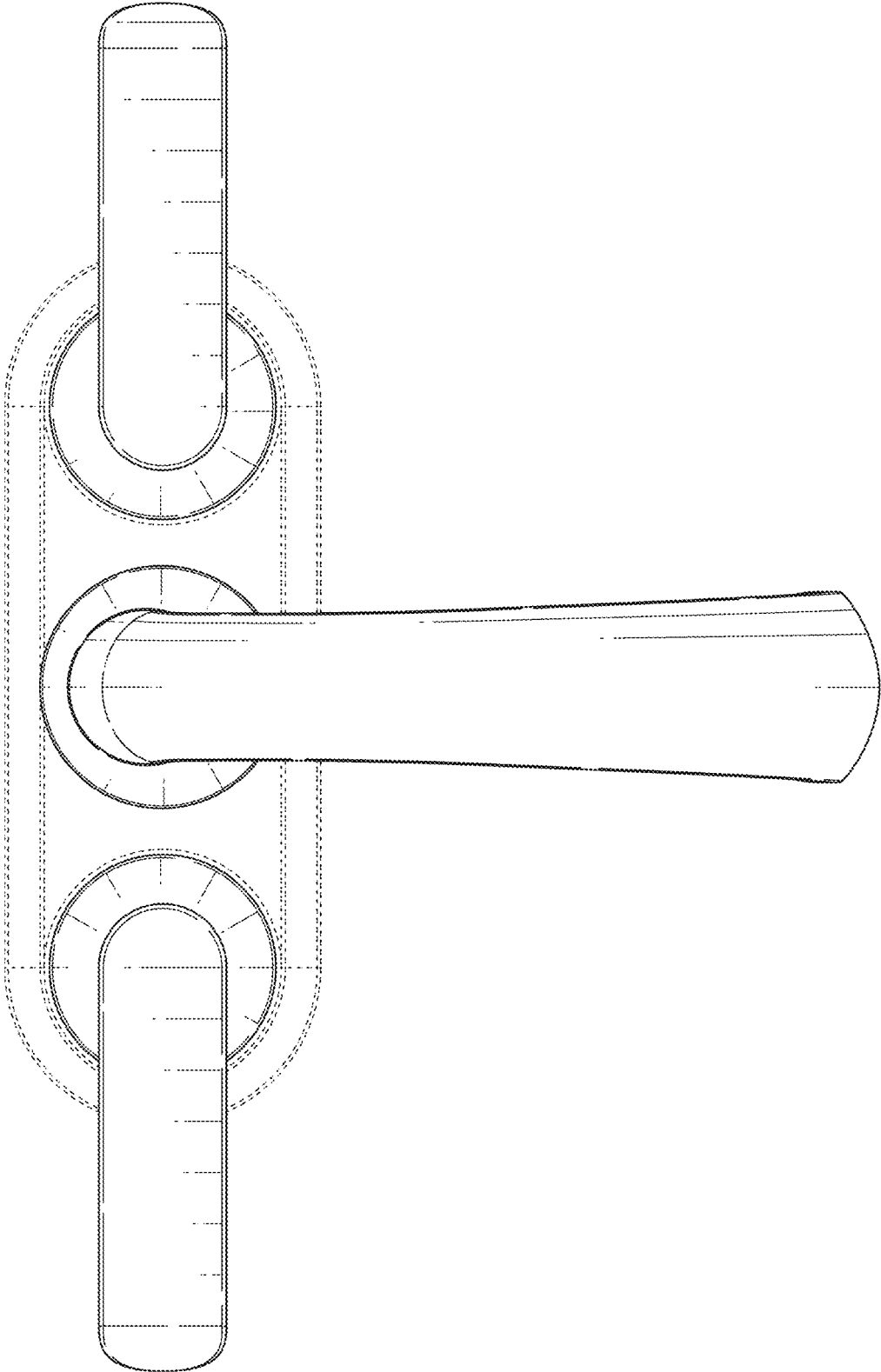


FIG. 7

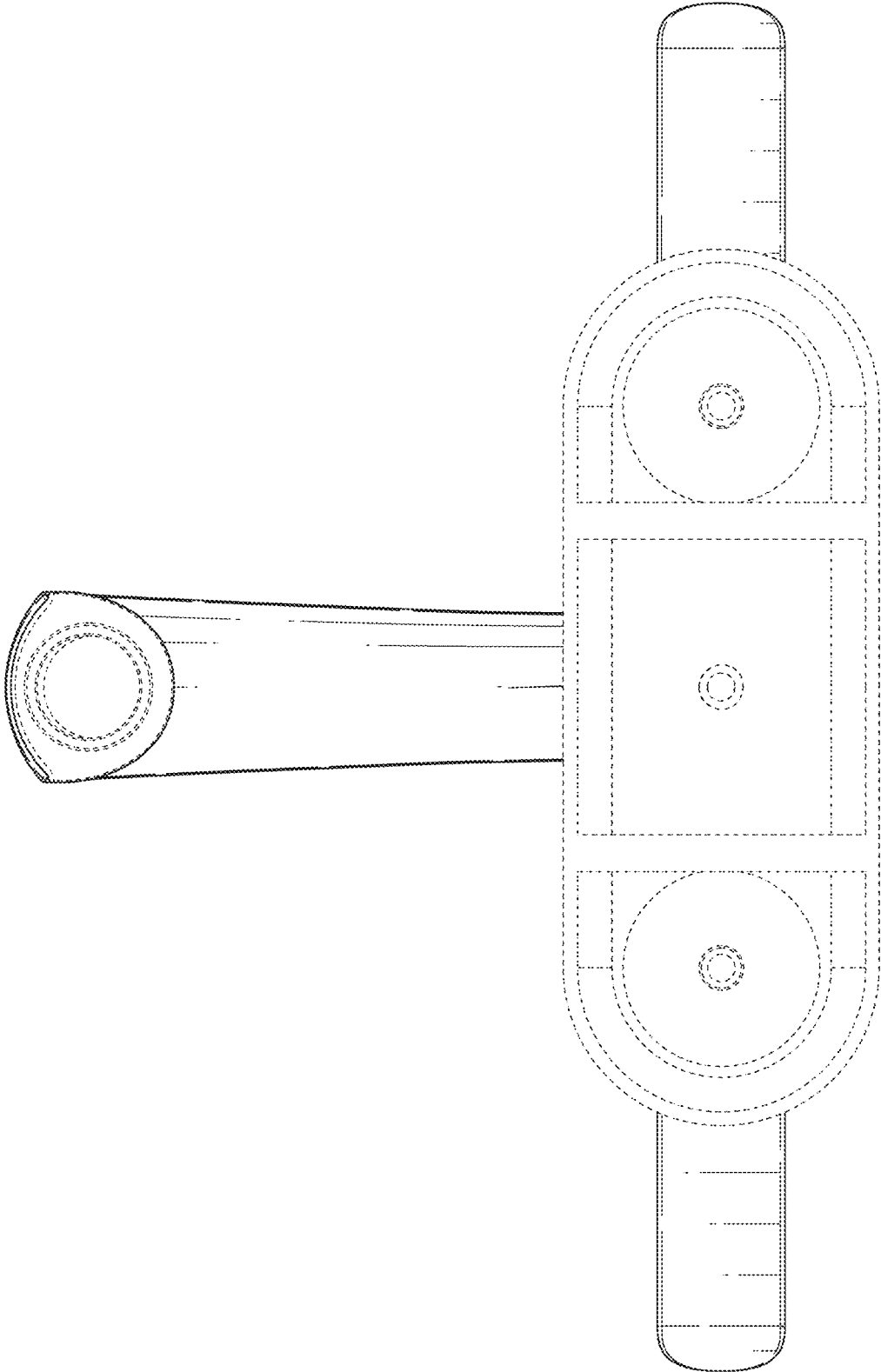


FIG. 8