



US00D433275S

United States Patent [19]

[11] Patent Number: Des. 433,275

Betras

[45] Date of Patent: ** Nov. 7, 2000

[54] DRINKING CONTAINER TOP

[75] Inventor: Joe Betras, Spartanburg, S.C.

[73] Assignee: Betras Plastics, Inc., Spartanburg, S.C.

[**] Term: 14 Years

[21] Appl. No.: 29/112,760

[22] Filed: Oct. 22, 1999

[51] LOC (7) Cl. 07-01

[52] U.S. Cl. D7/392.1

[58] Field of Search D7/392.1, 425-441, D7/510, 511, 316, 317, 321, 322, 703, 629, 396, 397, 398; D9/523-525, 529, 434-454; 220/306, 266, 254, 307, 308, 915; 222/489, 481, 478

[56] References Cited

U.S. PATENT DOCUMENTS

D. 298,147	10/1988	Tesla	D9/434
D. 433,354	2/2000	Lin	D9/434
2,056,947	10/1936	Baechle	.	
2,505,641	4/1950	Howe	.	
3,140,007	7/1964	Nettleship	.	
3,160,304	12/1964	Peacock	.	
3,189,072	6/1965	Starr	.	
3,276,617	10/1966	Rempt	.	
3,335,923	8/1967	Healy	.	
3,380,635	4/1968	Stone et al.	.	
3,893,583	7/1975	McLaren	.	
4,088,250	5/1978	Schaefer	.	
4,093,096	6/1978	Augros	.	
4,140,235	2/1979	Rausing et al.	.	
4,165,814	8/1979	Seel	.	
4,252,256	2/1981	Walsh	.	
4,387,822	6/1983	Lynn	.	
4,640,855	2/1987	St. Clair	.	
4,708,273	11/1987	Grant	.	
4,755,342	7/1988	Biermann	.	
4,756,857	7/1988	Dezio et al.	.	

4,836,396	6/1989	Ancona et al.	.
4,852,781	8/1989	Shurnick et al.	.
4,955,572	9/1990	Simmons	.
5,044,512	9/1991	Giancaspro et al.	.
5,105,768	4/1992	Johnson	.
5,135,124	8/1992	Wobser	.
5,232,137	8/1993	Devine	.
5,388,712	2/1995	Brody	.
5,628,417	5/1997	Van Halteren	.
5,676,285	10/1997	Vinarsky	.

FOREIGN PATENT DOCUMENTS

216921	1/1961	Austria	.
2086062	5/1994	Canada	.

OTHER PUBLICATIONS

Betras Plastics, Inc. 1996 Custom Imprint Price List brochure; Mar. 1996.

Primary Examiner—Antoine Duval Davis
Attorney, Agent, or Firm—Dority & Manning, P.A.

[57] CLAIM

The ornamental design for a drinking container top, as shown and described.

DESCRIPTION

FIG. 1 is a perspective view of the drinking container top according to the present invention.

FIG. 2 is a top view of the drinking container top as illustrated in FIG. 1.

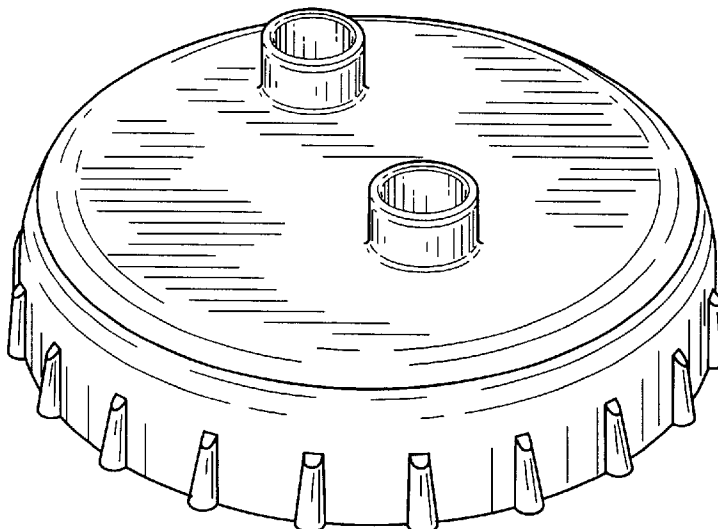
FIG. 3 is a bottom view of the drinking container top as illustrated in FIG. 1.

FIG. 4 is a side view of the drinking container top as illustrated in FIG. 1.

FIG. 5 is another side view of the drinking container top as illustrated in FIG. 1; and,

FIG. 6 is still another side view of the drinking container top as illustrated in FIG. 1.

1 Claim, 3 Drawing Sheets



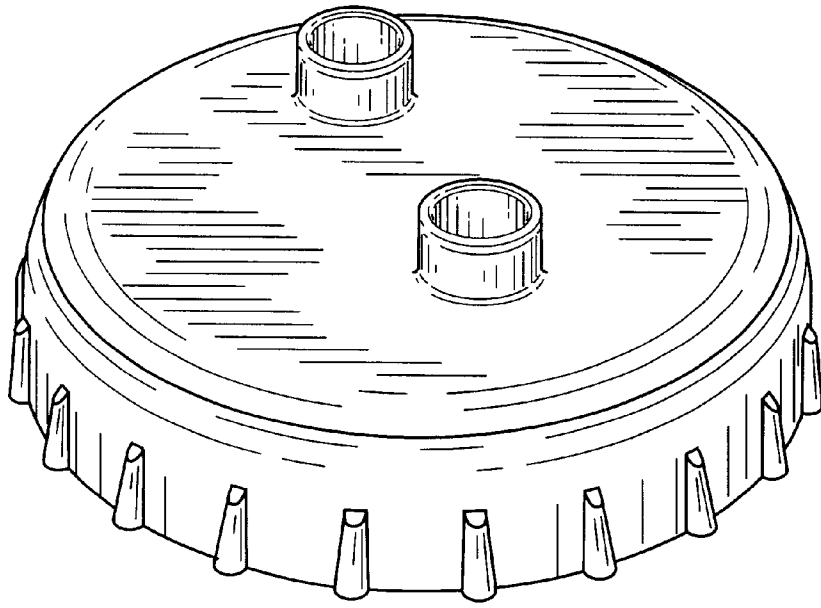


FIG. 1

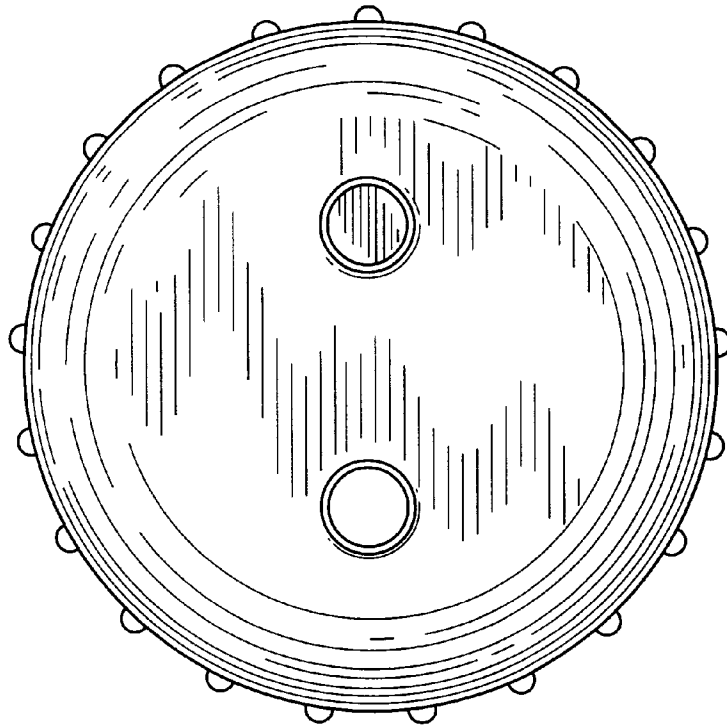


FIG. 2

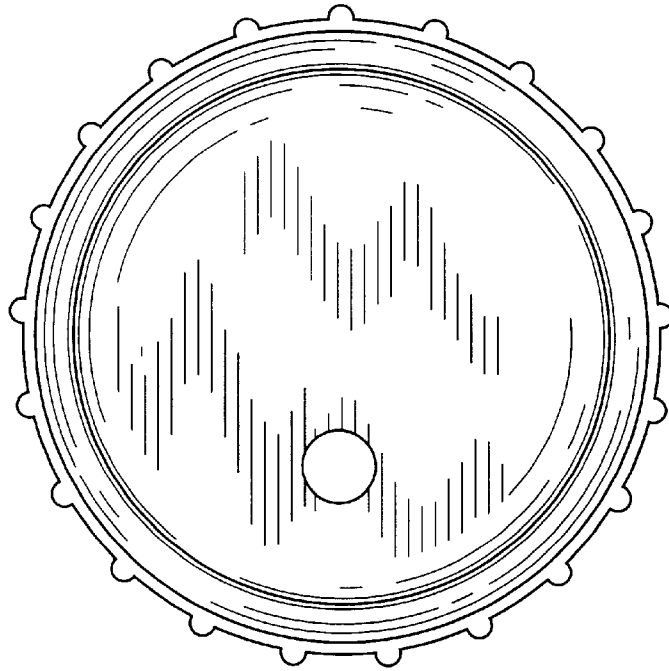


FIG. 3

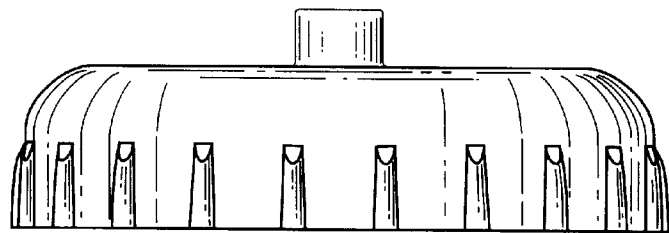


FIG. 4

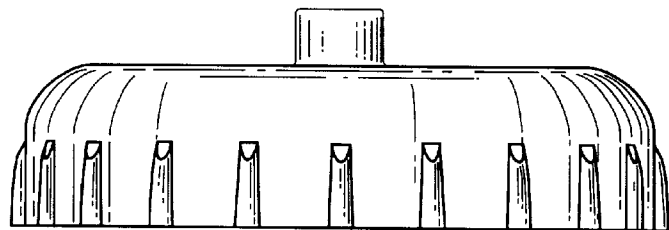


FIG. 5

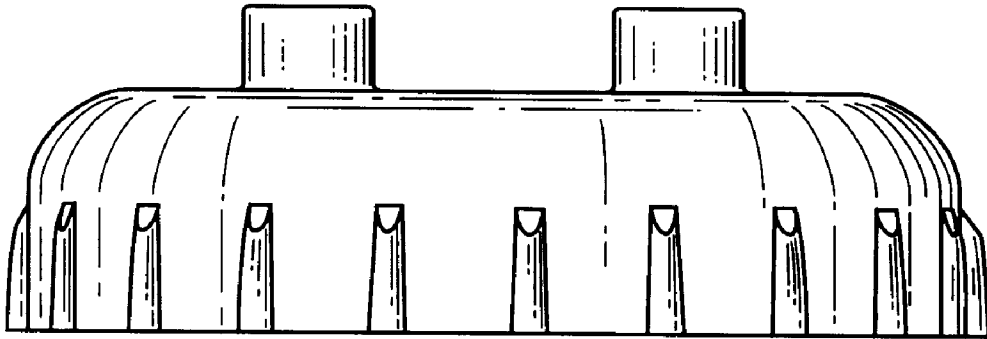


FIG. 6