



US00D935319S

(12) **United States Design Patent**
Ball et al.

(10) **Patent No.:** **US D935,319 S**

(45) **Date of Patent:** **** Nov. 9, 2021**

- (54) **BOX LID**
- (71) Applicant: **GLW & CO.**, Newport Beach, CA (US)
- (72) Inventors: **Bryan Ball**, Newport Beach, CA (US);
Summer Ball, Newport Beach, CA (US)
- (**) Term: **15 Years**
- (21) Appl. No.: **29/720,770**

D814,882 S *	4/2018	Joseph	D7/629
D821,216 S *	6/2018	Weinrich	D9/560
D828,031 S *	9/2018	Bloomfield	D3/302
D834,941 S *	12/2018	Weinrich	D9/560
D867,059 S *	11/2019	Viitala	D7/392.1
D874,875 S *	2/2020	Huang	D7/602
D878,913 S *	3/2020	Castellanos	D9/529
D895,427 S *	9/2020	Foote	D9/529
D895,429 S *	9/2020	Foote	D9/559
D896,520 S *	9/2020	Spiegel	D3/302
2007/0080077 A1 *	4/2007	Thormahlen	A45C 11/24 206/6.1
2020/0223605 A1 *	7/2020	Ball	B65D 51/245

- (22) Filed: **Jan. 15, 2020**
- (51) **LOC (13) Cl.** **09-07**
- (52) **U.S. Cl.**
USPC **D9/449**
- (58) **Field of Classification Search**
USPC D9/434, 499, 435, 452, 453, 455, 456,
D9/423-425, 449; D7/391, 392, 396.1,
D7/511, 538, 542, 601, 602, 605, 629,
D7/705, 708, 550.1, 554.3; D3/302, 903
CPC B65D 51/24; B65D 51/245; A45C 11/16
See application file for complete search history.

OTHER PUBLICATIONS

Amazon, uxcell 10pcs GLW-PG36 Nylon Threaded Cable Gland Cap Round Screw-in Cover Gray w Washer. Feb. 23, 2018. <https://www.amazon.com/uxcell-GLW-PG36-Threaded-Screw-Washer/dp/B079ZVWGLM> (Year: 2018).*

(Continued)

Primary Examiner — Darcey E Gottschalk
(74) *Attorney, Agent, or Firm* — One LLP

(56) **References Cited**

U.S. PATENT DOCUMENTS

D78,805 S *	6/1929	Burke	D9/453
D209,477 S *	12/1967	Braun	D9/420
D401,146 S *	11/1998	Srinual	D9/423
6,513,672 B1 *	2/2003	Ovadia	A45C 11/06 206/6.1
D525,532 S *	7/2006	Glass	D9/559
D607,718 S *	1/2010	Masotti	D9/424
D702,547 S *	4/2014	Akana	D9/424
D737,636 S *	9/2015	Bronwasser	D7/629
D755,633 S *	5/2016	Baughman	D9/452
D756,037 S *	5/2016	Schlatter	D28/85
D764,799 S *	8/2016	Ball	D3/302
D787,895 S *	5/2017	Kilduff	D7/629

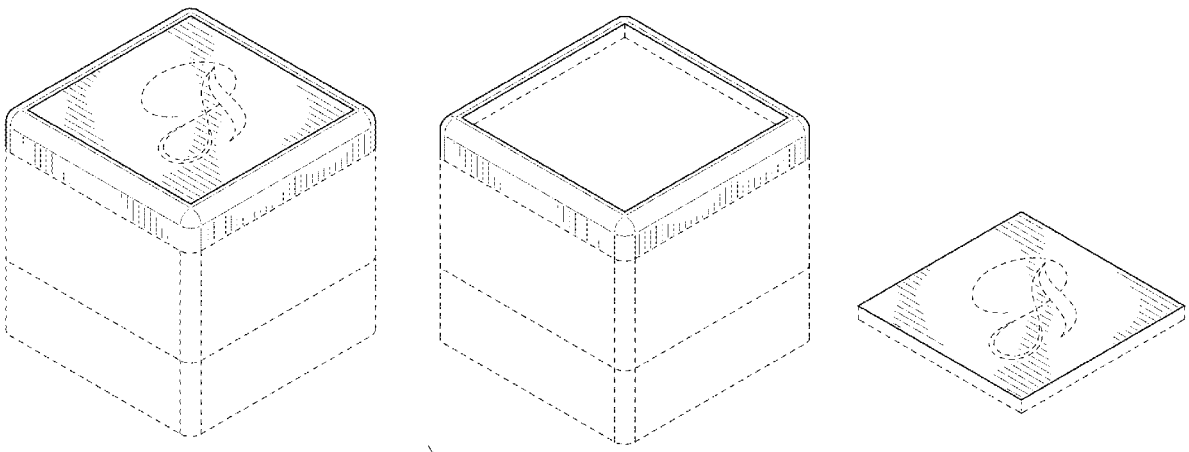
(57) **CLAIM**

The ornamental design for a box lid, as shown and described.

DESCRIPTION

FIG. 1 is a perspective view of a box lid;
FIG. 2 is an exploded view of the box lid of FIG. 1;
FIG. 3 is a top plan view of the box lid of FIG. 1;
FIG. 4 is a bottom plan of the box lid of FIG. 1; and,
FIG. 5 is a side elevational view of the box lid of FIG. 1.
The box shown in broken lines is environmental subject matter included to illustrate how the design may appear when used on a box and forms no part of the claimed design.

1 Claim, 2 Drawing Sheets



(56)

References Cited

OTHER PUBLICATIONS

Amazon. Glenor Co 28 Section Jewelry Box—2 Layer—Buckle Snap & Magnet Closure—Large Mirror—Leather Design—Black—Jewelry Organizer for Women & Girls—Holder for Earring Ring Necklace & Bracelet. Review by Karen Thomas. Nov. 25, 2018. <https://amzn.to/3j8THZ4> (Year: 2018).*

* cited by examiner

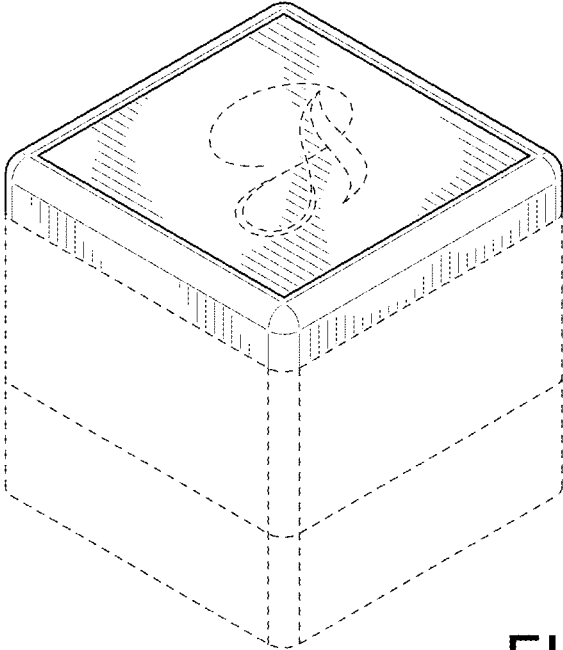


FIG. 1

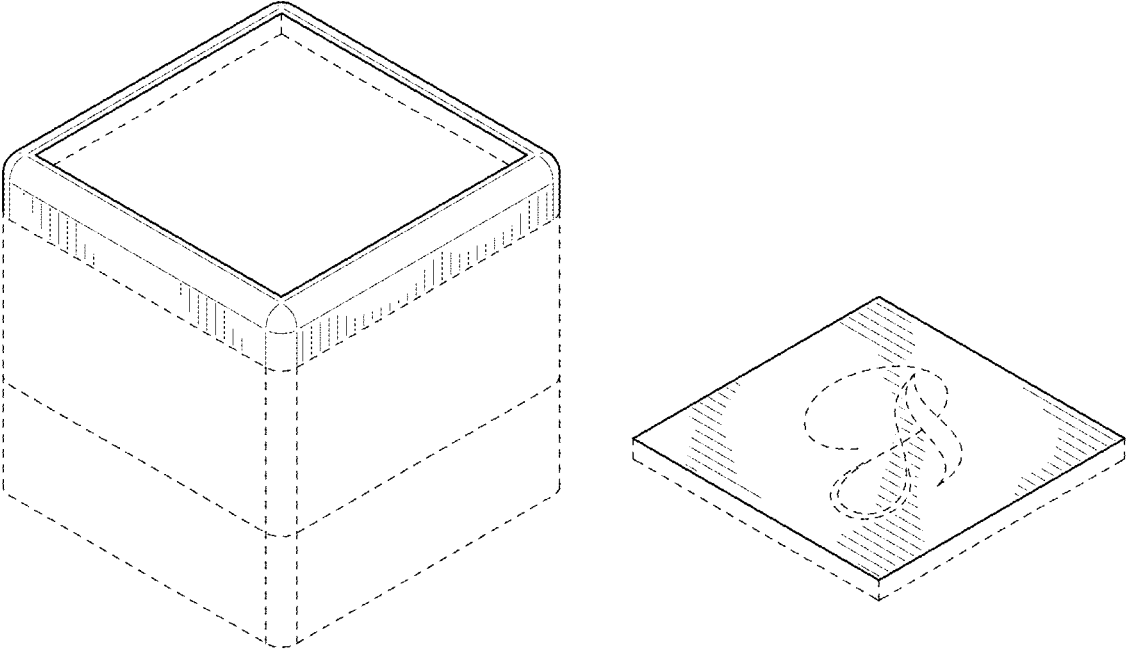


FIG. 2

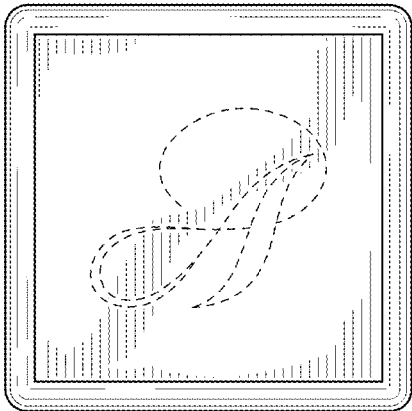


FIG. 3

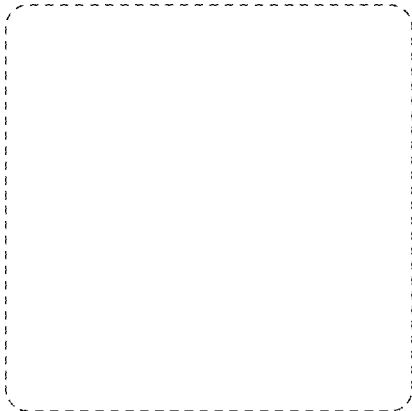


FIG. 4

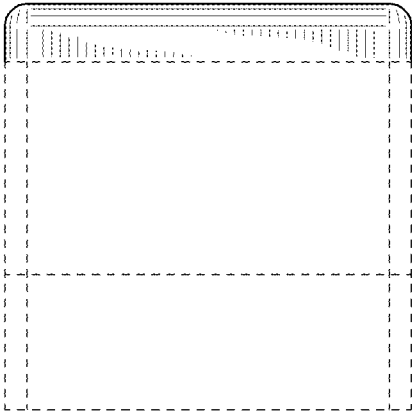


FIG. 5