

(19)
(12)

(KR)
(B1)

(51) 。 Int. Cl. 6
H04B 7/26

(45)
(11)
(24)

2001 07 12
10 - 0294044
2001 04 10

(21) 10 - 1998 - 0016104
(22) 1998 05 06

(65) 1999 - 0084385
(43) 1999 12 06

(73)

3 416

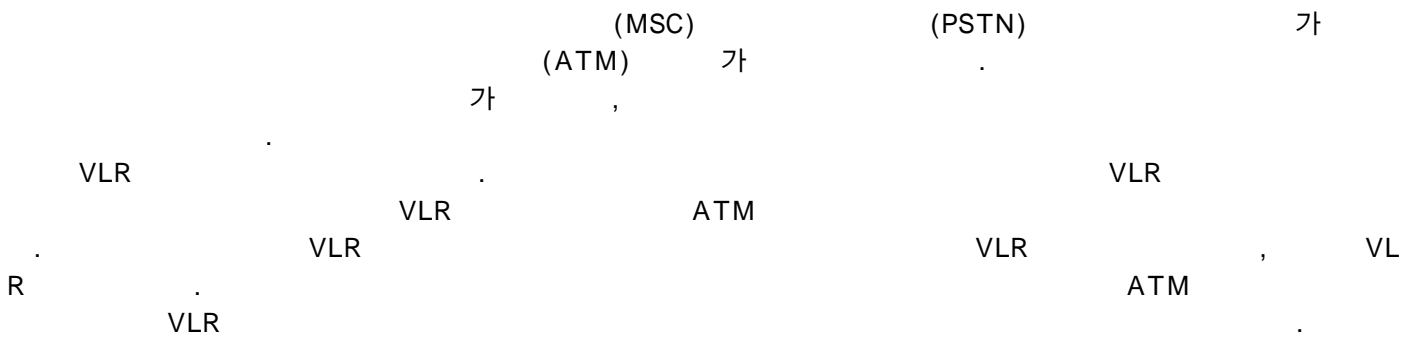
(72)

517 1206

(74)

:

(54)



6a

- 1
- 2, 3a 3b
- 4
- 5
- 6a 6b
- 7a 7b

(Wireless Mobile Communication Network) 1 (P
 STN: Public Switched Telephone Network) 가 (circuit switching)
 (MSC: Mobile Switching Center) 11 13 MSC 11
 13 (MS: Mobile Station) (BS: Base Station)
 가 (HLR: Home Location Register)
 gister) (VLR: Visitor Location Register)가

HLR 20 (call) ,
 가 가 , MSC 11 HLR 20
 가 가 (VLR) VLR 21 23
 가 VLR 21 23 , MSC 11 13
 가 HLR 20

MSC 11 13 가 가 ,
 2 3a,3b

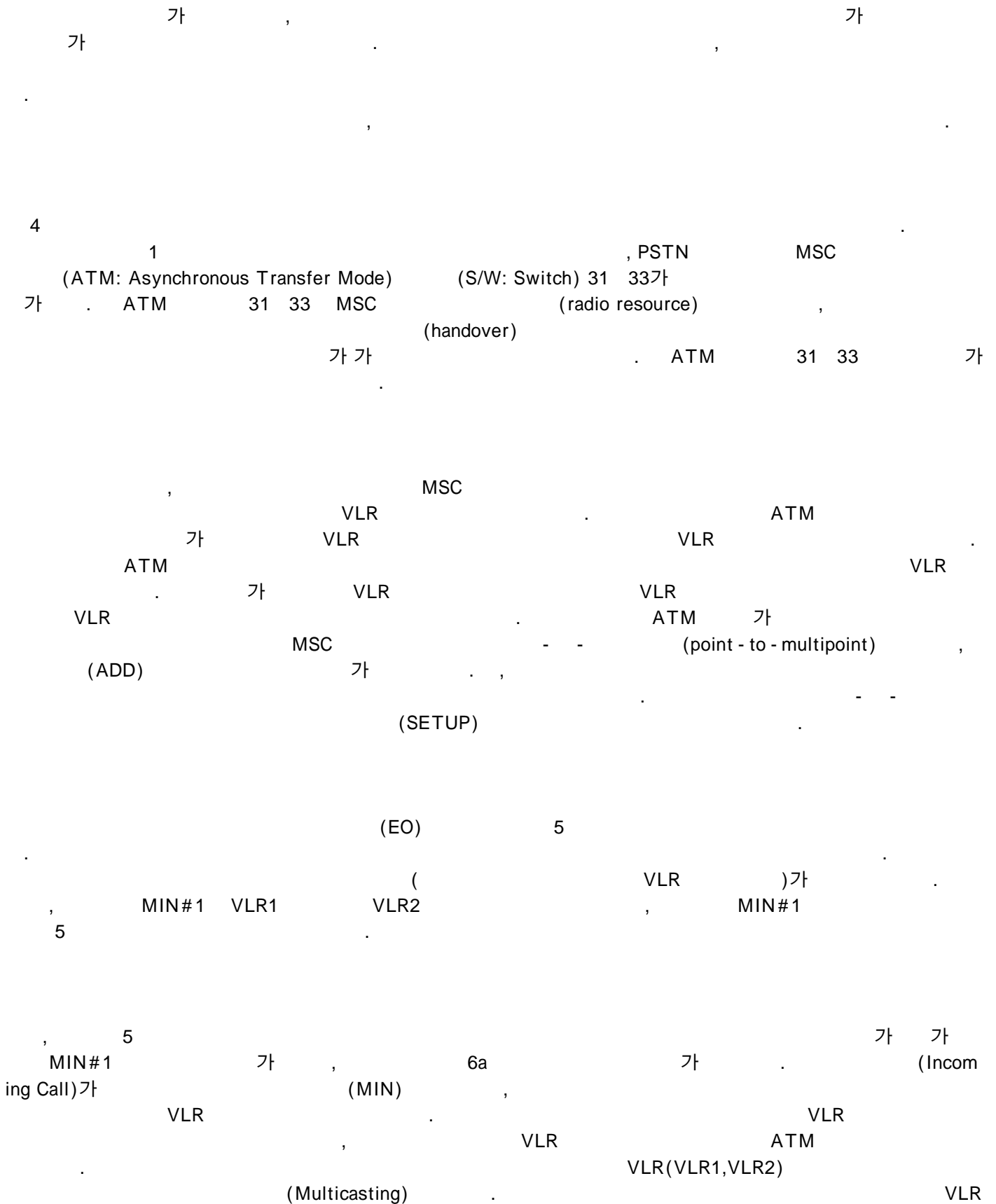
IEEE TRANSACTIONS ON VEHICULAR TECHNOLOGY, VOL. 45, NO. 1, FEBRUARY 1996
 p.p.114 116, " Comparing the PCS Location Tracking Strategies"

2 IS - 41 , PSTN (EO: End Office)

ication Number) HLR 20 가 [1], EO (MIN: Mobile Identif
 VLR [3]. VLR (query)[2]. HLR 20
 [4]. MSC , MSC VLR
 HLR [5].
 IS - 41
 (access tiome)

3a 3b " (cache scheme)"
 HLR EO 가
 (cache hit)" 3a VLR ,
 3b IS - 41 " (cache miss)"
 IS - 41

(PSTN) 가 (MSC) 가 (MIN)
 ATM (ATM) 가
 가 가 (EO) (VLR)가 PSTN (VLR)
 가 , VLR VLR
 VLR ATM VLR VLR VLR
 VLR ATM VL
 R



(VLR1,VLR2)
VLR

VLR

가

1, 2] 6b (EO) VLR(VLR1) 2 [2
 b VLR VLR VLR
 VLR VLR 2b

7a 7b
 VLR Party A Party D , Party B,C,D
 가 Party B Party C Party D
 CONECT SETUP CONECT
 CONECT_ACK t1 x 3 t1
 t1 x 2

VLR

ATM

가 가

(57)

1.

가

가

가

가

1 ,

2 ,

2

3 .

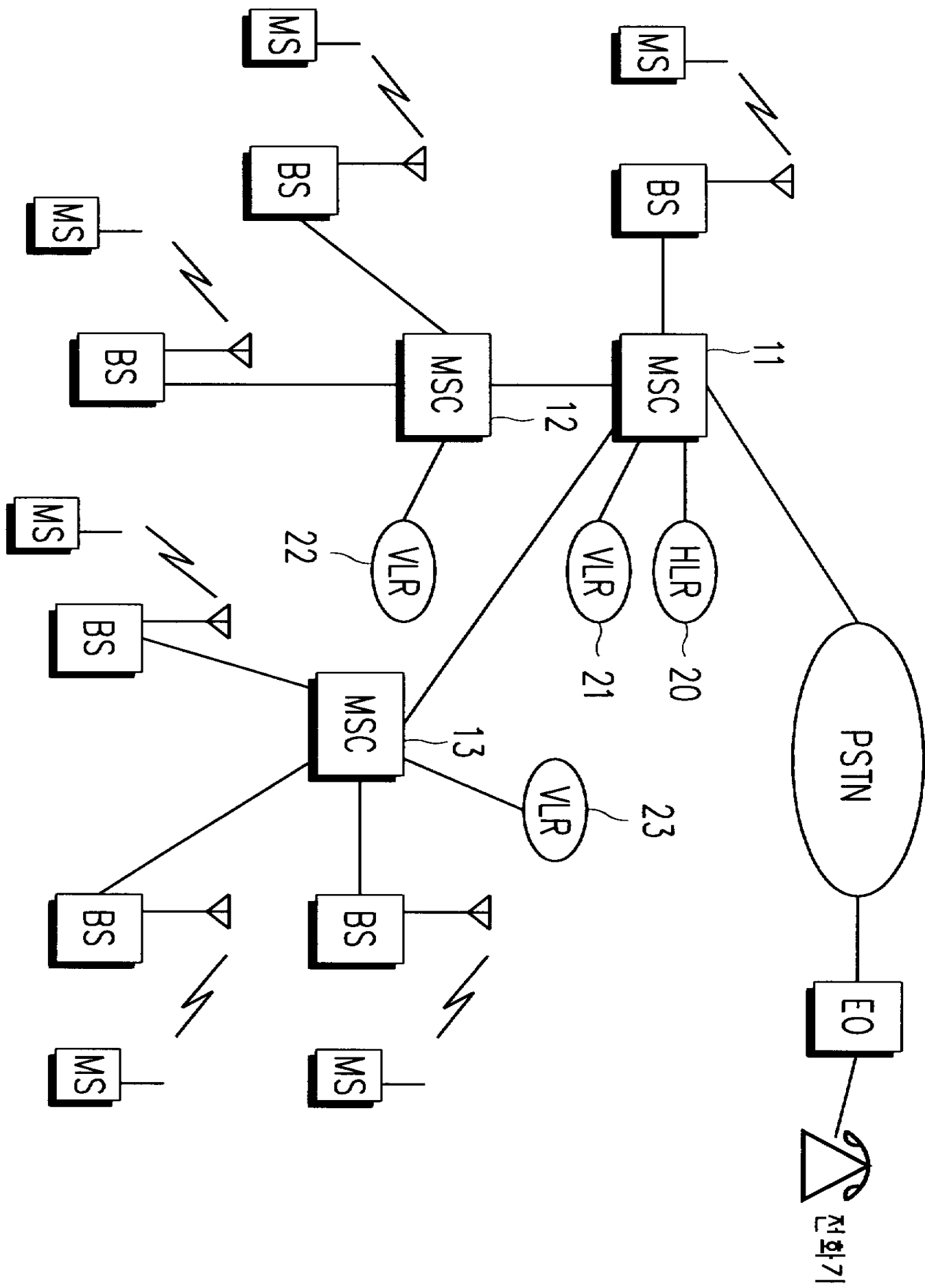
2.

, 1 ,

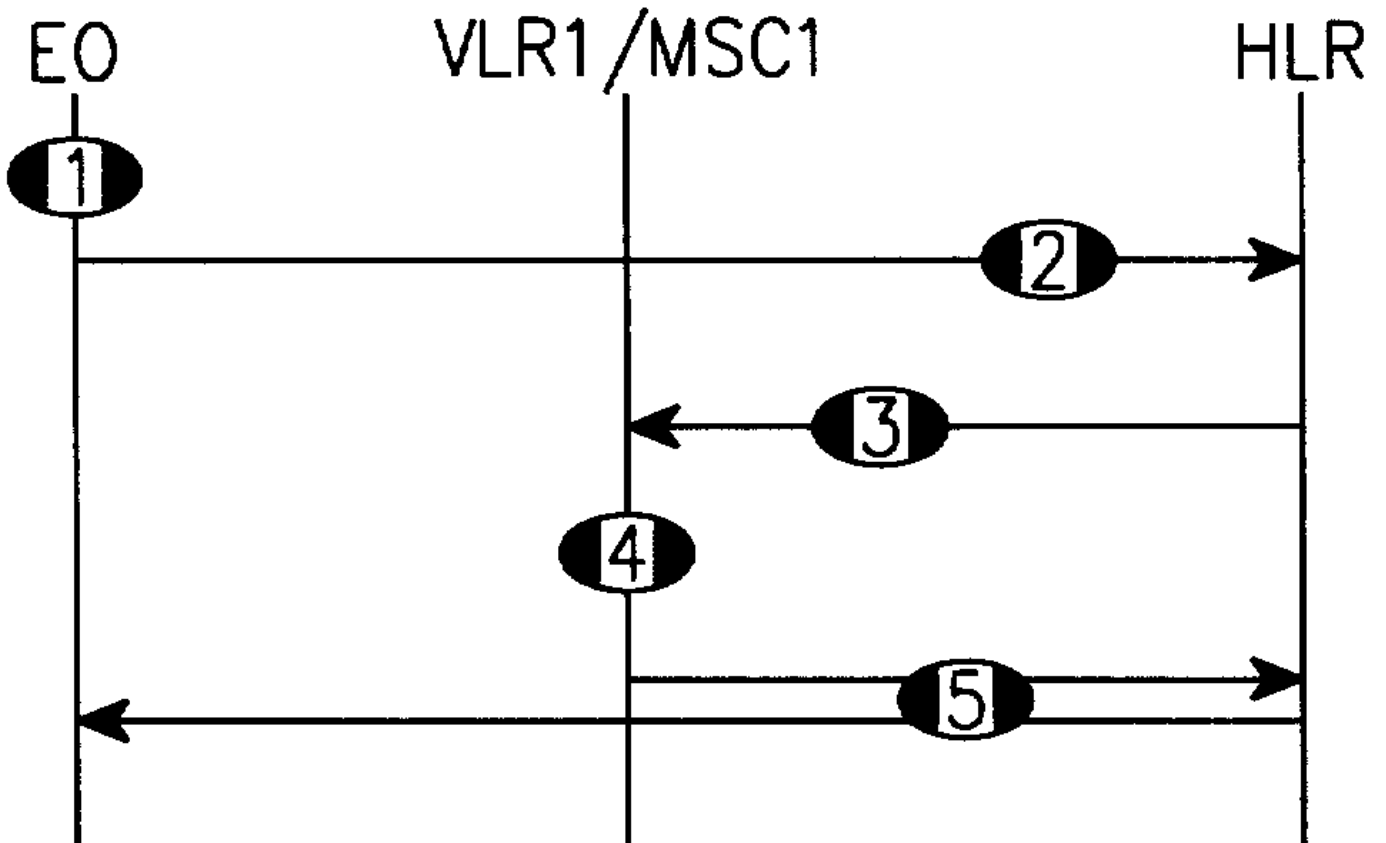
가

4 .

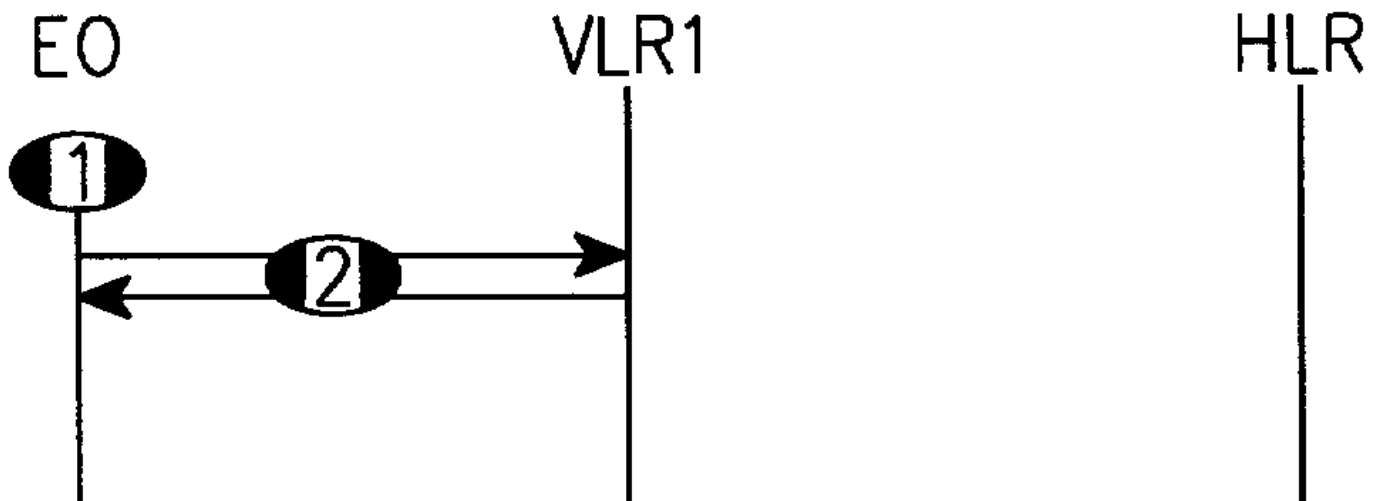
1



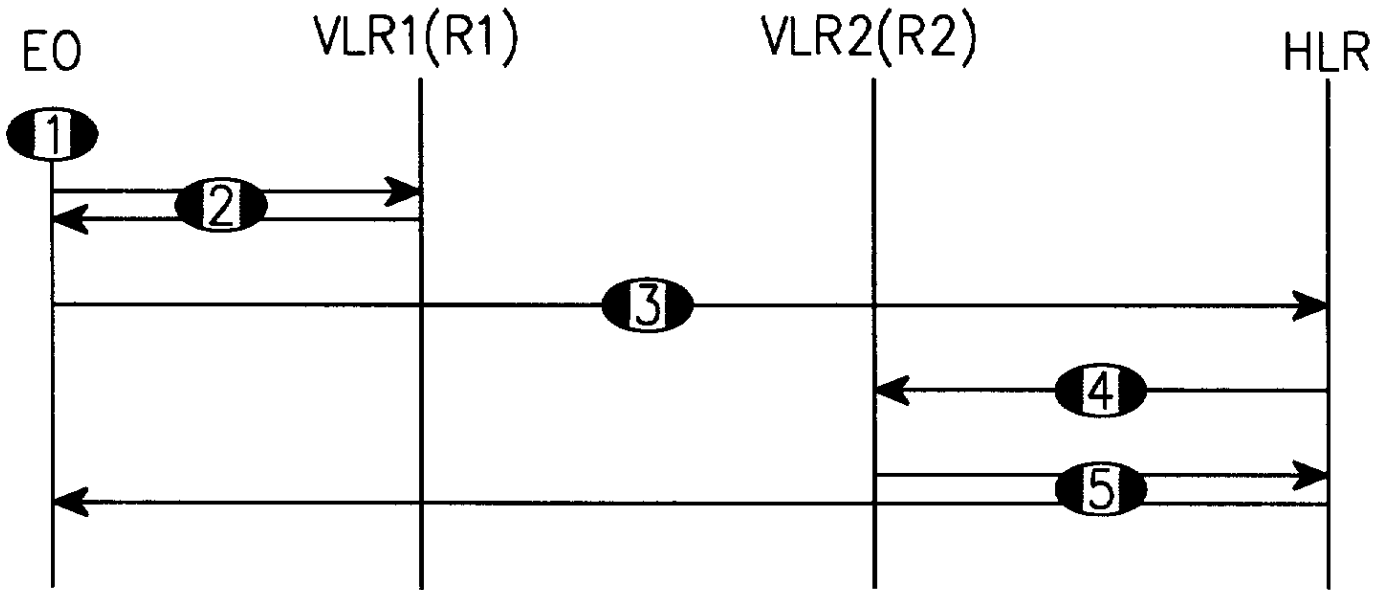
2



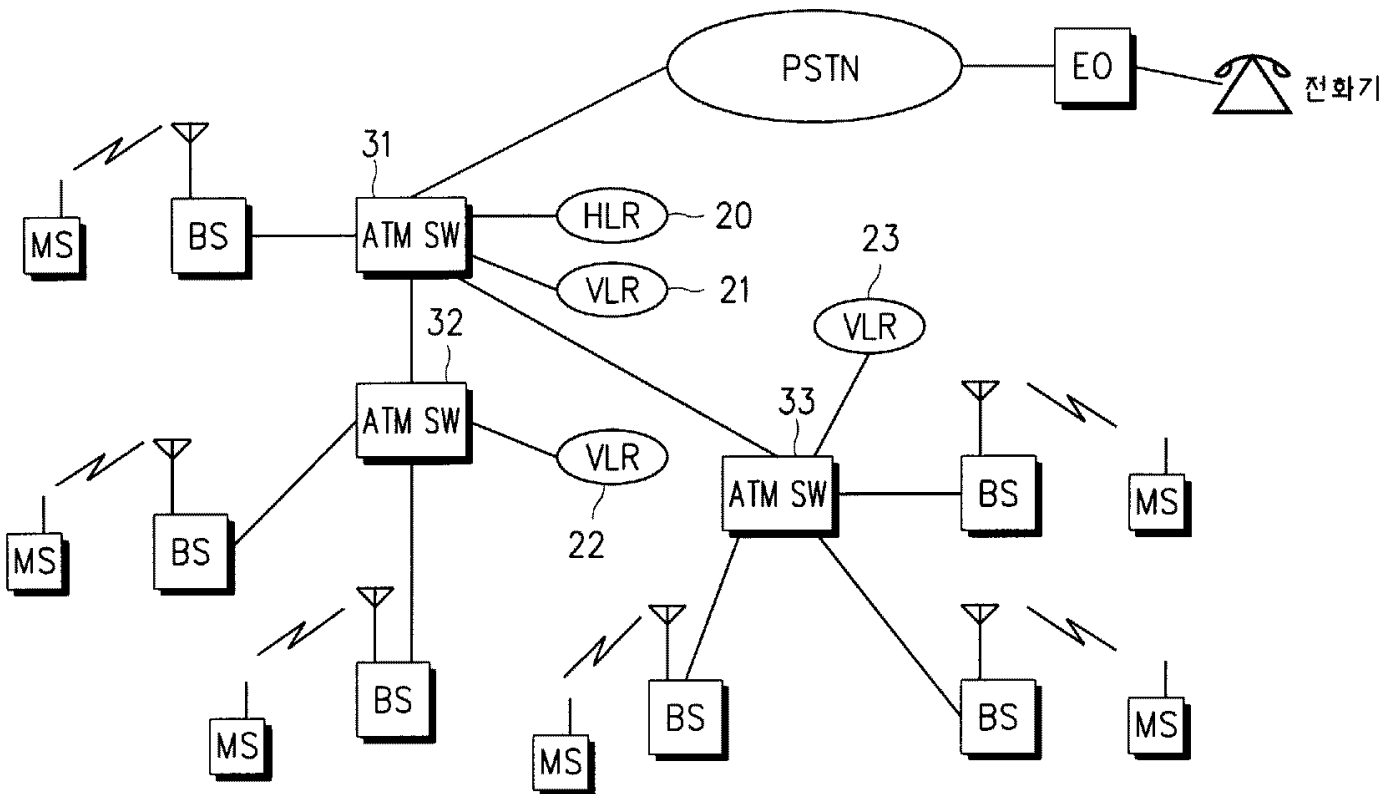
3a



3b



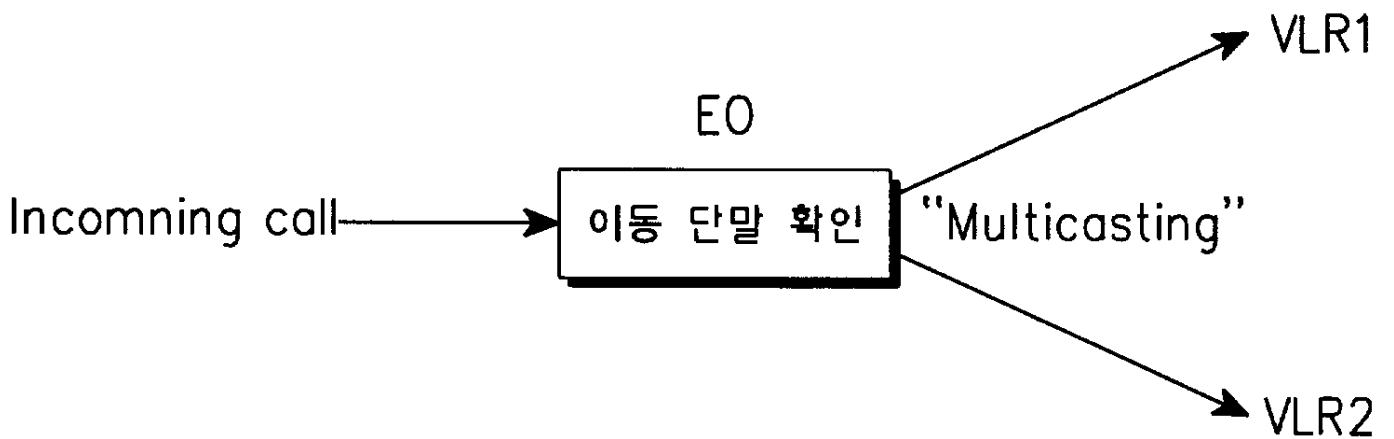
4



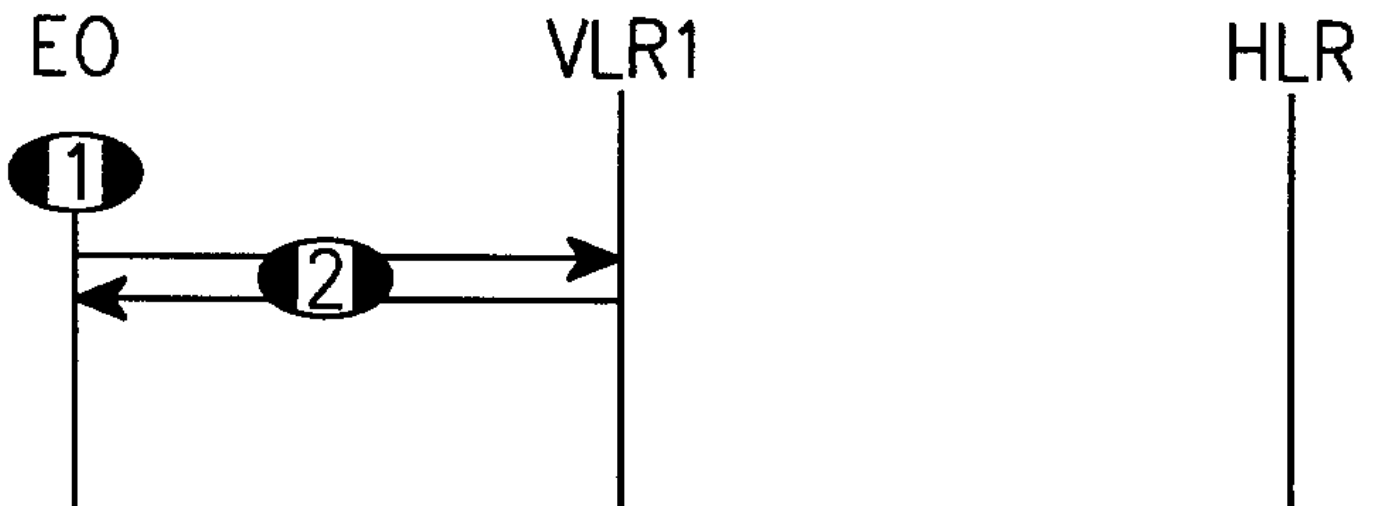
5

이동 단말	위치 등록 정보
MIN #1	VLR1 VLR2

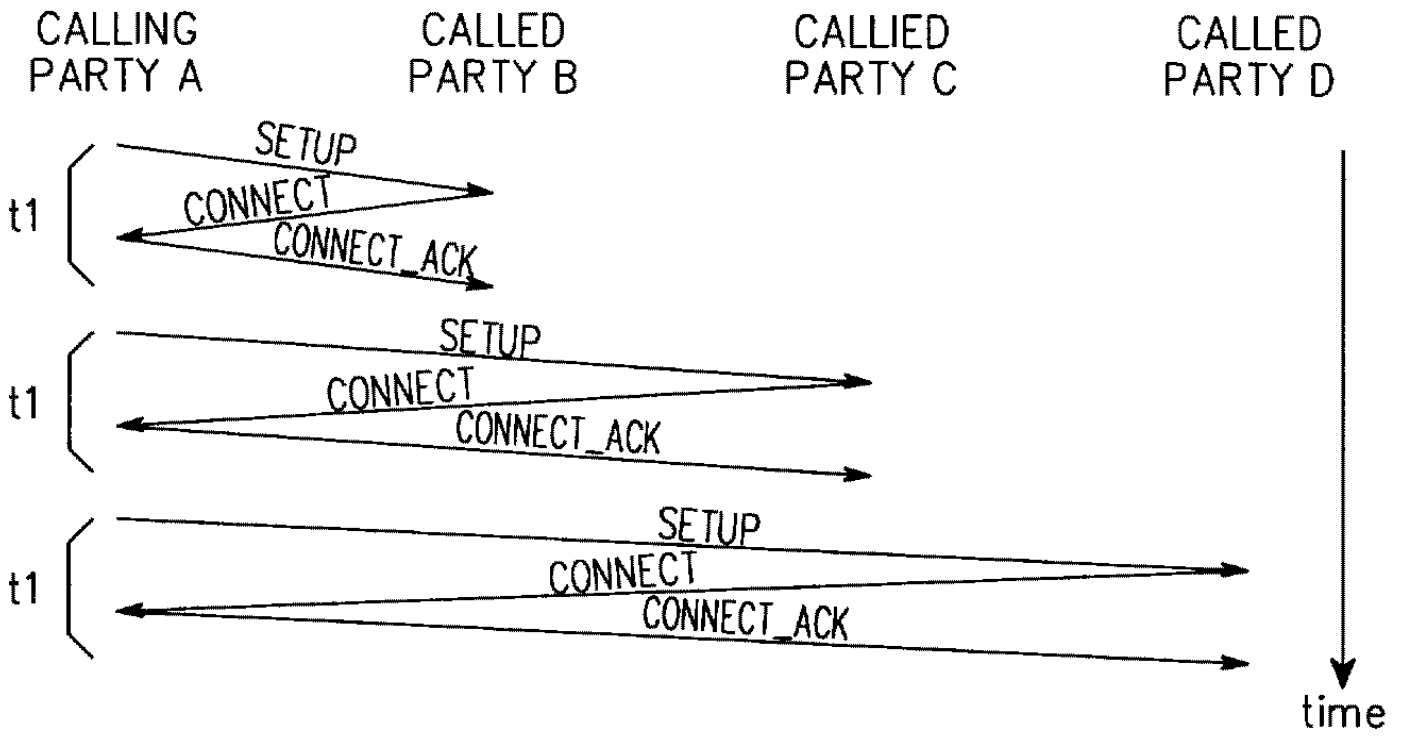
6a



6b



7a



7b

