



US00D937431S

(12) **United States Design Patent**
Li

(10) **Patent No.:** **US D937,431 S**

(45) **Date of Patent:** **** Nov. 30, 2021**

(54) **PERCUSSIVE MASSAGE TOOL**

(71) Applicant: **Bowen Li**, Yongkang (CN)

(72) Inventor: **Bowen Li**, Yongkang (CN)

(**) Term: **15 Years**

(21) Appl. No.: **29/763,920**

(22) Filed: **Dec. 26, 2020**

(51) **LOC (13) Cl.** **28-03**

(52) **U.S. Cl.**
USPC **D24/215**

(58) **Field of Classification Search**

USPC D24/215, 200, 211, 212, 213, 214, 133,
D24/188, 107, 231; D8/14.1; D28/13;
D23/266, 259, 263

CPC . A61H 1/00; A61H 1/008; A61H 9/00; A61H
9/005; A61H 9/0007; A61H 9/0021;
A61H 2015/0071; A61H 15/0078; A61H
15/0085; A61H 23/00; A61H 23/006;
A61H 2023/002; A61H 23/06; A61H
23/02; A61H 2201/0153; A61H
2201/0157; A61H 7/005; A61H 7/003

See application file for complete search history.

(56) **References Cited**

U.S. PATENT DOCUMENTS

D28,572 S *	5/1898	Rose	D23/263
D262,655 S	1/1982	Sang		
D263,872 S	4/1982	Rakocy et al.		
D263,998 S	4/1982	Oberheim		
D264,506 S	5/1982	McShirley		
D265,247 S	6/1982	MacGregor		
D317,414 S	6/1991	Lanci et al.		
D329,093 S	9/1992	Marshall et al.		
D382,646 S	8/1997	Shalvi		
D383,849 S	9/1997	Wollman		
D403,075 S	12/1998	Lie		
D405,704 S	2/1999	Gordon et al.		
D434,478 S *	11/2000	Sanders	D23/266
D435,913 S	1/2001	Harris et al.		
6,682,496 B1 *	1/2004	Pivaroff	A61H 7/005 601/101
D493,733 S	8/2004	Chen		

(Continued)

OTHER PUBLICATIONS

Mizzuco Mini Massage Gun. Date: May 18, 2020. [online]. [Site visited Jun. 3, 2021], Available from Internet URL: <https://www.amazon.ca/dp/B08MBY25DK/> (Year: 2020).*

(Continued)

Primary Examiner — Susan Bennett Hattan

Assistant Examiner — Landon Thomas Cassell

(74) *Attorney, Agent, or Firm* — Thomas W. Galvani,
P.C.; Thomas W. Galvani

(57) **CLAIM**

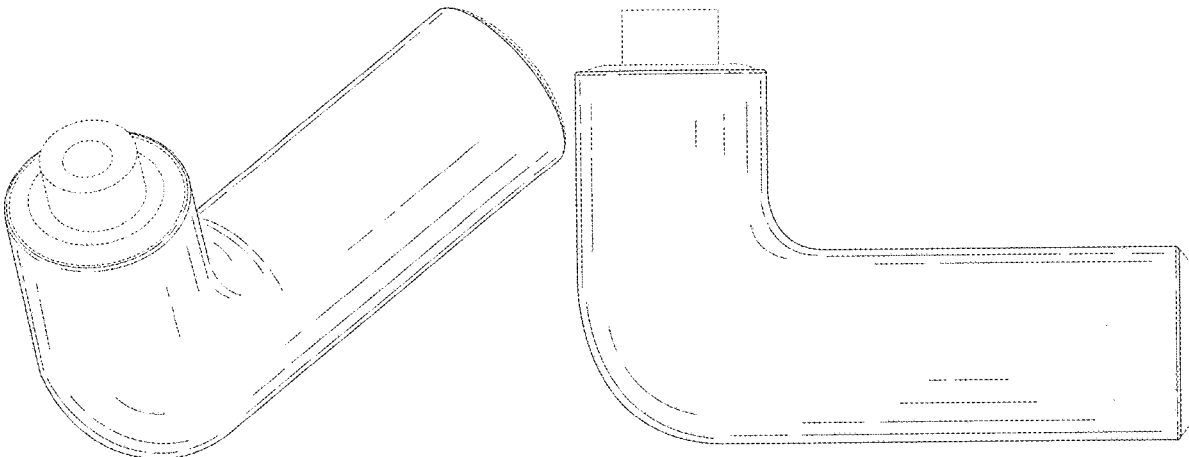
The ornamental design for a percussive massage tool, as shown and described.

DESCRIPTION

FIG. 1 is a top front perspective view of a percussive massage tool shown in accordance with my new design; FIG. 2 is a bottom front perspective view of the percussive massage tool shown in FIG. 1; FIG. 3 is a top rear perspective view of the percussive massage tool shown in FIG. 1; FIG. 4 is a bottom rear perspective view of the percussive massage tool shown in FIG. 1; FIG. 5 is a front elevation view of the percussive massage tool shown in FIG. 1; FIG. 6 is a rear elevation view of the percussive massage tool shown in FIG. 1; FIG. 7 is a right side elevation view of the percussive massage tool shown in FIG. 1; FIG. 8 is a left side elevation view of the percussive massage tool shown in FIG. 1; FIG. 9 is a top plan view of the percussive massage tool shown in FIG. 1; and, FIG. 10 is a bottom plan view of the percussive massage tool shown in FIG. 1.

The features shown in broken lines are for the purposes of showing portions of the article which form no part of the claimed design.

1 Claim, 10 Drawing Sheets



(56)

References Cited

U.S. PATENT DOCUMENTS

D583,263	S	12/2008	Sebban	
D606,247	S *	12/2009	Yu	D28/13
D609,817	S *	2/2010	Piller	D24/215
D628,304	S	11/2010	Aulwes et al.	
D629,118	S	12/2010	Yeo	
D666,928	S	9/2012	Elrod	
D756,489	S *	5/2016	Bahler	D23/257
D783,786	S *	4/2017	Madireddi	D23/266
D837,395	S	1/2019	Gan	
D843,656	S *	3/2019	Zhang	D28/44.1
D847,360	S	4/2019	Levi	
D862,721	S	10/2019	Friend	
D874,015	S	1/2020	Marton et al.	
D886,317	S	6/2020	Marton et al.	
D895,829	S	9/2020	Hu	
D897,109	S	9/2020	Blank	
D897,110	S	9/2020	Blank	
D898,209	S *	10/2020	Xu	D24/214
D899,615	S	10/2020	Lin	
D905,208	S *	12/2020	Loveridge	D23/266
2020/0085168	A1 *	3/2020	Pang	F16M 13/04
2020/0390644	A1 *	12/2020	Yang	G16H 20/30
2020/0390646	A1 *	12/2020	Joh	A61N 7/00

OTHER PUBLICATIONS

Percussion Massage Gun. Date: Sep. 9, 2020. [online]. [Site visited Jun. 3, 2021], Available from Internet URL: <https://www.amazon.ca/dp/B08C2N55V6?th=1> (Year: 2020).*

Massage Tools. (Design—© Questel) orbit.com. [Online PDF compilation of references selected by examiner] 38 pgs. Print Dates Range May 5, 2020-Nov. 17, 2020 [Retrieved Jun. 7, 2021] <https://www.orbit.com/export/UCZAH96B/pdf4/09e588d1-c1fb-4553-8502-40ac005988a5-160624.pdf> (Year: 2021).*

Amazon.com—ABASK Massage Gun (https://www.amazon.com/ABASK-Massage-Percussion-Massager-Settings/dp/B083TVJ58F/ref=asc_df_B083TVJ58F/?tag=hyprod-20&linkCode=df0&hvadid=459565948985&hvpos=&hvnetw=g&hvrand=17551793660638056955&hvpone=&hvptwo=&hvqmt=&hvdev=c&hvdvcmdl=&hvlocint=&hvlocphy=9007754&hvtargid=pla-972632389124&psc=1).

Arriste.com=Medik Percussive Massager (<https://www.arriste.com/products/medik-percussion-massage-device>).

Chirocity.com—Erchonia Percussor Basic Package (<https://chirocity.com/activator-instruments/erchonia-adjusting-instruments/erchonia-percussor-basic-package/>).

Exogun.com—ExoGun DreamPro (https://exogun.com/products/dreampro?variant=24131349020753¤cy=USD&utm_source=google&utm_medium=surfaces&utm_campaign=feed_clicks&utm_content=surfaces_across_google&gclid=EALalQobChMlzovhjabT7QIVgaGGChIliApeEakYBCABEgJX-fD_BwE).

Geekyviews.com—Deep Tissue Percussion Electric Muscle Massage Gun (<https://www.geekyviews.com/product/electric-muscle-massage-gun-deep-tissue-massager-therapy-gun-exercising-muscle-pain-muscle-percussor-with-bag-6-speed-6-heads/>).

Geekyviews.com—Deep Tissue Percussion Electric Muscle Massage Gun (<https://www.geekyviews.com/product/electric-muscle-massage-gun-deep-tissue-massager-therapy-gun-exercising-muscle-pain-muscle-percussor-with-bag-6-speed-6-heads/>).

* cited by examiner

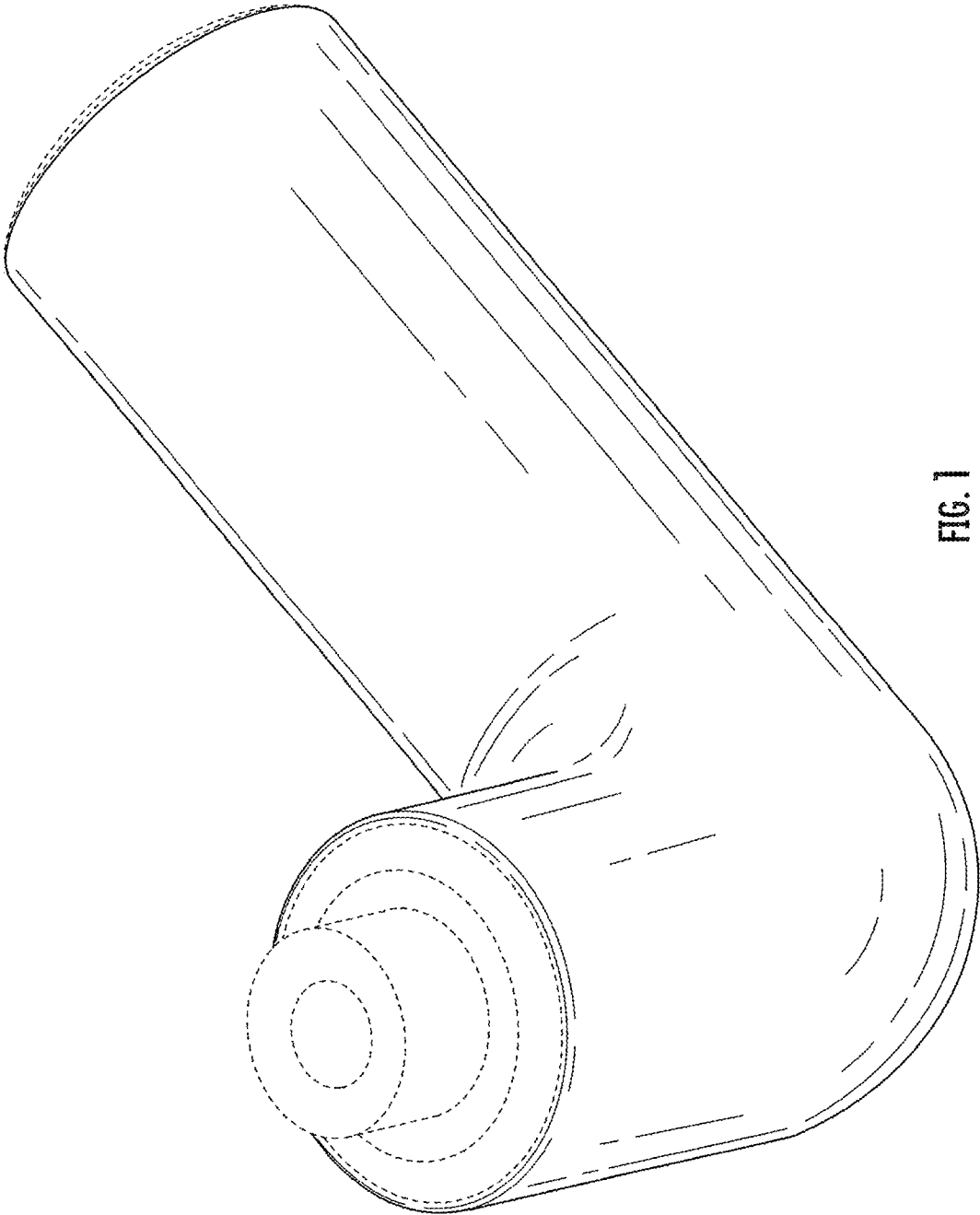


FIG. 1

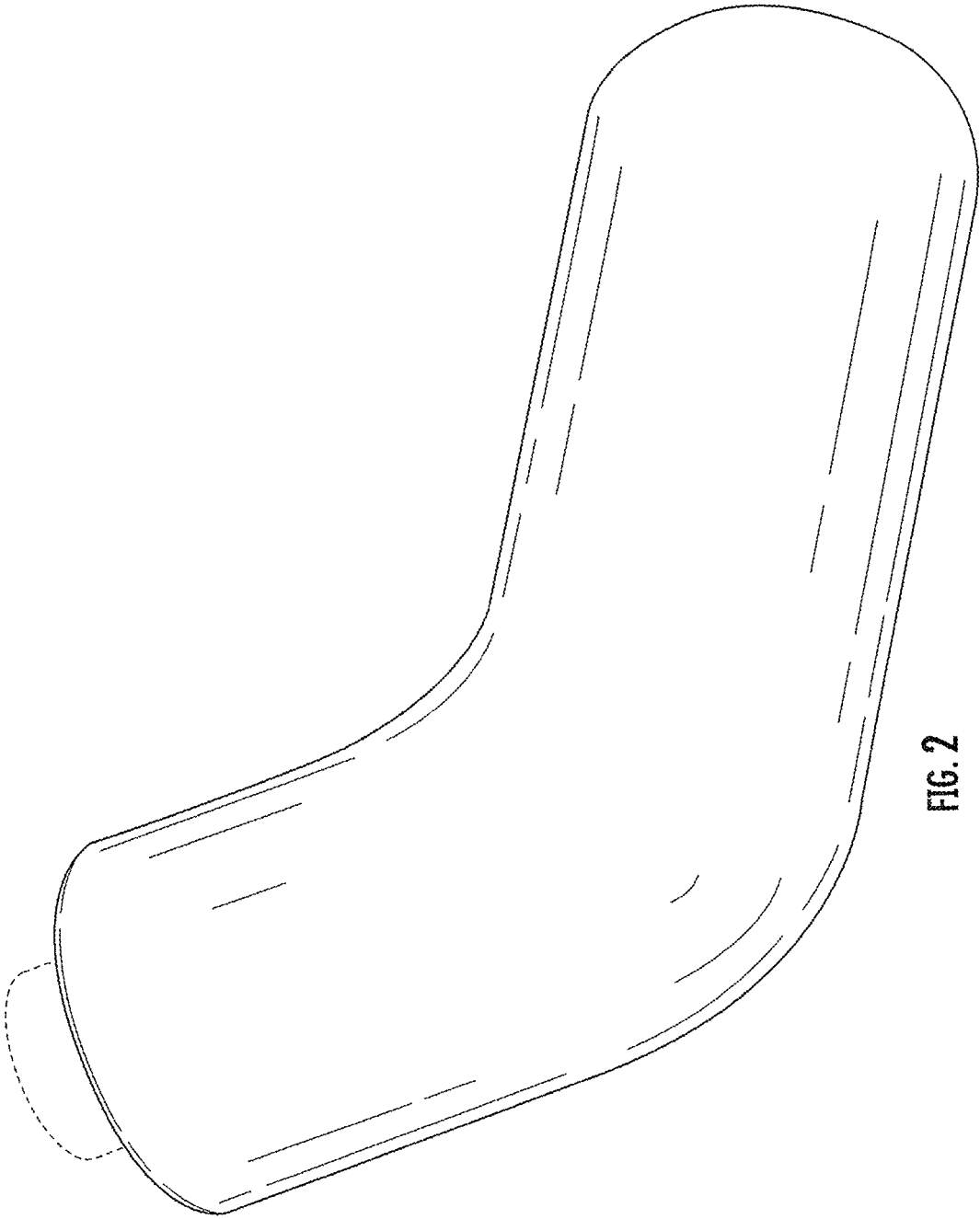


FIG. 2

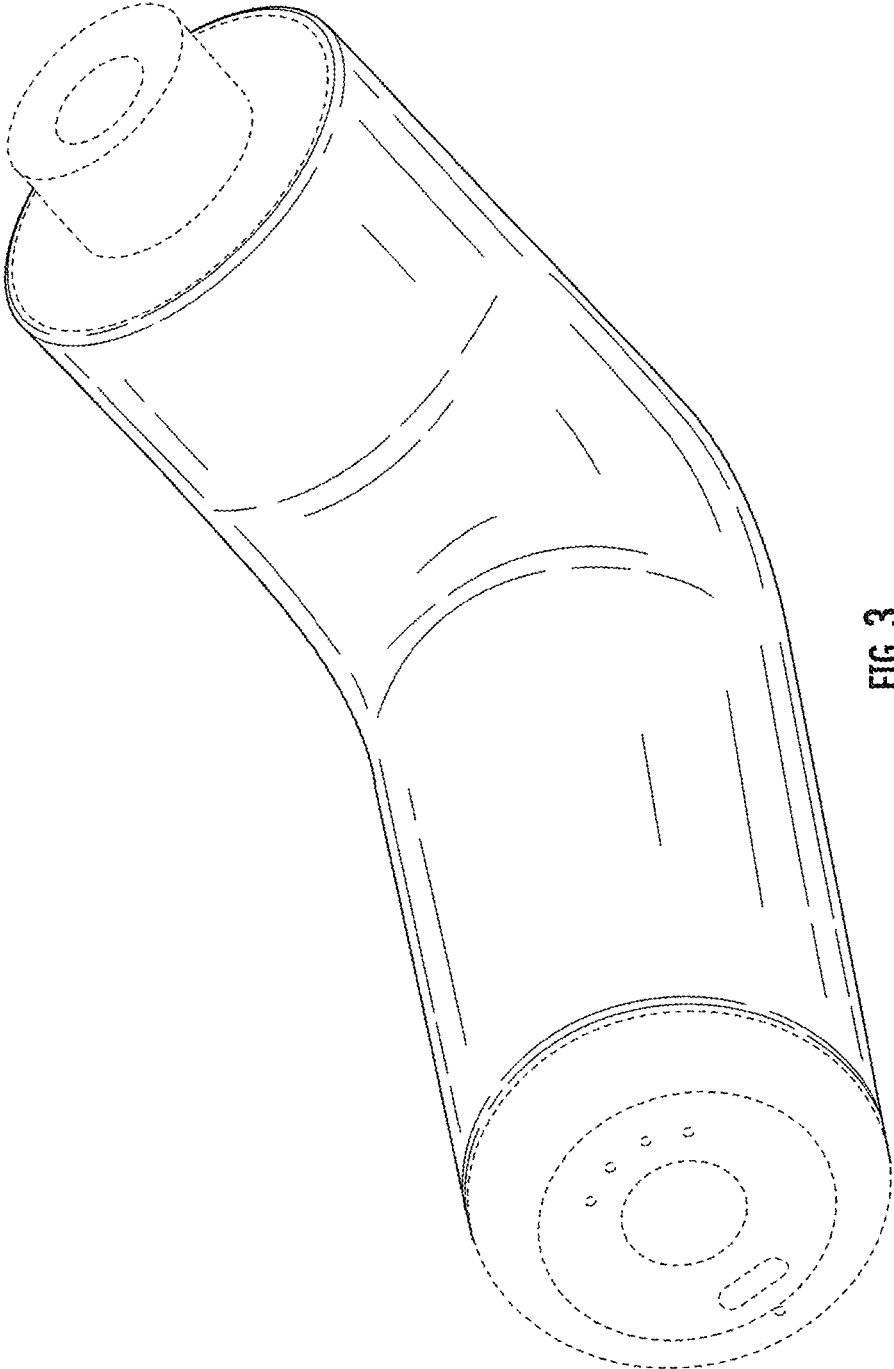


FIG. 3

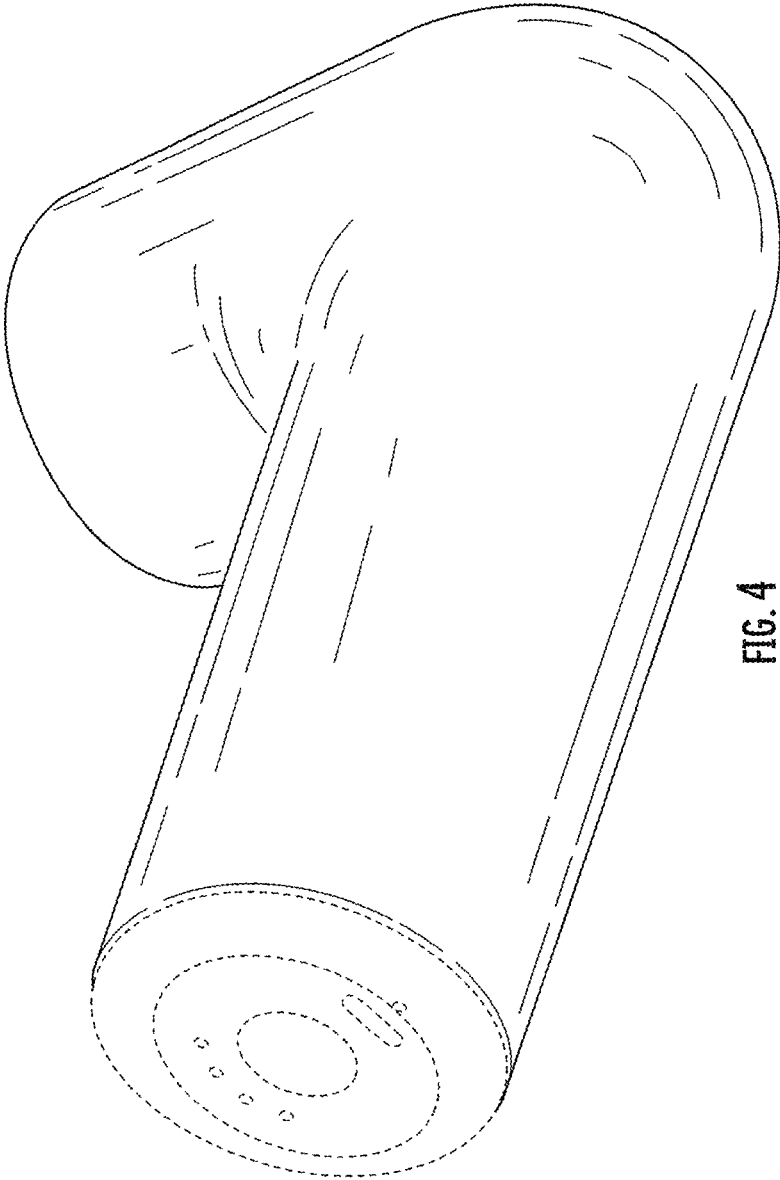


FIG. 4

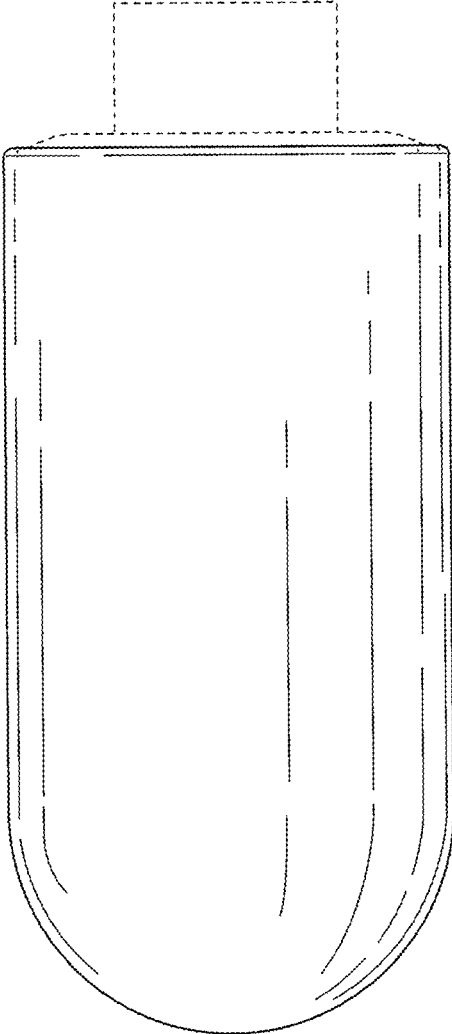


FIG. 5

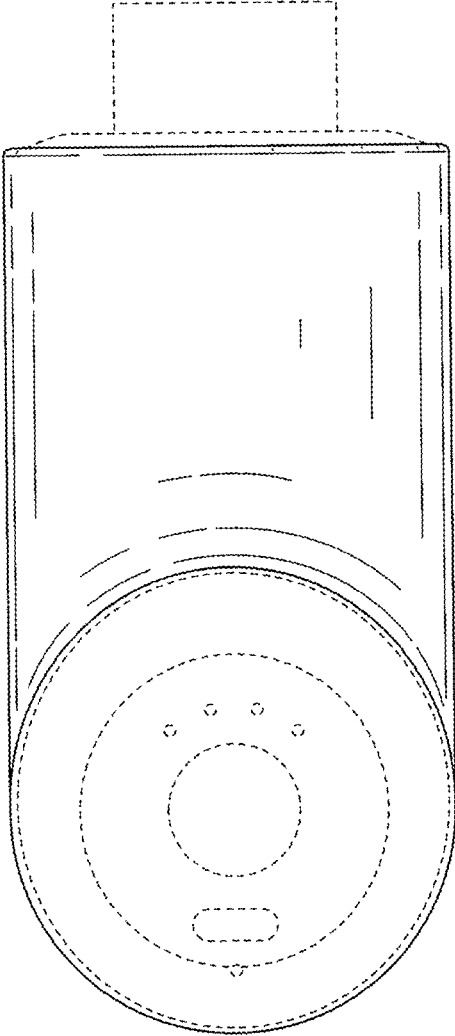


FIG. 6

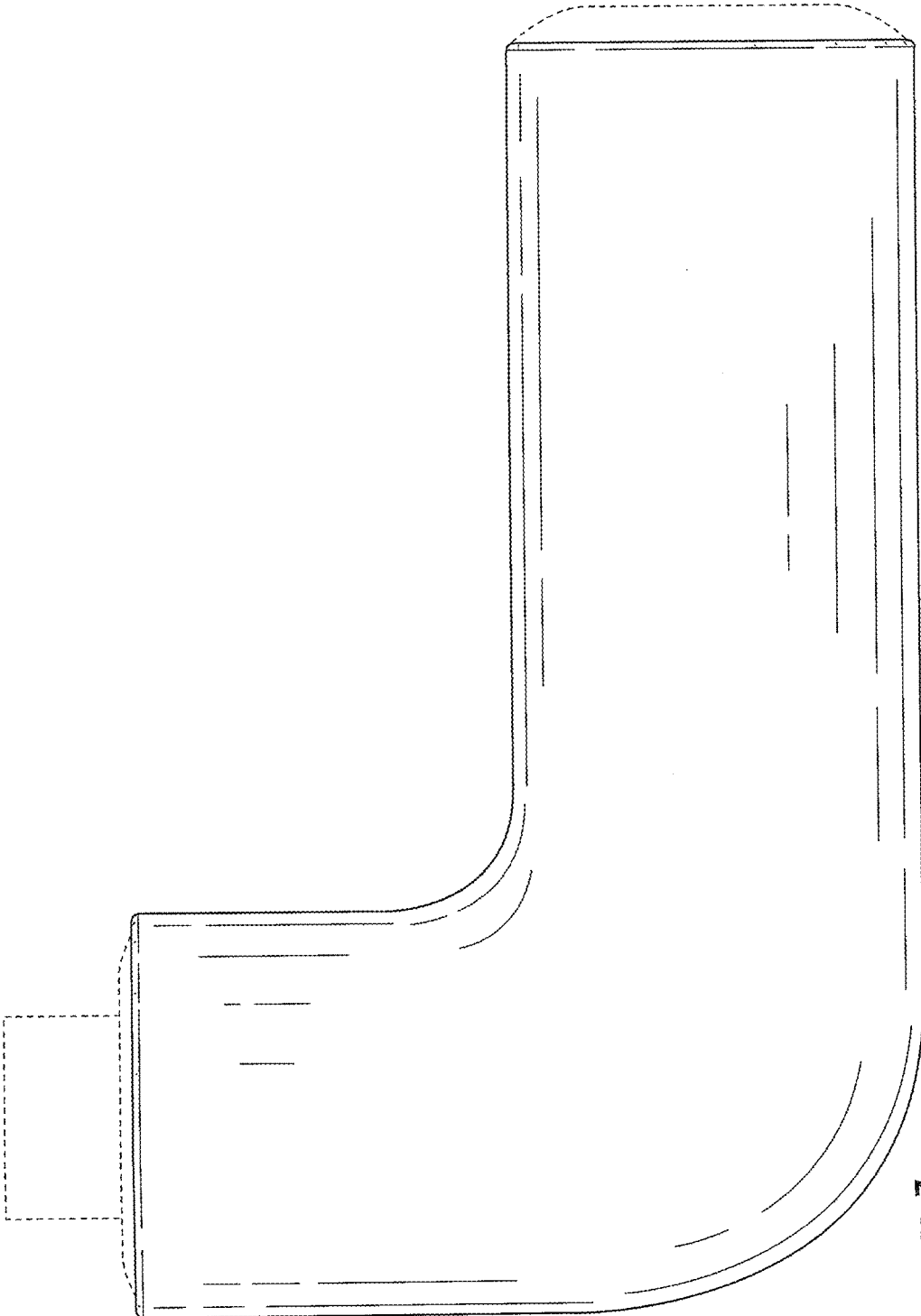


FIG. 7

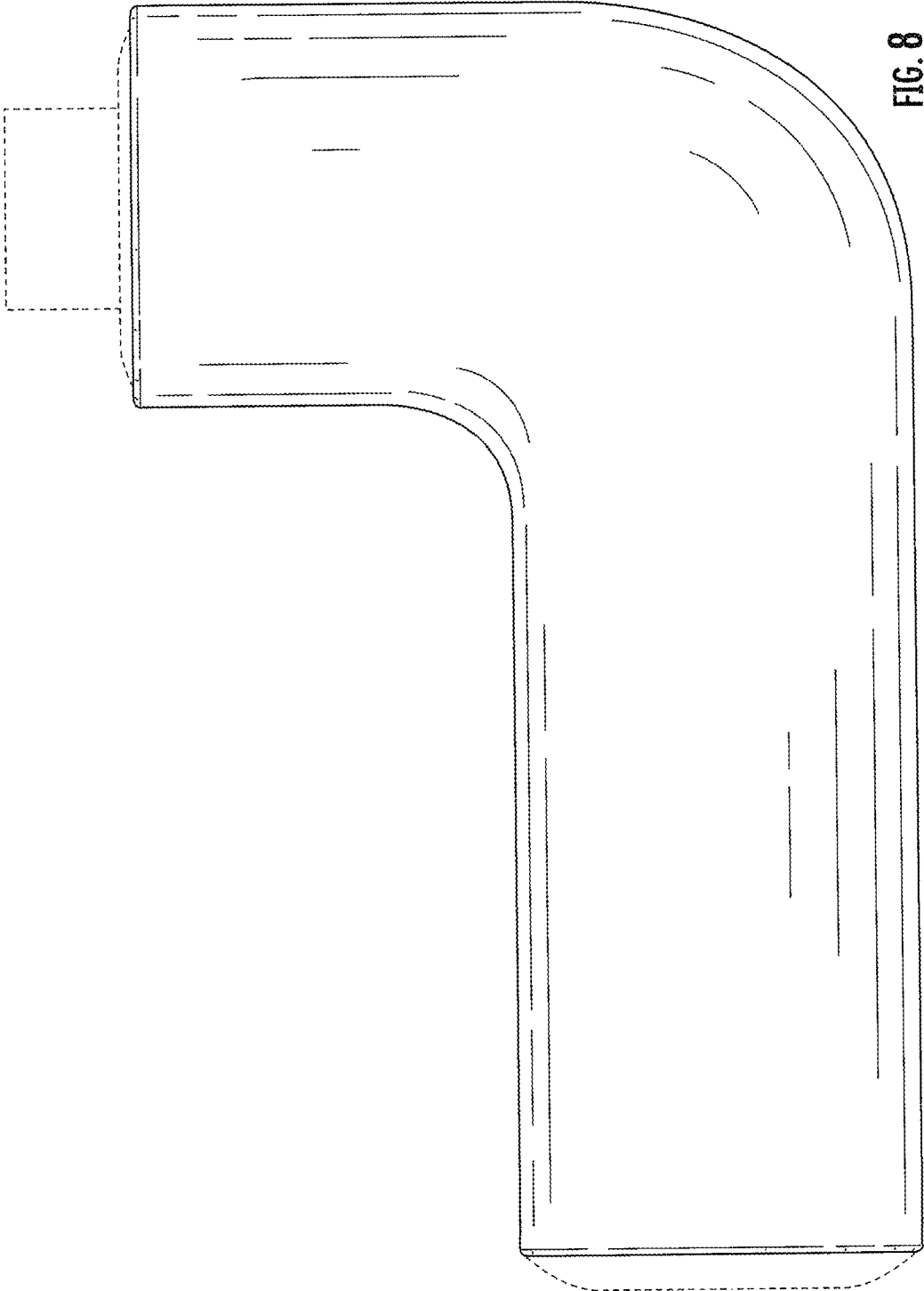


FIG. 8

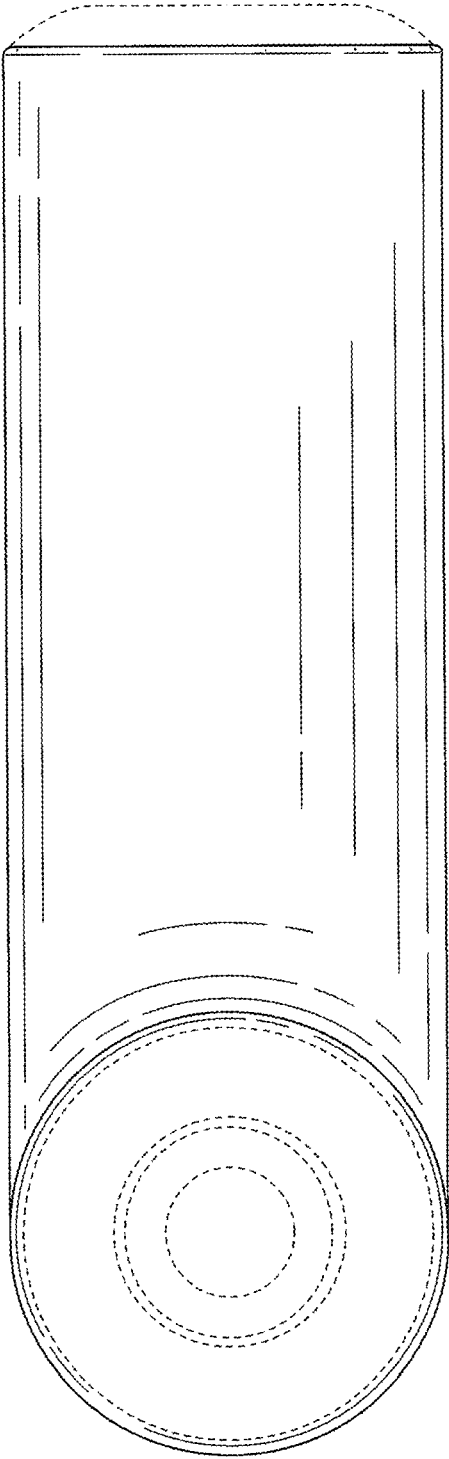


FIG. 9

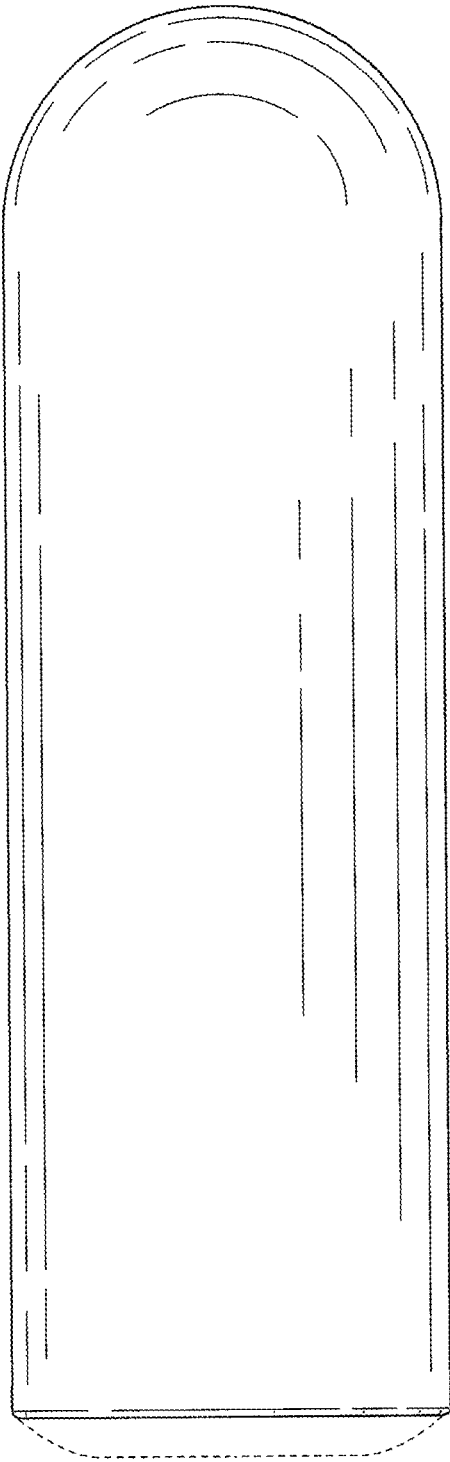


FIG. 10