



US00D533113S

(12) **United States Design Patent** (10) **Patent No.:** **US D533,113 S**
Cartabiano et al. (45) **Date of Patent:** **** Dec. 5, 2006**

(54) **MOTOR VEHICLE AND/OR TOY REPLICA THEREOF**

D515,972 S * 2/2006 Ikeda et al. D12/91

OTHER PUBLICATIONS

(75) Inventors: **Ian Cartabiano**, Newport Beach, CA (US); **Craig Kember**, Newport Beach, CA (US)

Honda, Elysion, Brochure of Elysion, May 2004, Honda Motor Co., Ltd.

Saturn, Relay, "The 2006 Saturn Relay", Brochure of Saturn Relay, Jan. 2006, Saturn Corporation.

(73) Assignee: **Toyota Jidosha Kabushiki Kaisha** (JP)

* cited by examiner

(**) Term: **14 Years**

Primary Examiner—Melody N. Brown

(21) Appl. No.: **29/244,653**

(74) *Attorney, Agent, or Firm*—SAIDMAN DesignLaw Group

(22) Filed: **Dec. 12, 2005**

(57) **CLAIM**

(51) **LOC (8) CL.** **12-08**

The ornamental design for a motor vehicle and/or toy replica thereof, as shown and described.

(52) **U.S. CL.** **D12/91**

(58) **Field of Classification Search** D12/90-92, D12/86, 88; D21/424, 433; 296/181.1, 181.5

See application file for complete search history.

DESCRIPTION

(56) **References Cited**

FIG. 1 is a front perspective view of a motor vehicle and/or toy replica showing our new design;
FIG. 2 is a rear perspective view thereof;
FIG. 3 is a front view thereof;
FIG. 4 is a rear view thereof;
FIG. 5 is a right-side view thereof, the left-side view being a mirror image; and,
FIG. 6 is a top view.

U.S. PATENT DOCUMENTS

- D476,269 S * 6/2003 Suzuki et al. D12/91
- D490,019 S * 5/2004 Sakae D12/91
- D497,840 S * 11/2004 Egger D12/91
- D499,356 S * 12/2004 Minami et al. D12/91
- D504,639 S * 5/2005 Oishi et al. D12/91
- D505,097 S * 5/2005 Rodriguez D12/91

1 Claim, 6 Drawing Sheets

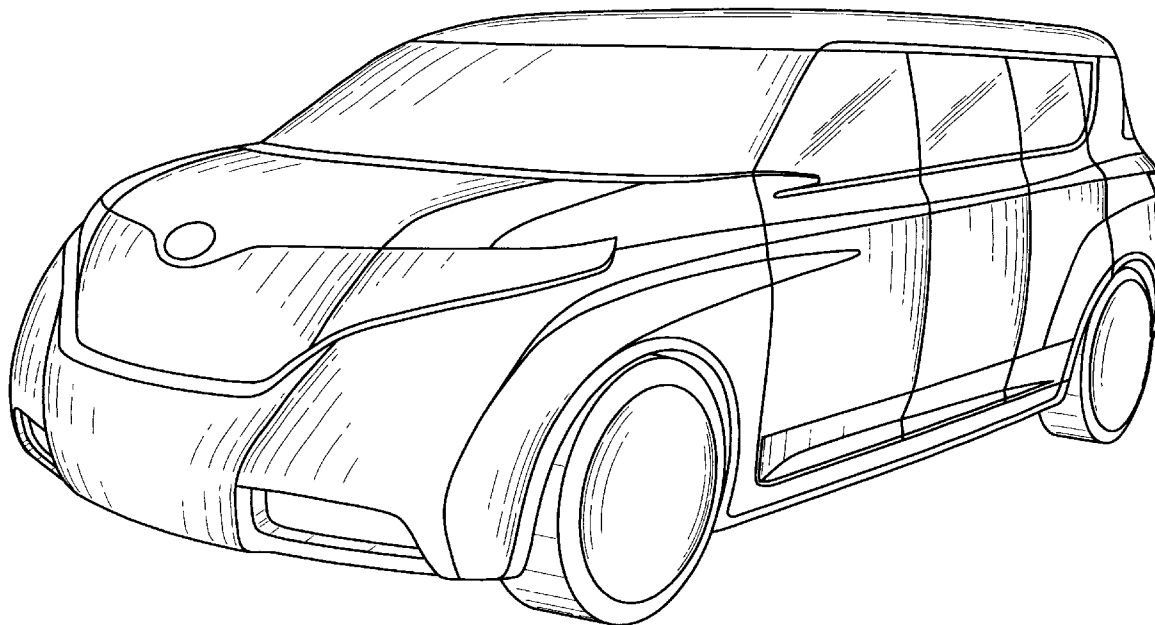


FIG. 1

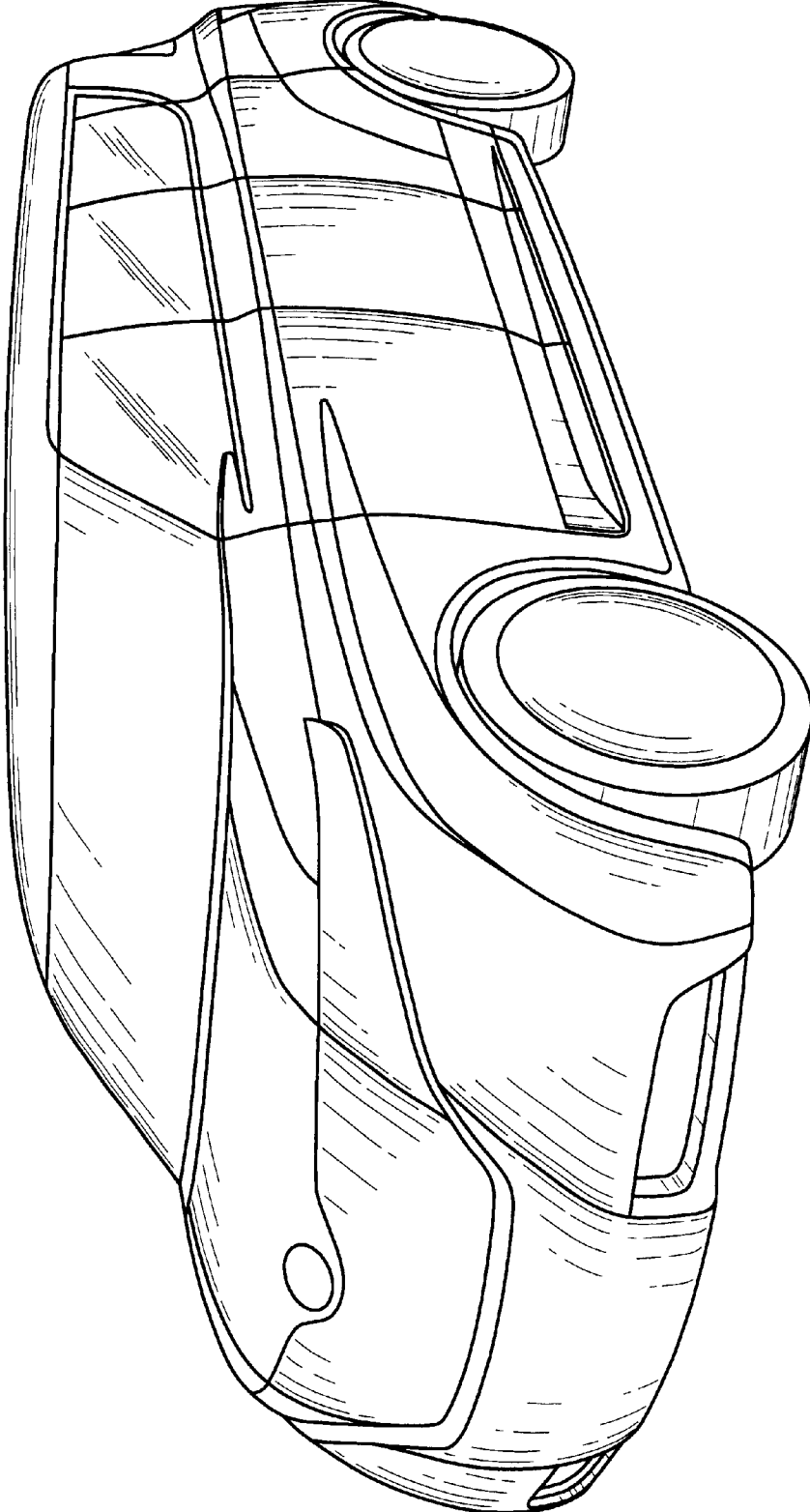


FIG. 2

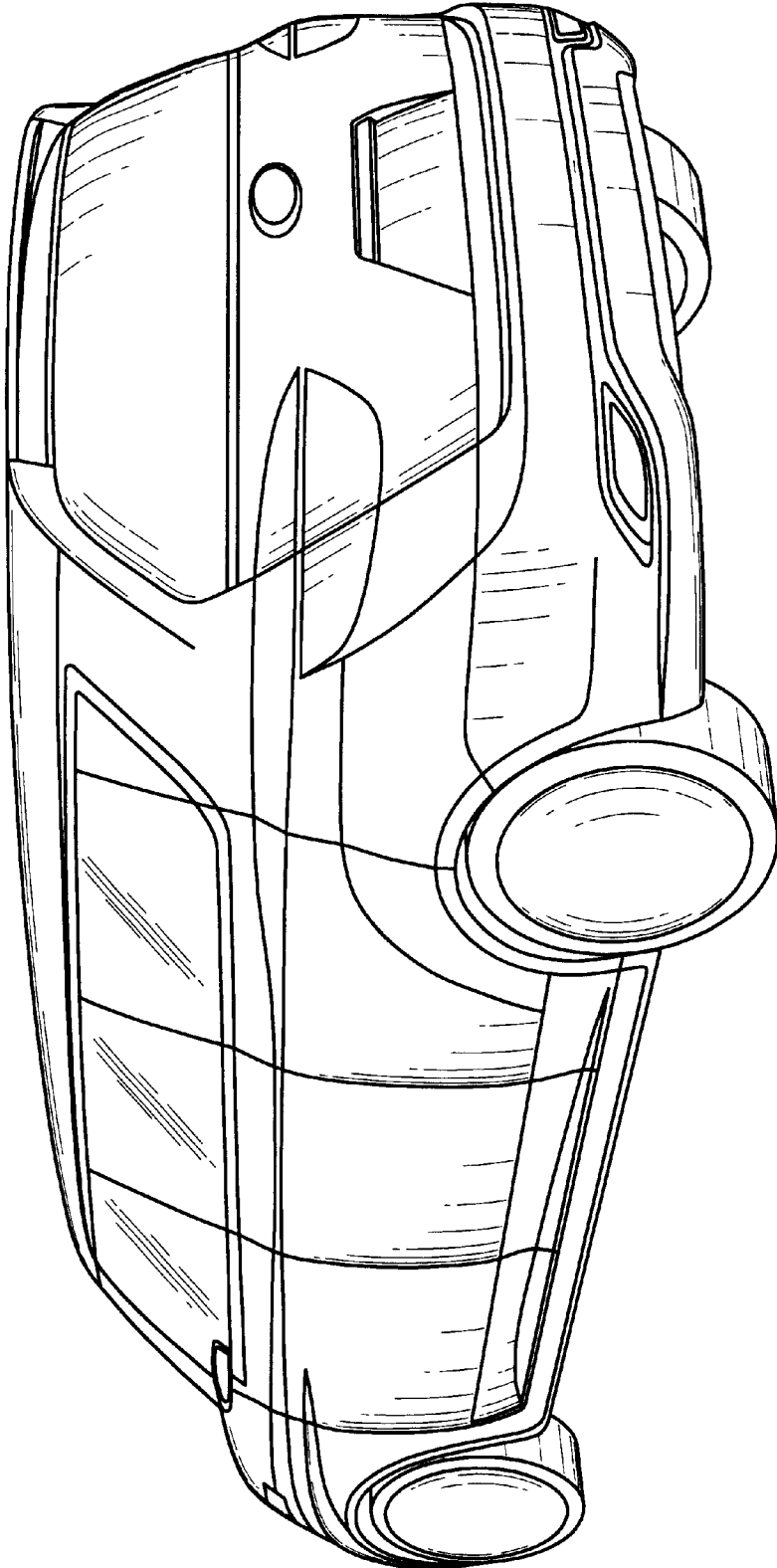


FIG. 3

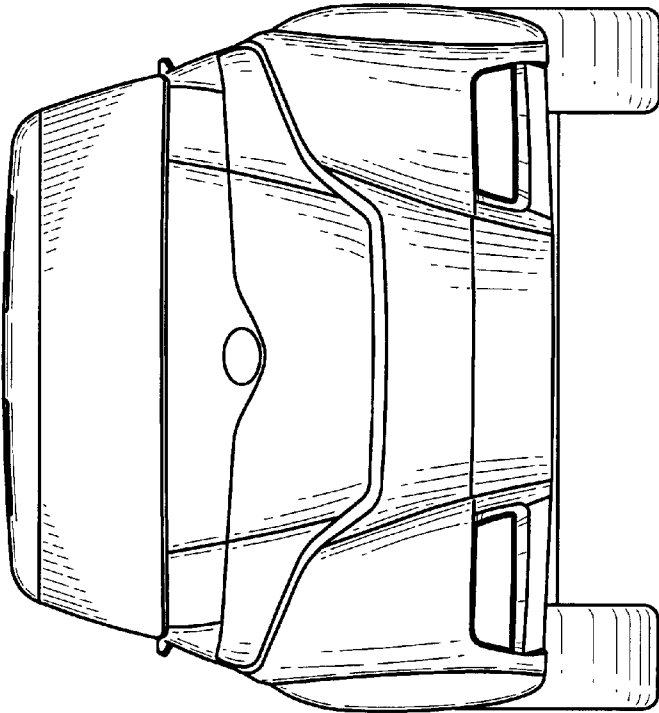


FIG. 4

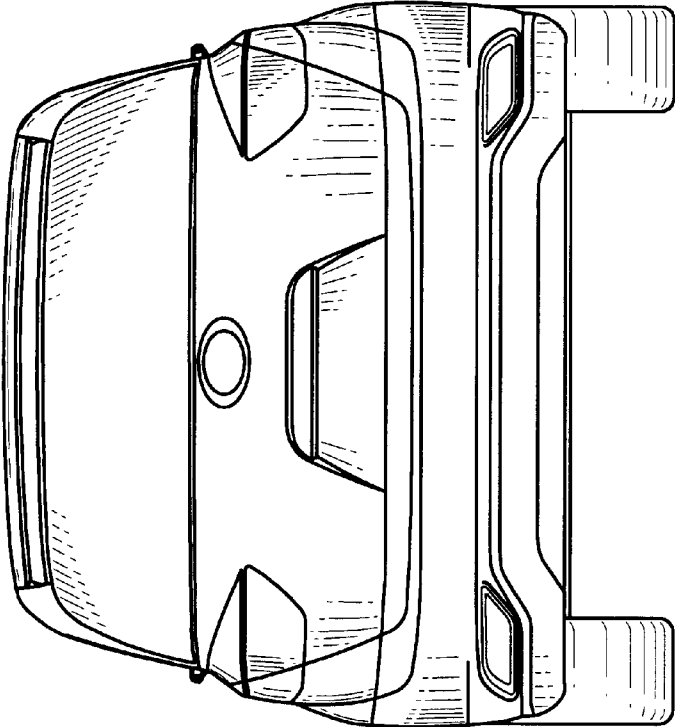


FIG. 5

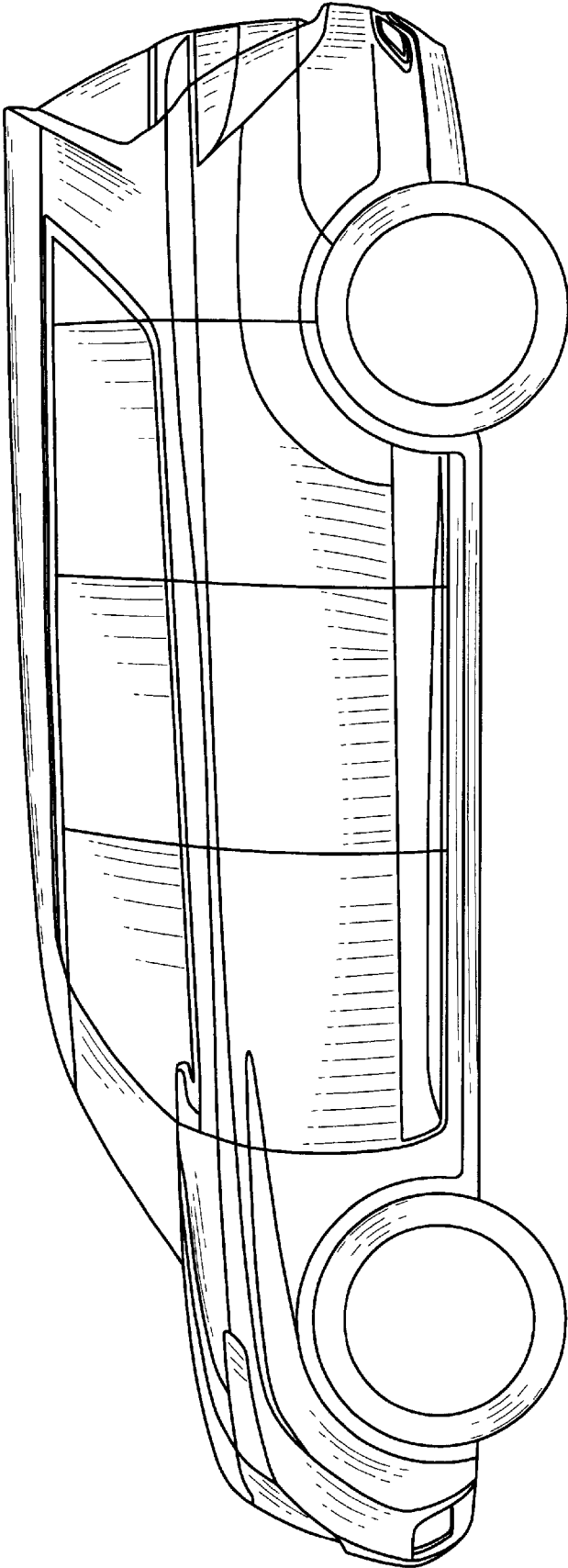


FIG. 6

