



US00D999419S

(12) **United States Design Patent**
Wang

(10) **Patent No.:** **US D999,419 S**

(45) **Date of Patent:** **** Sep. 19, 2023**

(54) **CAMPING LANTERN**
(71) Applicant: **Chongping Wang**, Zhejiang (CN)
(72) Inventor: **Chongping Wang**, Zhejiang (CN)
(**) Term: **15 Years**

D809,688 S * 2/2018 Christensen D26/41
D844,202 S * 3/2019 Bennett D26/41
D904,656 S * 12/2020 Christensen D26/41

(Continued)

(21) Appl. No.: **29/822,917**
(22) Filed: **Jan. 12, 2022**

OTHER PUBLICATIONS

LED Camping Lantern, first available Sep. 29, 2022, amazon.com, [online], [site visited May 3, 2023], Available from internet URL: https://www.amazon.com/Rechargeable-Flashlights-Dimmable-Daylight-Waterproof/dp/B0B8YL44JP/ref=sr_1_36?crd=299XJAGGKMWVR&keywords%E2%80%A6=undefined&th=1 (Year: 2022).*

(30) **Foreign Application Priority Data**

Jul. 14, 2021 (CN) 202130446525.9

Primary Examiner — Angela J Lee
Assistant Examiner — Audris Park

(51) **LOC (14) Cl.** **26-02**

(52) **U.S. Cl.**
USPC **D26/41**

(57) **CLAIM**

The ornamental design for a camping lantern, as shown and described.

(58) **Field of Classification Search**
USPC D8/68; D10/114.1, 114.2, 114.6, 114.9; D13/102; D14/428; D26/8, 36, 37, 38, D26/40, 41, 42, 44, 45, 46, 48, 49, 50, D26/61, 63, 113; D2/966
CPC F21V 21/30; F21V 33/00; F21Y 2101/00; F21Y 2113/13; F21Y 2115/00; F21Y 2115/10; F21W 2111/10; F21W 2131/10; F21W 2131/20; F21S 8/003; F21S 9/03; F21S 9/037; F21L 4/00; F21L 4/005; F21L 4/025; F21L 4/027; F21L 4/045; F21L 13/00; F21L 13/04; F21L 13/08; F21L 19/00; F21L 21/00; F21L 23/00

DESCRIPTION

FIG. 1 is a top, front and right side perspective view of a camping lantern showing my new design;
FIG. 2 is a bottom, rear and left side perspective view thereof;
FIG. 3 is a front elevational view thereof;
FIG. 4 is a rear elevational view thereof;
FIG. 5 is a left side view thereof;
FIG. 6 is a right side view thereof;
FIG. 7 is a top plan view thereof;
FIG. 8 is a bottom plan view thereof;
FIG. 9 is an enlarged view of portion 9 in FIG. 1;
FIG. 10 is an enlarged view of portion 10 in FIG. 1;
FIG. 11 is a front elevational view showing the camping lantern in a first alternate position of use; and,
FIG. 12 is another front elevational view showing the camping lantern in a second alternate position of use.
The broken lines in the drawings illustrate portions of the camping lantern which form no part of the claimed design.

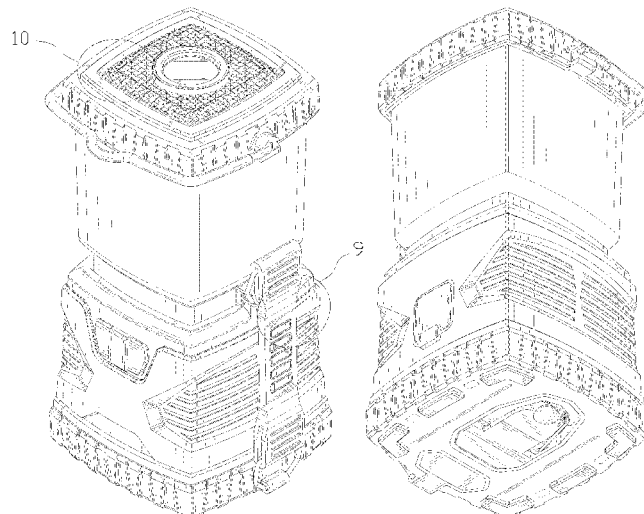
See application file for complete search history.

(56) **References Cited**

U.S. PATENT DOCUMENTS

D434,163 S * 11/2000 Lee D26/40
D498,319 S * 11/2004 Poon D26/40
D532,134 S * 11/2006 Lo D26/40
D541,961 S * 5/2007 Tarter D26/40
D575,429 S * 8/2008 Shiu D26/40
D658,324 S * 4/2012 Reimann D26/40
D707,378 S * 6/2014 Shiu D26/41
D748,836 S * 2/2016 Zhang D26/40

1 Claim, 12 Drawing Sheets



(56)

References Cited

U.S. PATENT DOCUMENTS

2012/0300444 A1* 11/2012 Gibson F21V 21/145
362/186
2017/0152997 A1* 6/2017 Plott F21V 21/406

* cited by examiner

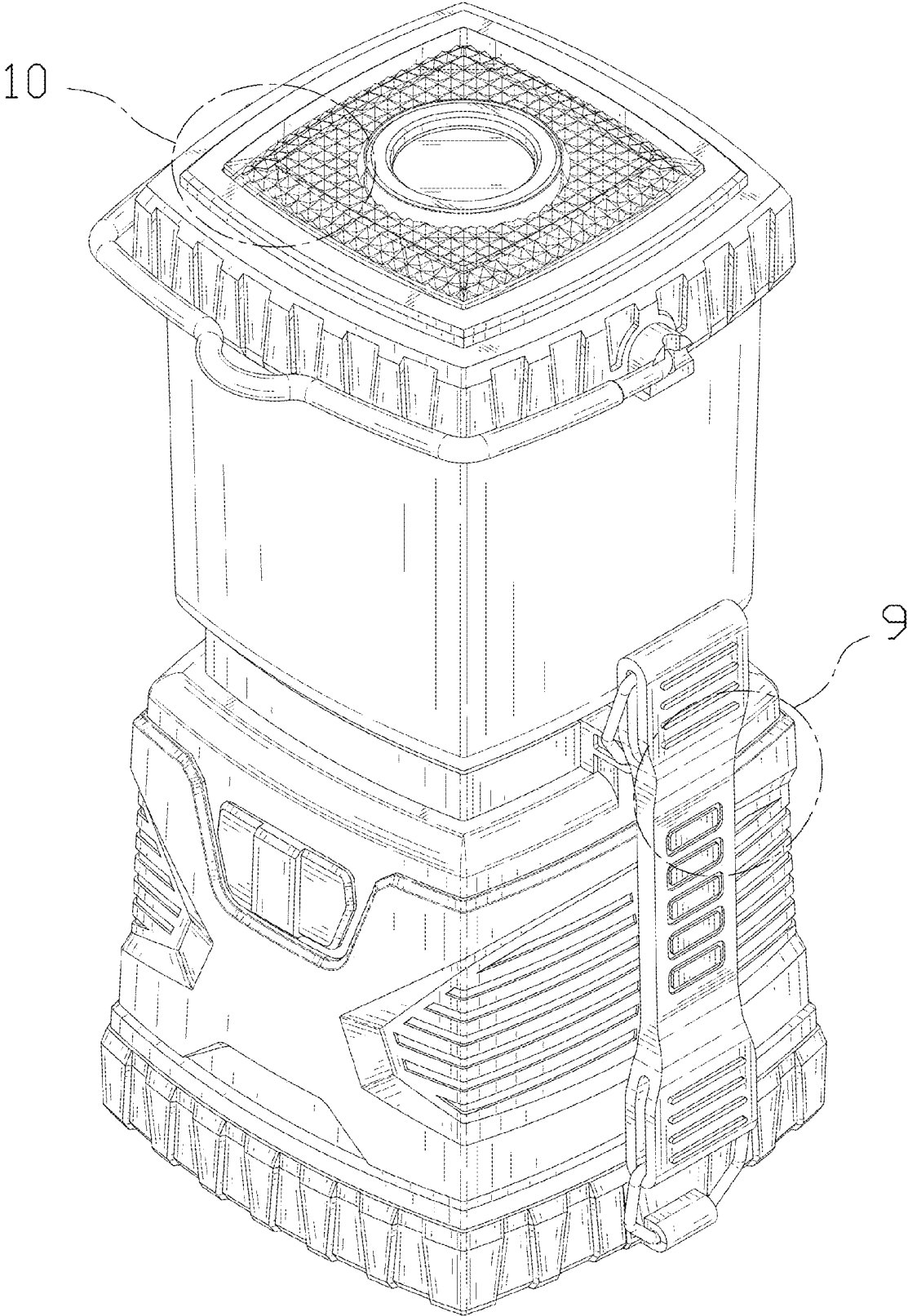


FIG. 1

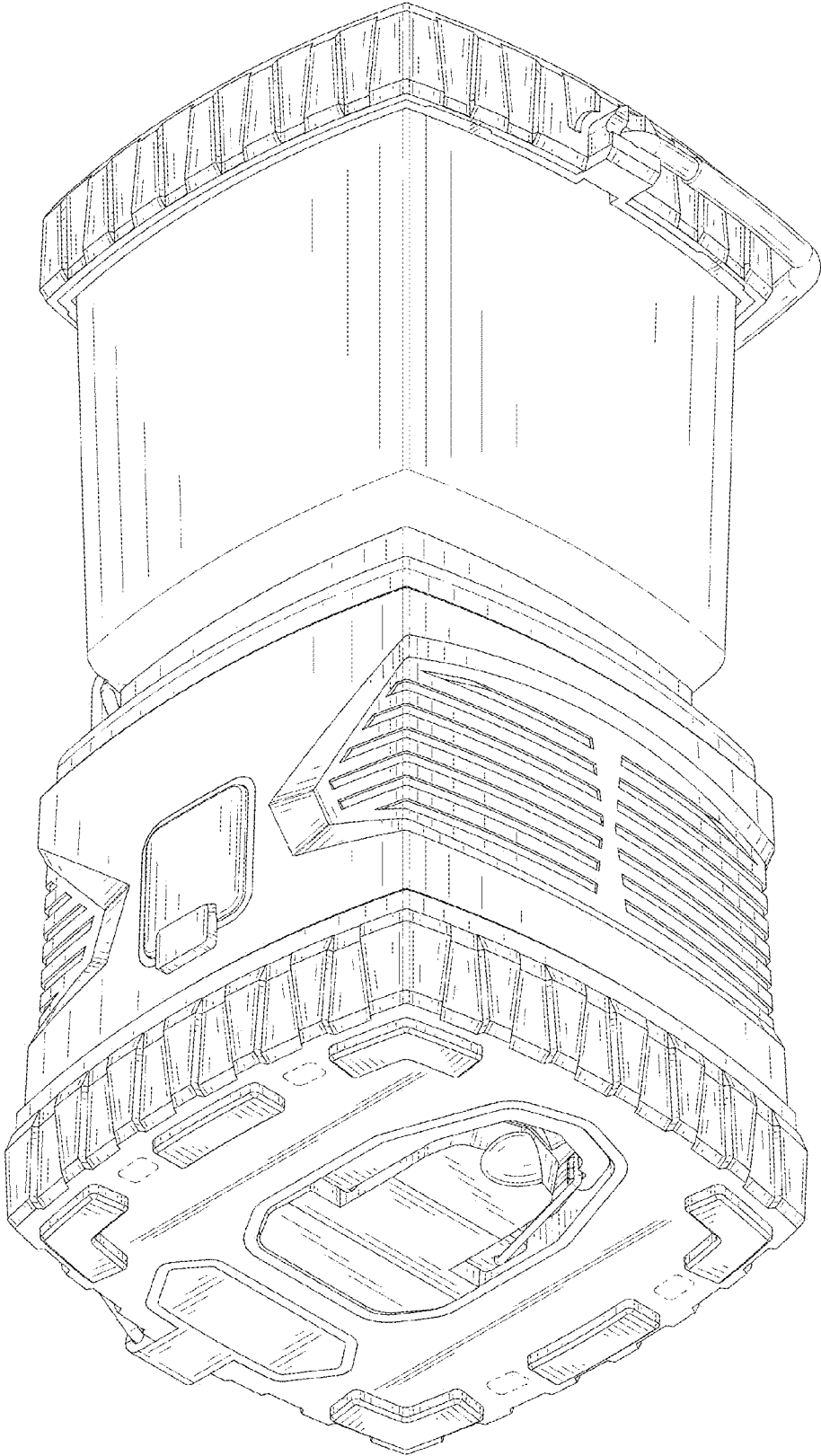


FIG. 2

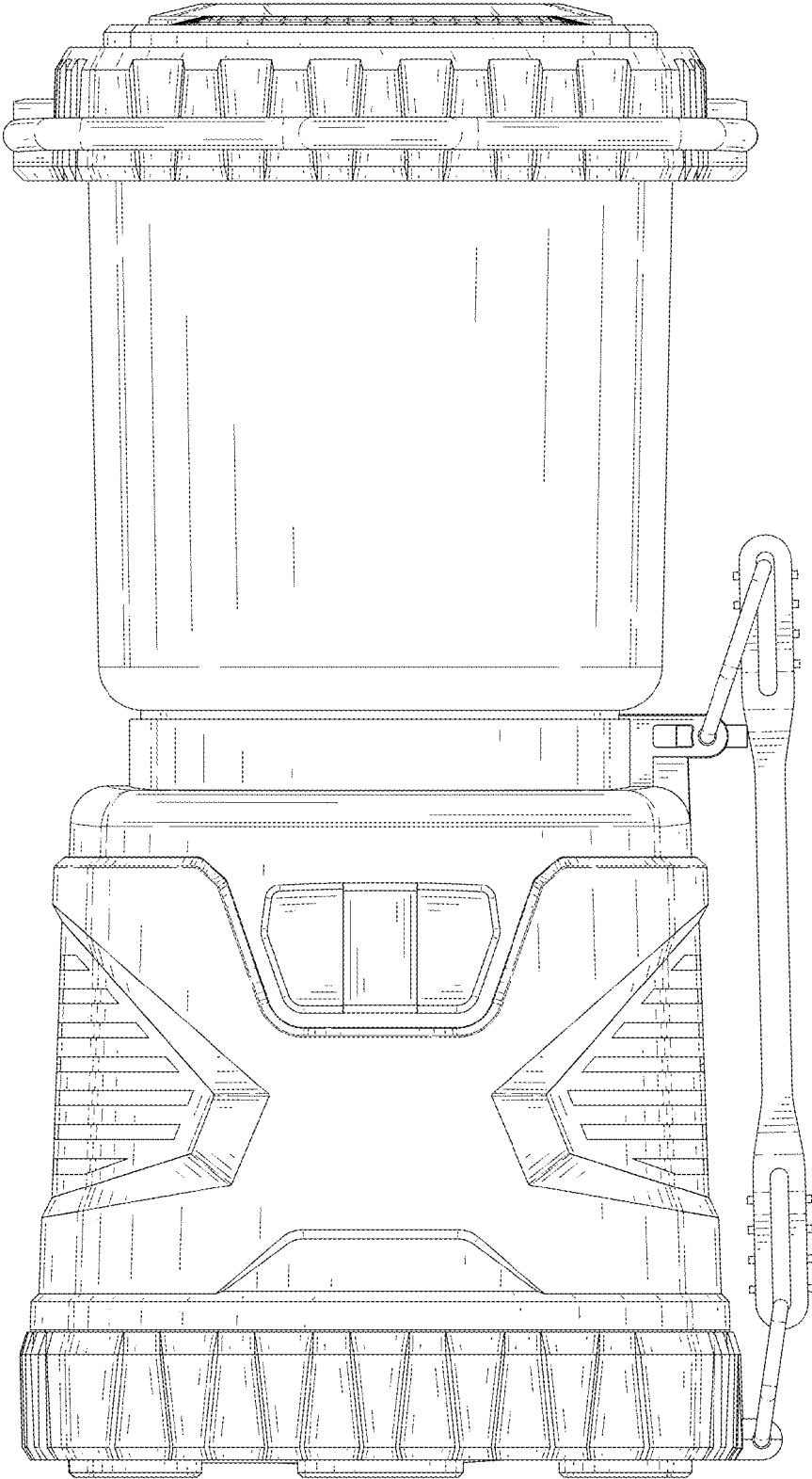


FIG. 3

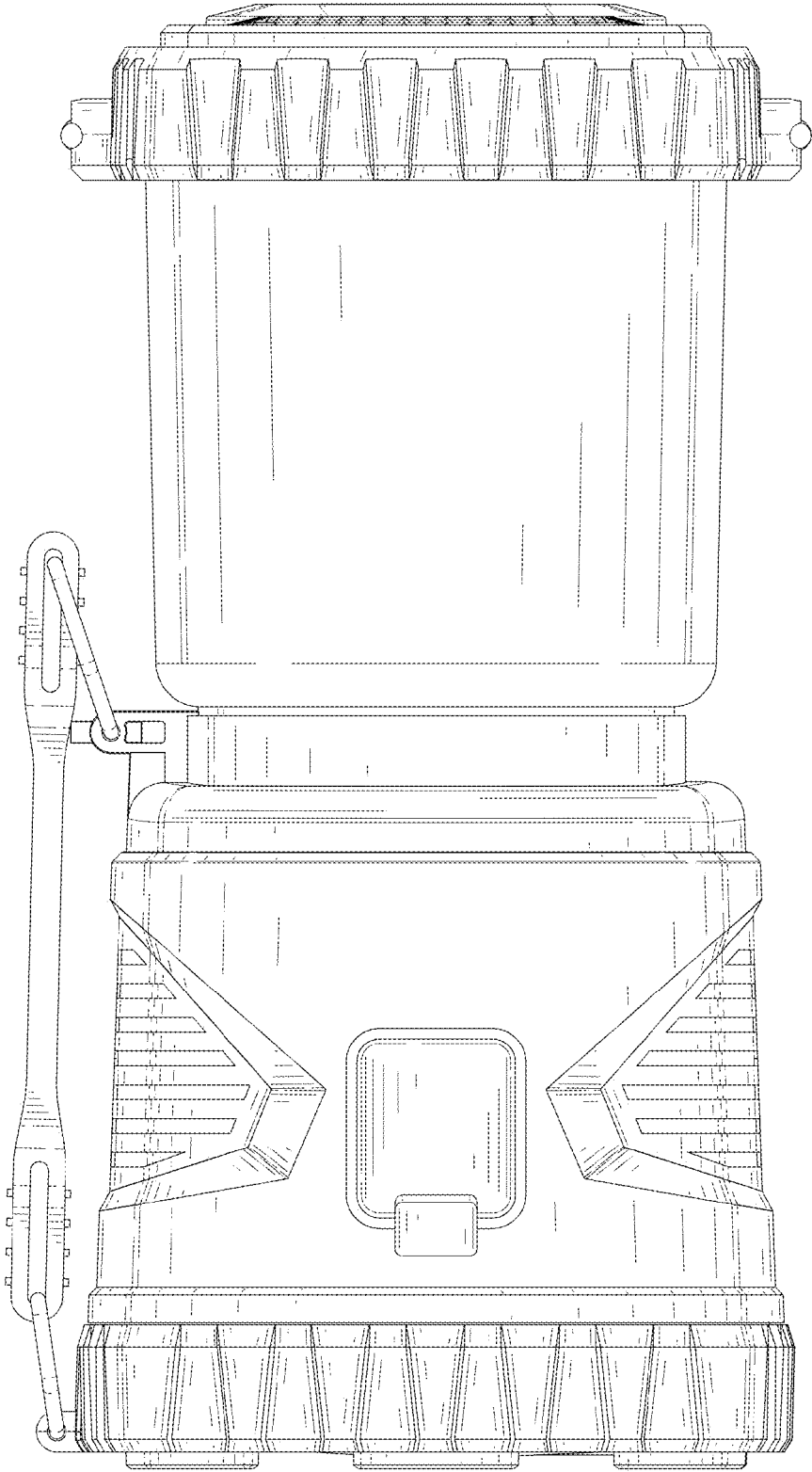


FIG. 4

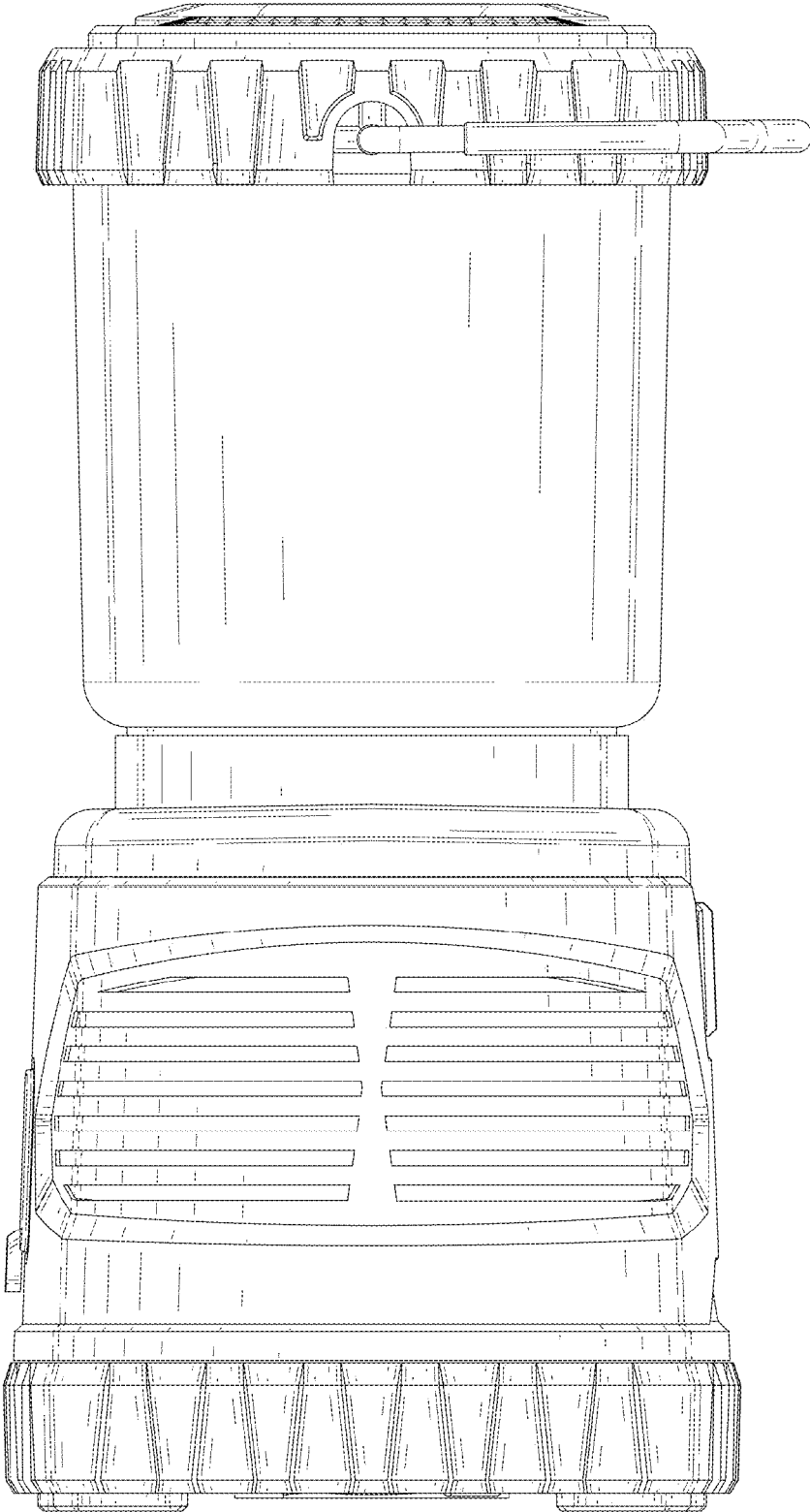


FIG. 5

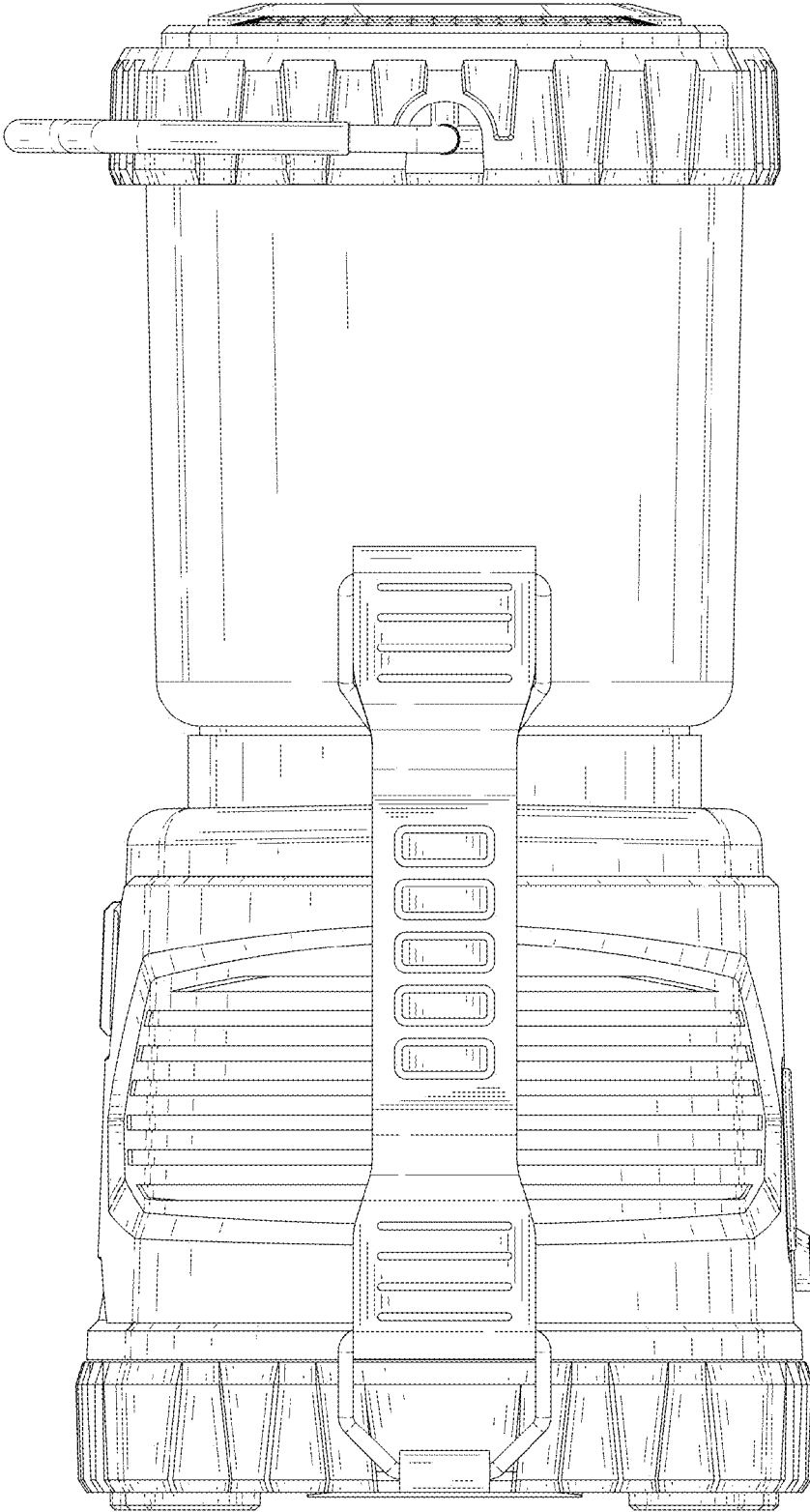


FIG. 6

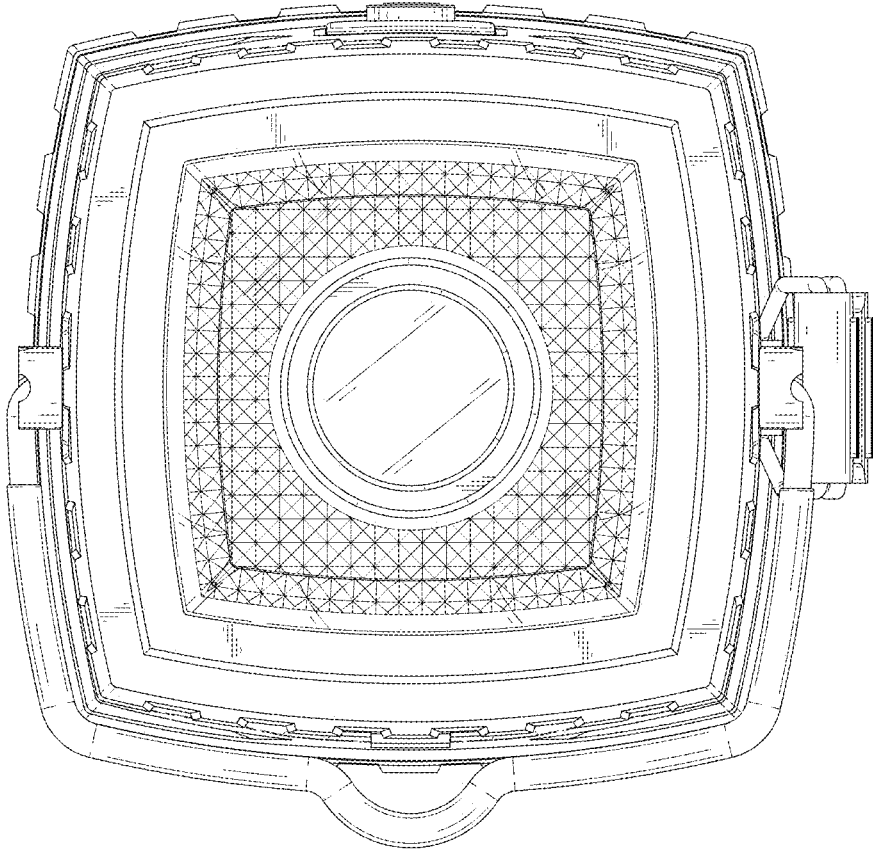


FIG. 7

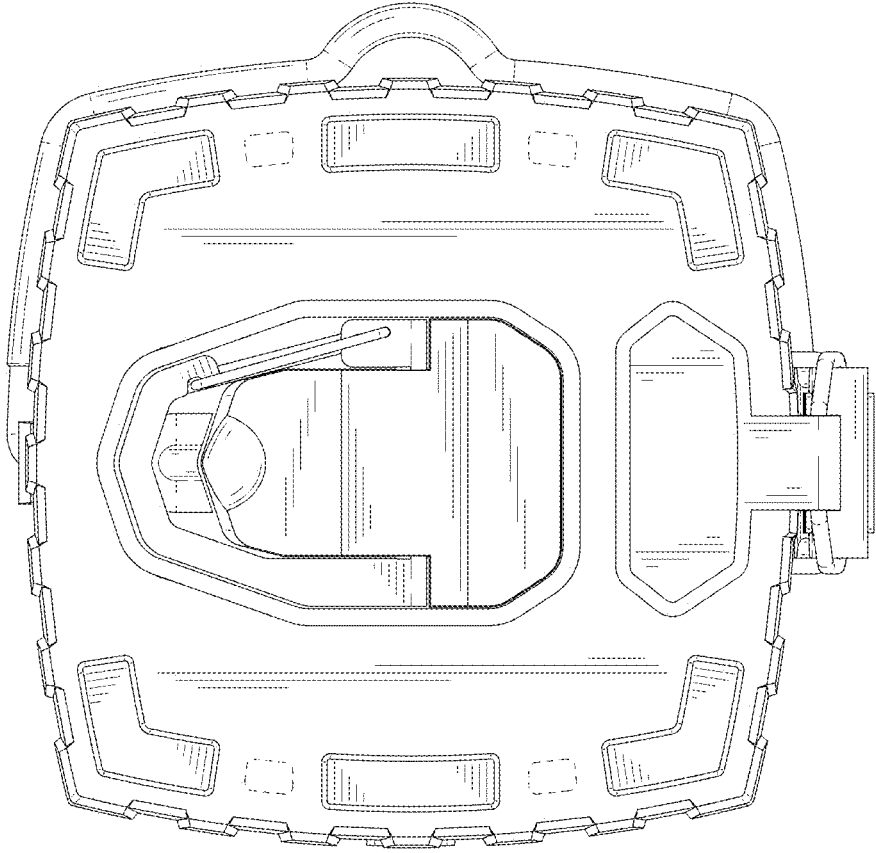


FIG. 8

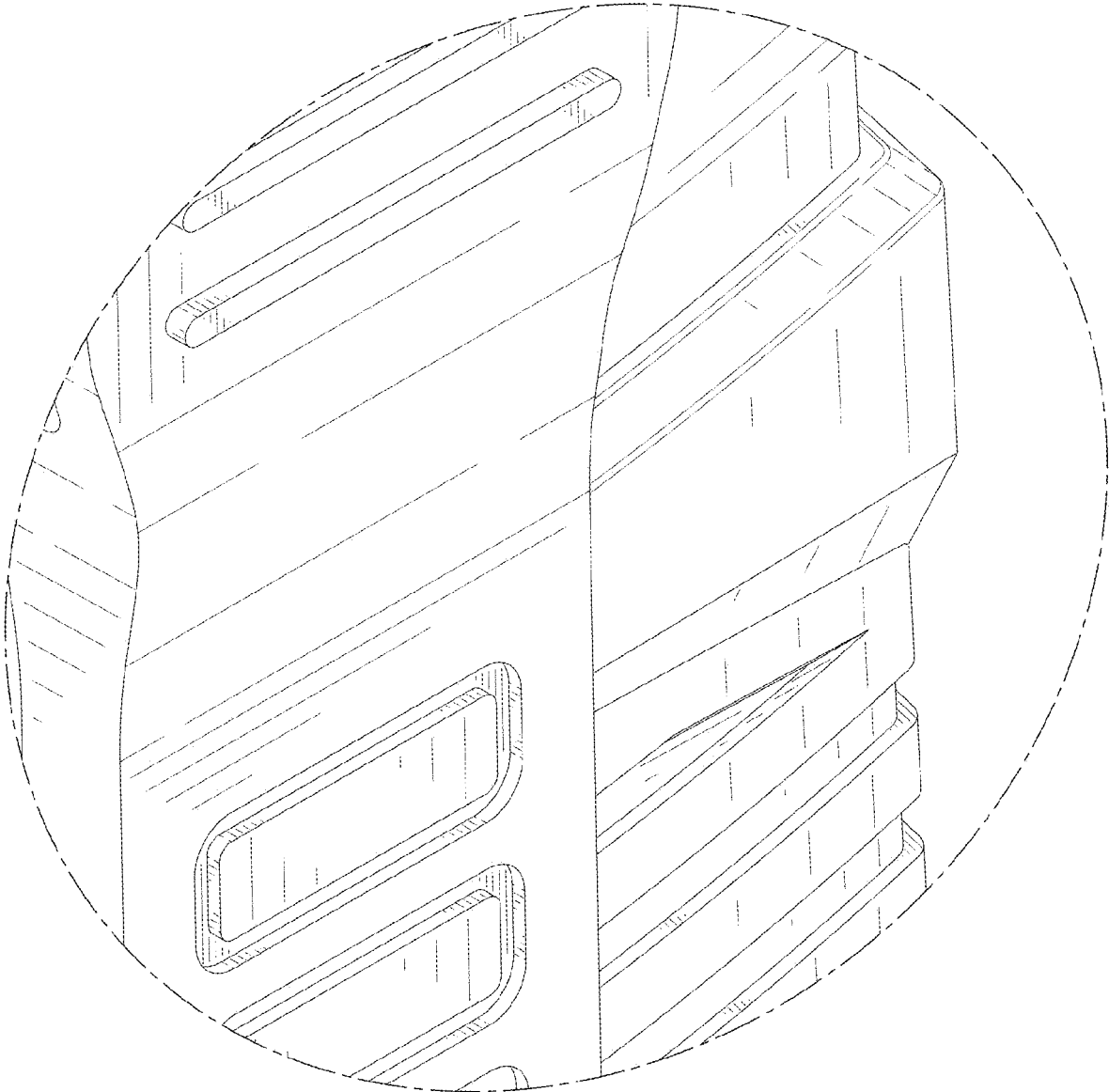


FIG. 9

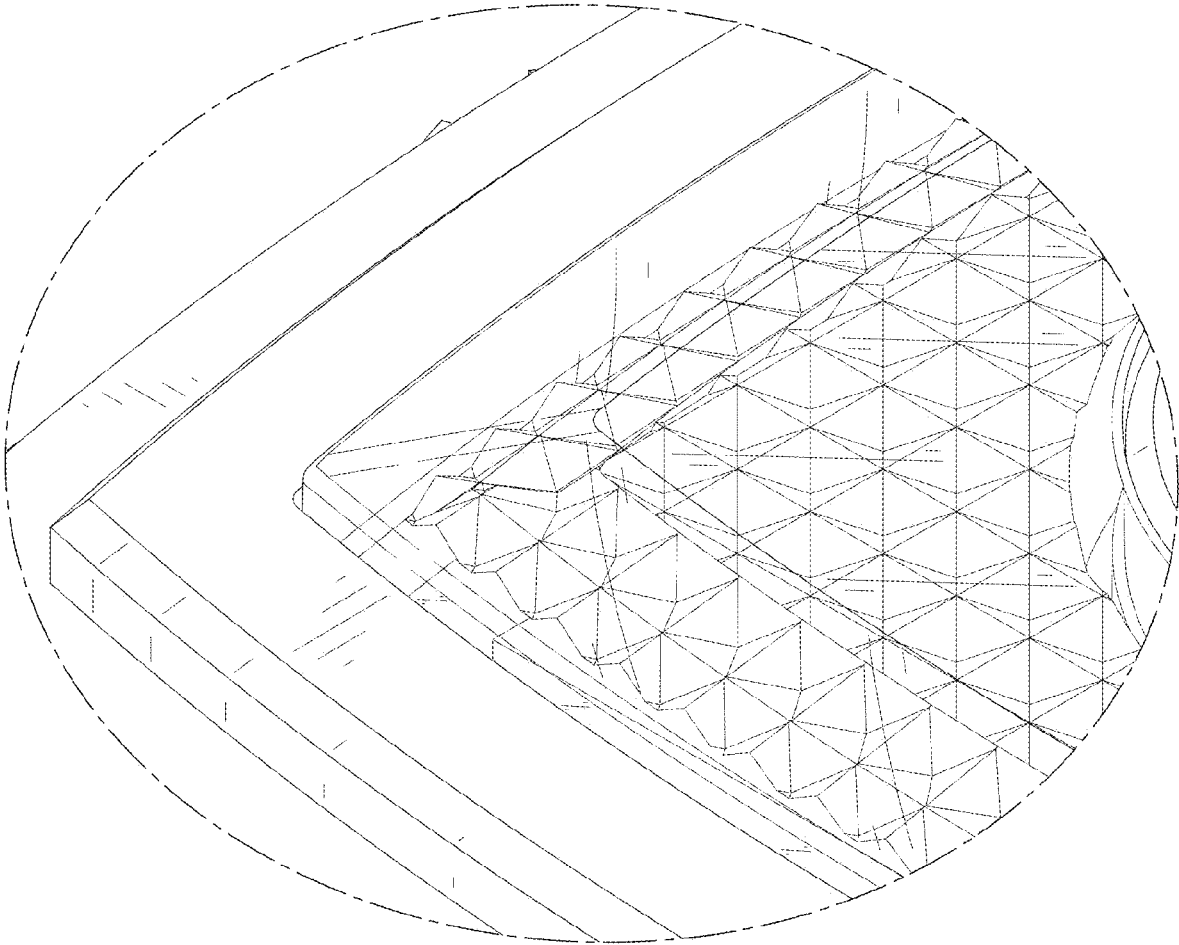


FIG. 10

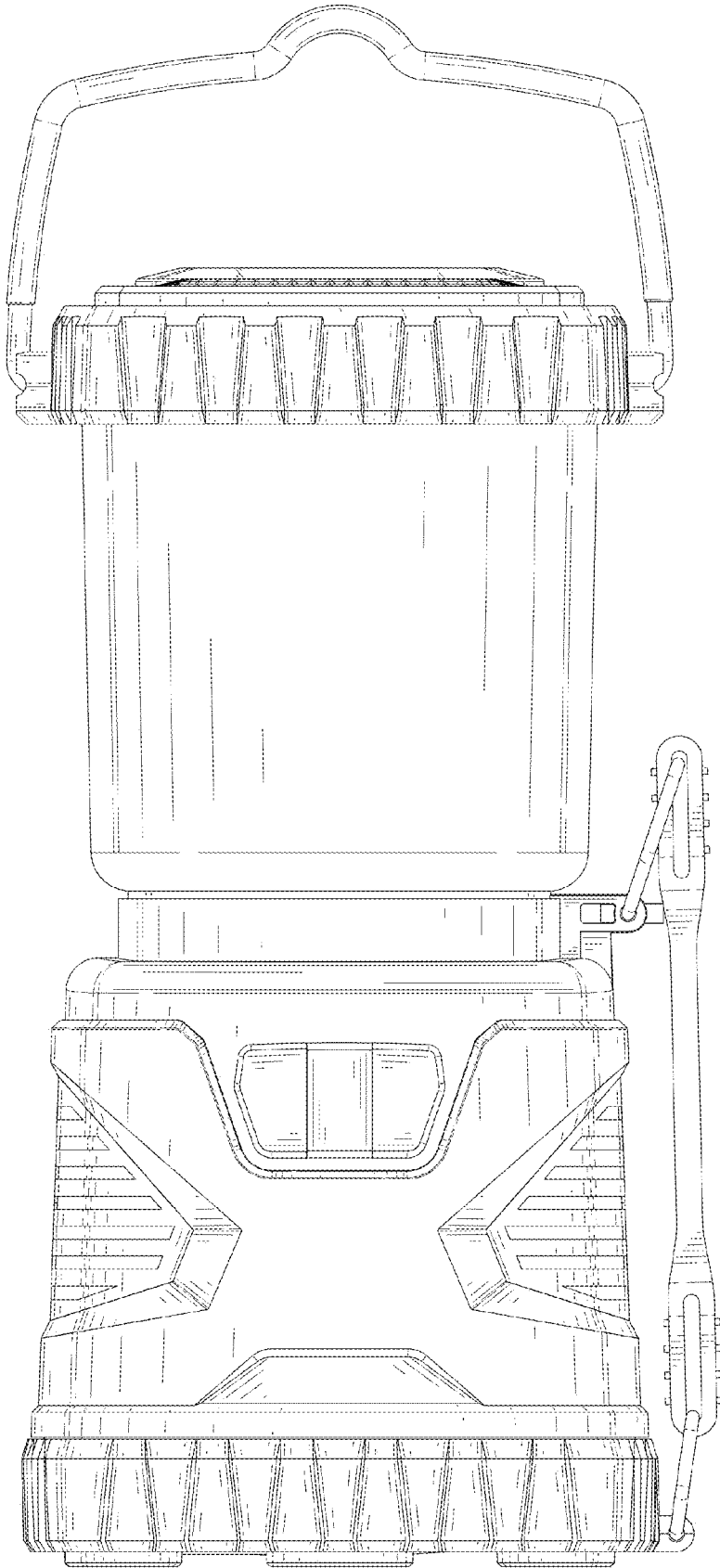


FIG. 11

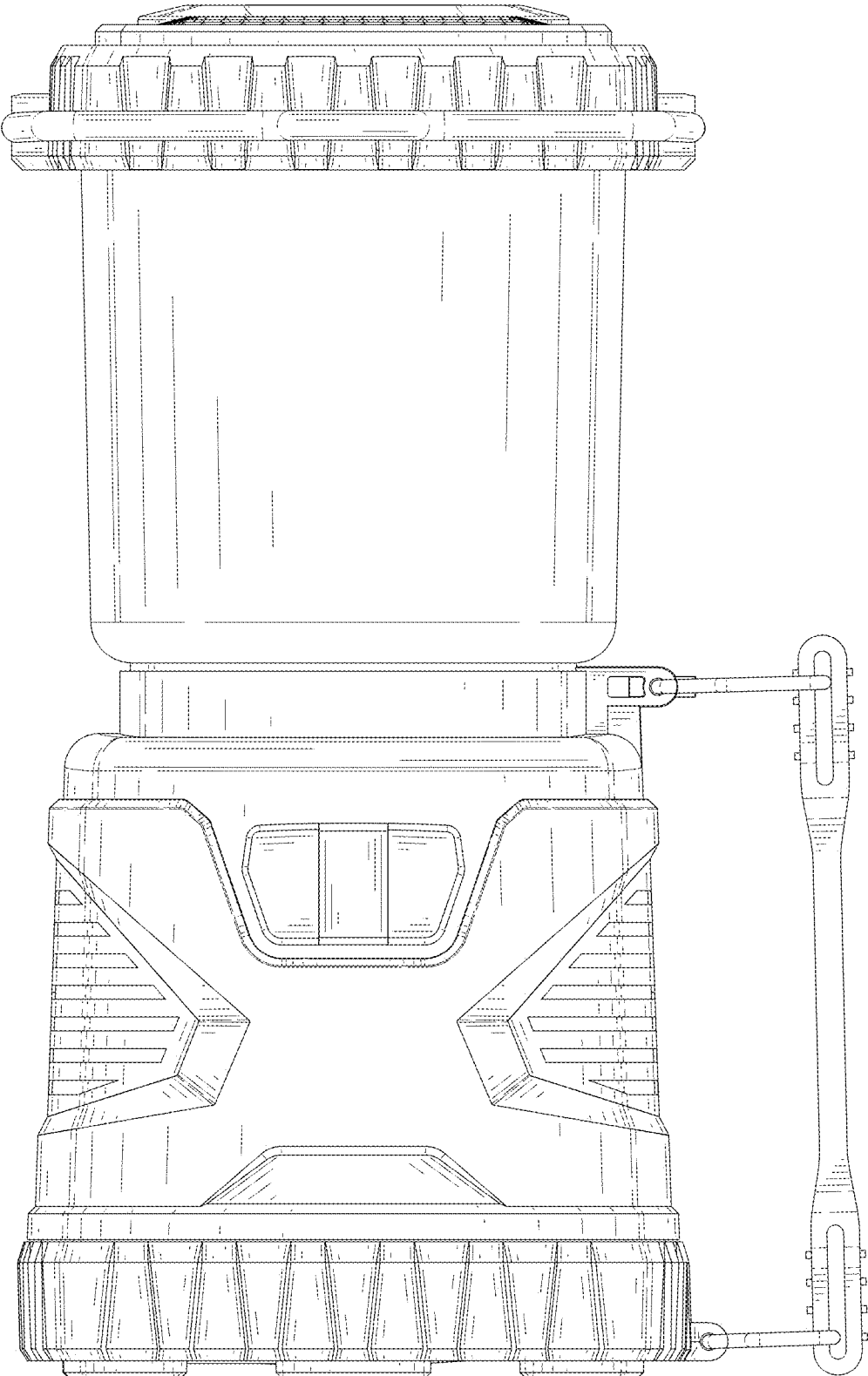


FIG. 12