



US00D348818S

United States Patent [19]
Hasegawa

[11] **Patent Number: Des. 348,818**
[45] **Date of Patent: ** Jul. 19, 1994**

[54] **KNIFE**

[75] **Inventor: Katsumi Hasegawa, Sagamihara, Japan**
[73] **Assignee: Kai R&D Center Co., Seki, Japan**
[**] **Term: 14 Years**
[21] **Appl. No.: 948,746**
[22] **Filed: Sep. 11, 1992**

[30] **Foreign Application Priority Data**

Mar. 13, 1992 [JP] Japan 4-7275
Mar. 13, 1992 [JP] Japan 4-7276
[52] **U.S. Cl. D8/99; D22/118**
[58] **Field of Search D8/98, 99; 30/156, 157, 30/158, 159, 160, 161; D22/118**

[56] **References Cited**

U.S. PATENT DOCUMENTS

D. 224,388 7/1972 Wood D8/99
D. 302,934 8/1989 Finn D8/99
D. 303,748 4/1987 Yamagishi D7/152
D. 308,009 5/1990 Evrell D8/99
D. 310,014 8/1990 Inman D8/99
D. 329,185 8/1990 Hasegawa D8/107
4,741,106 5/1988 Yamagishi 30/158

FOREIGN PATENT DOCUMENTS

0176486 4/1986 European Pat. Off. .

OTHER PUBLICATIONS

Knives '91', by Ken Warner, p. 176, page of Folding Knives 10A09.

Primary Examiner—Bernard Ansher
Assistant Examiner—Philip Hyder
Attorney, Agent, or Firm—Stetina & Brunda

[57] **CLAIM**

The ornamental design for a knife, as shown and described.

DESCRIPTION

FIG. 1 is a front elevational view of a knife showing my first new design;
FIG. 2 is a top plan view thereof;
FIG. 3 is a bottom plan view thereof;
FIG. 4 is a rear elevational view thereof;
FIG. 5 is a left side view thereof;
FIG. 6 is a right side view thereof;
FIG. 7 is a front elevational view thereof in an opened position;
FIG. 8 is a left side view thereof in the opened position;
FIG. 9 is a top plan view thereof in the opened position;
FIG. 10 is a bottom plan view thereof in the opened position;
FIG. 11 is a perspective view thereof in the opened position;
FIG. 12 is a front elevational view of a modified embodiment of the knife;
FIG. 13 is a top plan view thereof;
FIG. 14 is a bottom plan view thereof;
FIG. 15 is a rear elevational view thereof;
FIG. 16 is a left side view thereof;
FIG. 17 is a right side view thereof;
FIG. 18 is a front elevational view thereof in an opened position;
FIG. 19 is a left side view thereof in the opened position;
FIG. 20 is a top plan view thereof in the opened position;
FIG. 21 is a bottom plan view thereof in the opened position; and,
FIG. 22 is a perspective view thereof in the opened position.

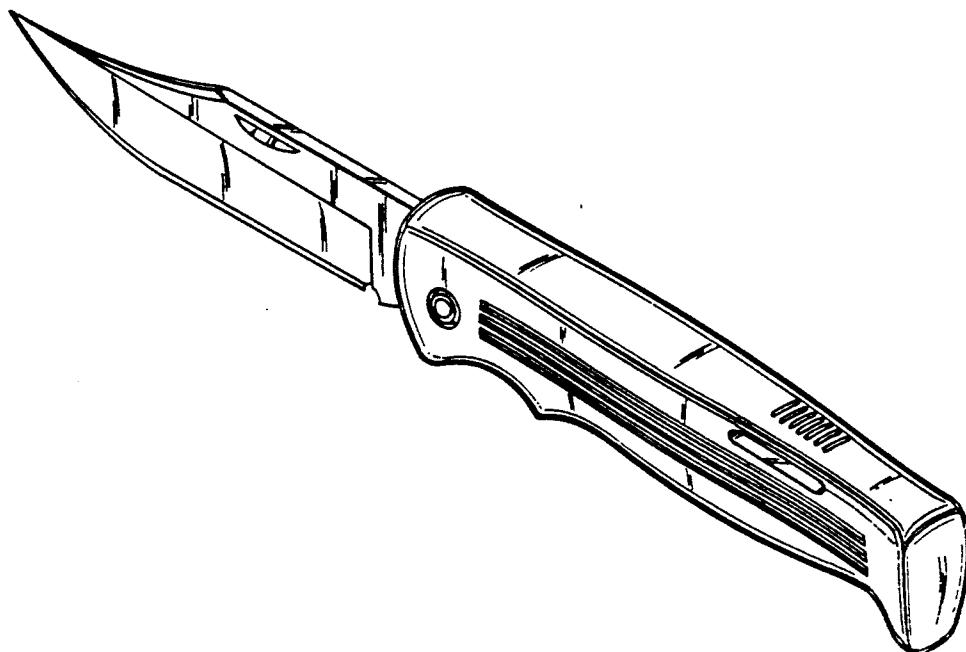


Fig. 1

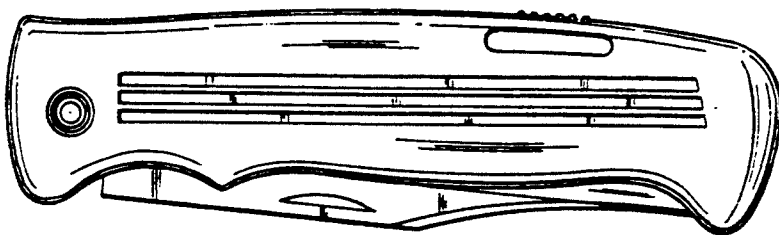


Fig. 2

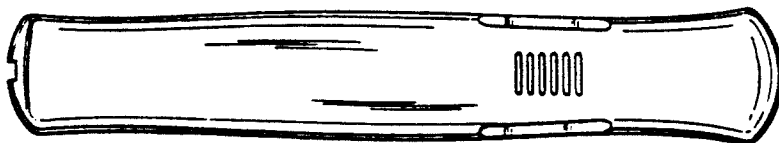


Fig. 3

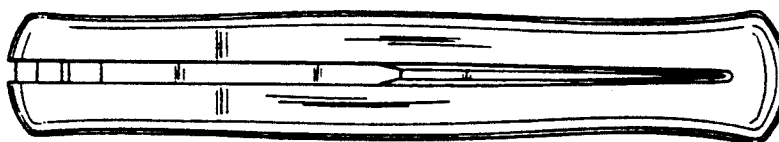


Fig. 4

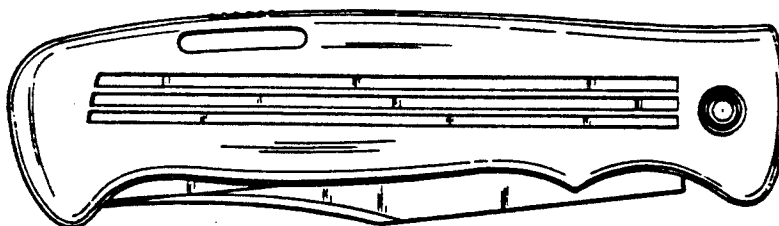


Fig. 5

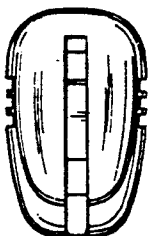


Fig. 6



Fig. 7

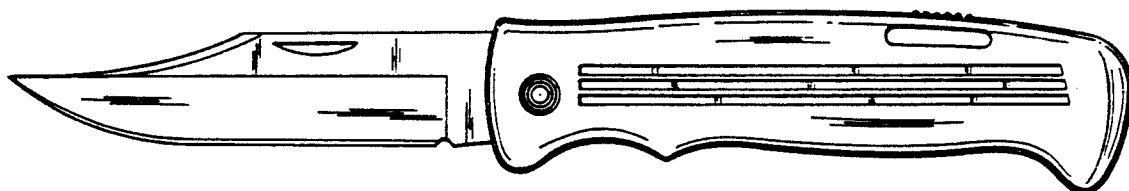


Fig. 9



Fig. 10

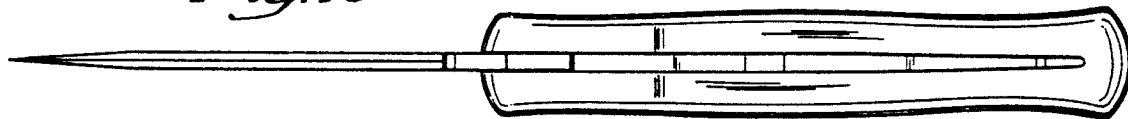


Fig. 8



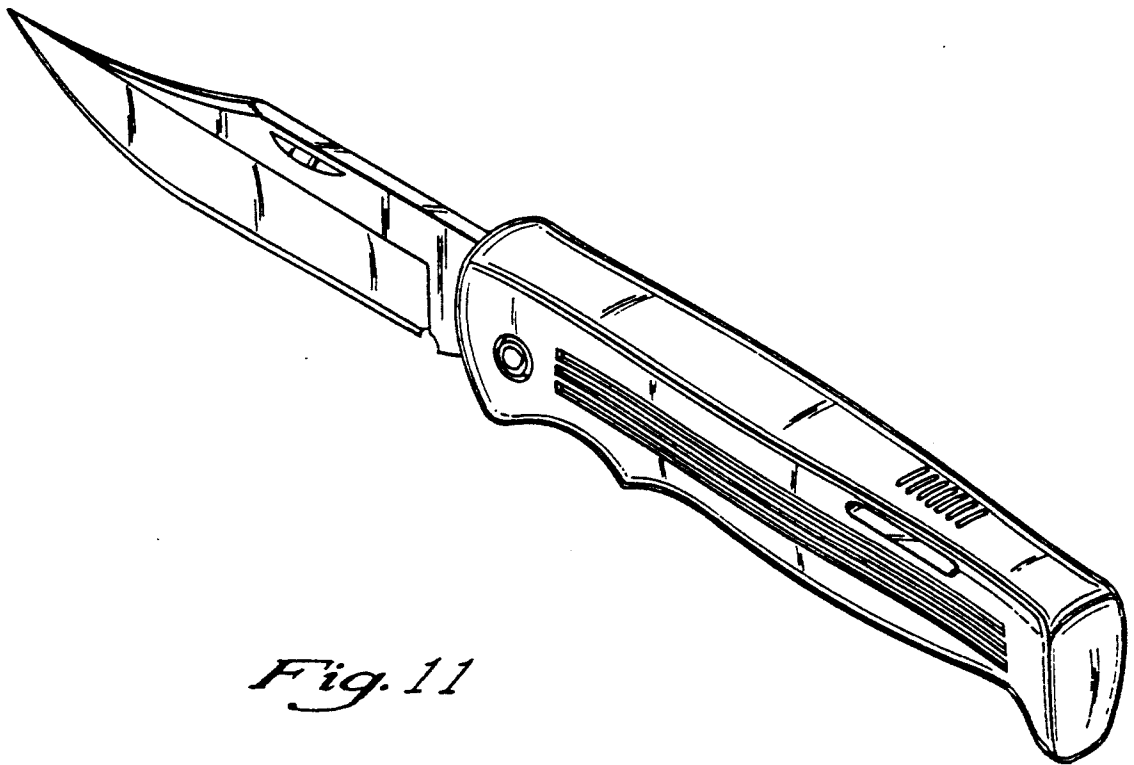


Fig. 11

Fig. 12

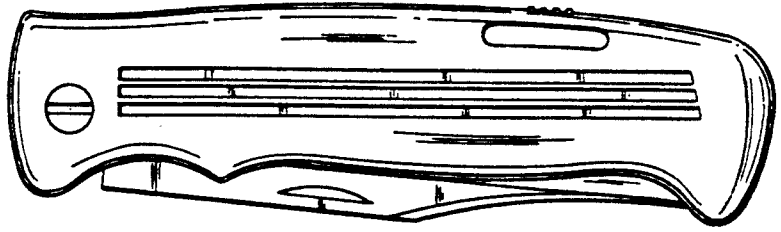


Fig. 13

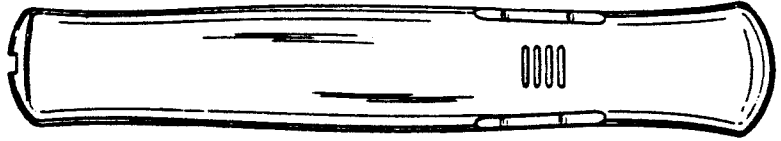


Fig. 14

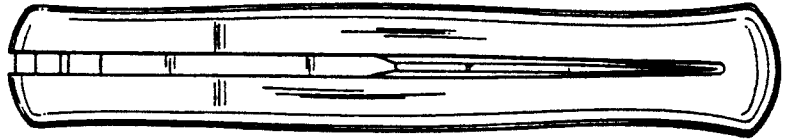


Fig. 15

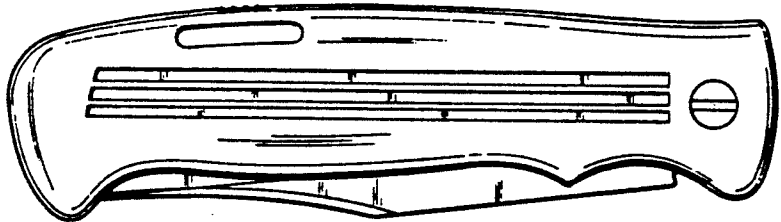


Fig. 16

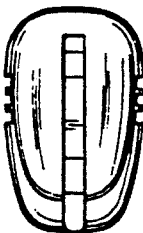


Fig. 17



Fig. 18

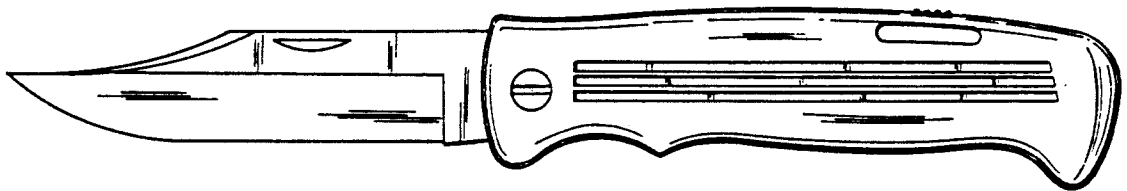


Fig. 20



Fig 21

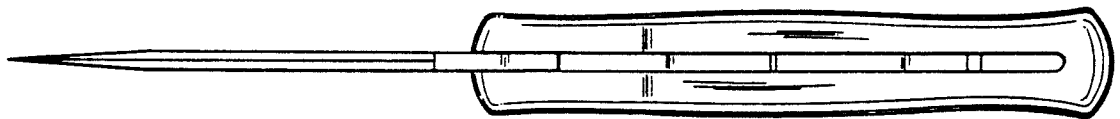


Fig. 19



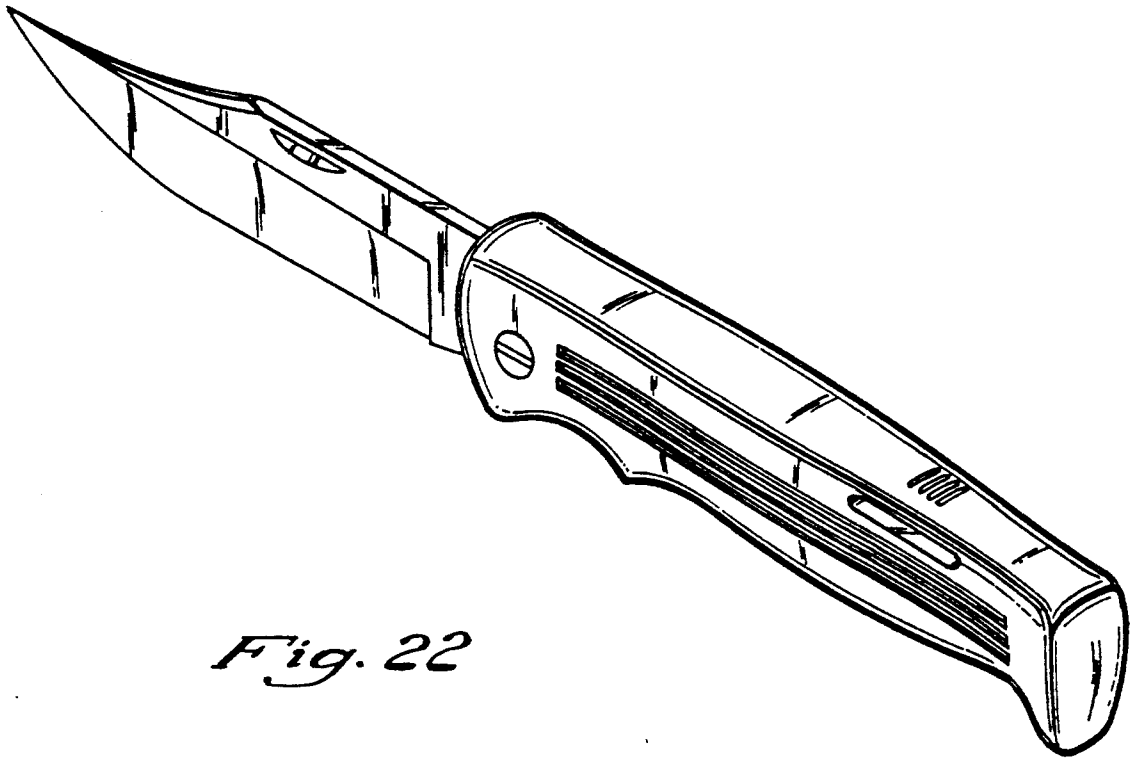


Fig. 22