



US00D744302S

(12) **United States Design Patent**
Westgard et al.

(10) **Patent No.:** **US D744,302 S**

(45) **Date of Patent:** **** Dec. 1, 2015**

(54) **SIFTING IMPLEMENT**

(71) Applicant: **Carl T. Westgard**, Golden, CO (US)

(72) Inventors: **Carl T. Westgard**, Golden, CO (US);
Marc Hanchak, Denver, CO (US);
Shane Korthuis, Denver, CO (US)

(73) Assignee: **Carl T. Westgard**, Golden, CO (US)

(**) Term: **14 Years**

(21) Appl. No.: **29/490,092**

(22) Filed: **May 6, 2014**

(51) **LOC (10) Cl.** **08-01**

(52) **U.S. Cl.**
USPC **D8/1; D7/667**

(58) **Field of Classification Search**
USPC D8/1, 14; D7/667, 368, 669; D15/147;
209/370, 419, 179, 352, 404, 413, 420,
209/417
CPC B07B 1/02; B07B 1/04
See application file for complete search history.

(56) **References Cited**

U.S. PATENT DOCUMENTS

5,423,430 A 6/1995 Zaffiro et al.
D373,291 S 9/1996 Auken

5,622,266 A 4/1997 Curtis
D473,431 S * 4/2003 Schwamkrug D7/665
D512,284 S * 12/2005 Massey D8/1
D571,168 S 6/2008 Sais
8,113,355 B1 2/2012 Peterson
D666,086 S * 8/2012 Mundhra D7/667
2005/0284309 A1 * 12/2005 de Groote A47J 17/18
99/508

* cited by examiner

Primary Examiner — Terry Wallace

(74) *Attorney, Agent, or Firm* — Perkins Coie LLP

(57) **CLAIM**

The ornamental design for a sifting implement, as shown and described.

DESCRIPTION

FIG. 1 is a front isometric view of a sifting implement showing our new design.

FIG. 2 is a front elevation view thereof.

FIG. 3 is a back elevation view thereof.

FIG. 4 is a left side elevation view thereof.

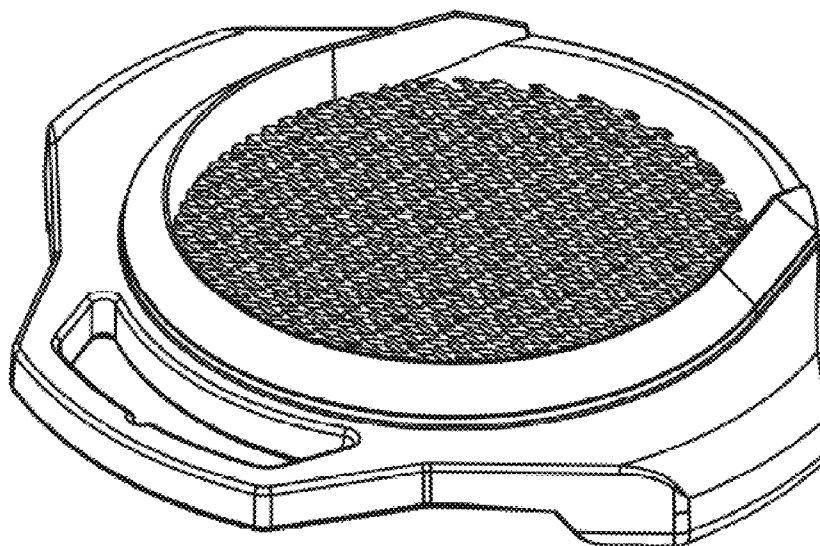
FIG. 5 is a right side elevation view thereof.

FIG. 6 is a top plan view thereof; and,

FIG. 7 is a bottom plan view thereof.

Any broken lines in the Figures are for illustrative purposes only and form no part of the claimed design.

1 Claim, 7 Drawing Sheets



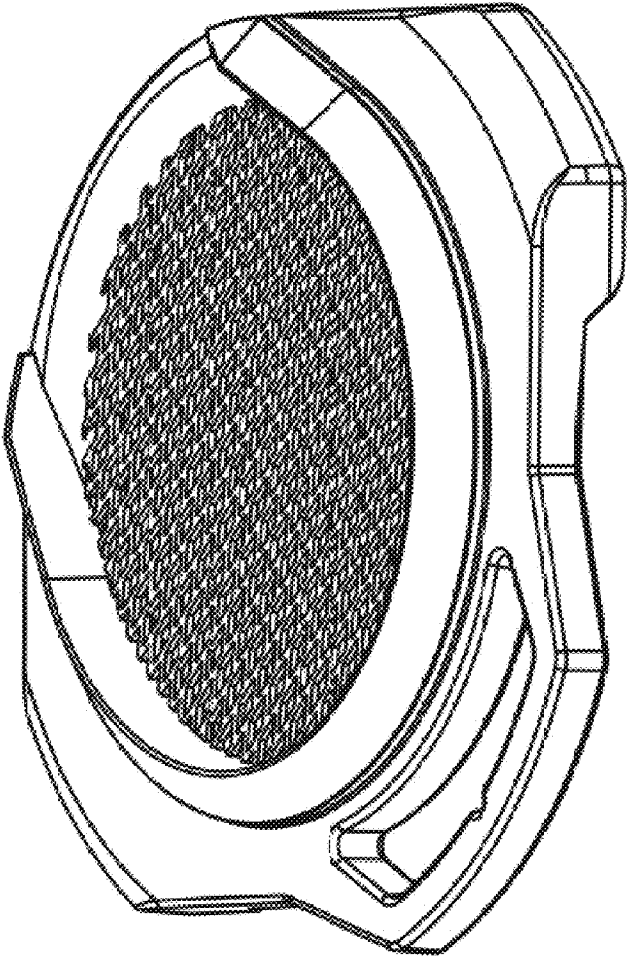


FIG. 1

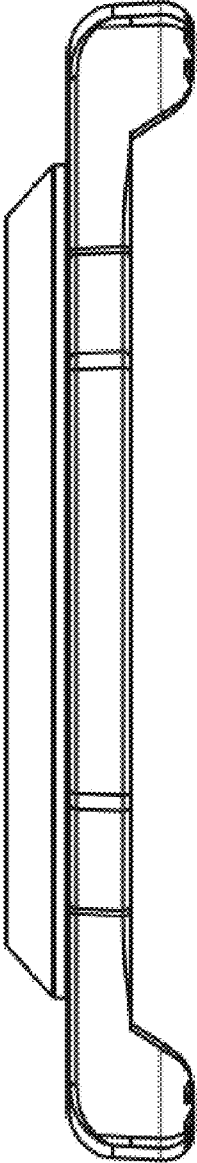


FIG. 2

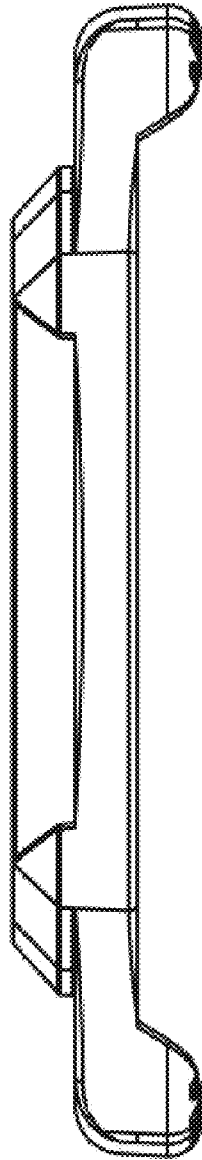


FIG. 3

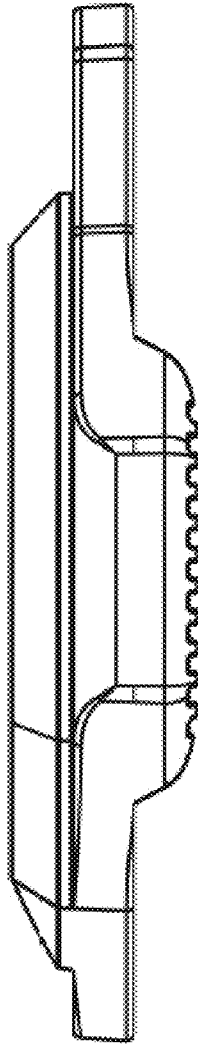


FIG. 4

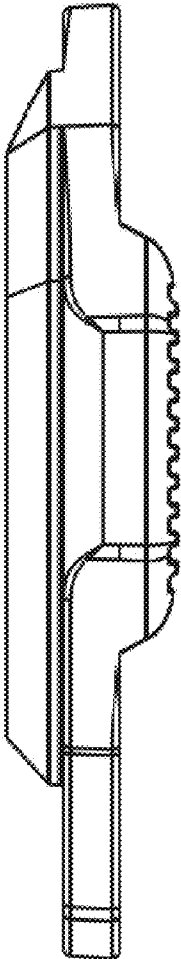


FIG. 5

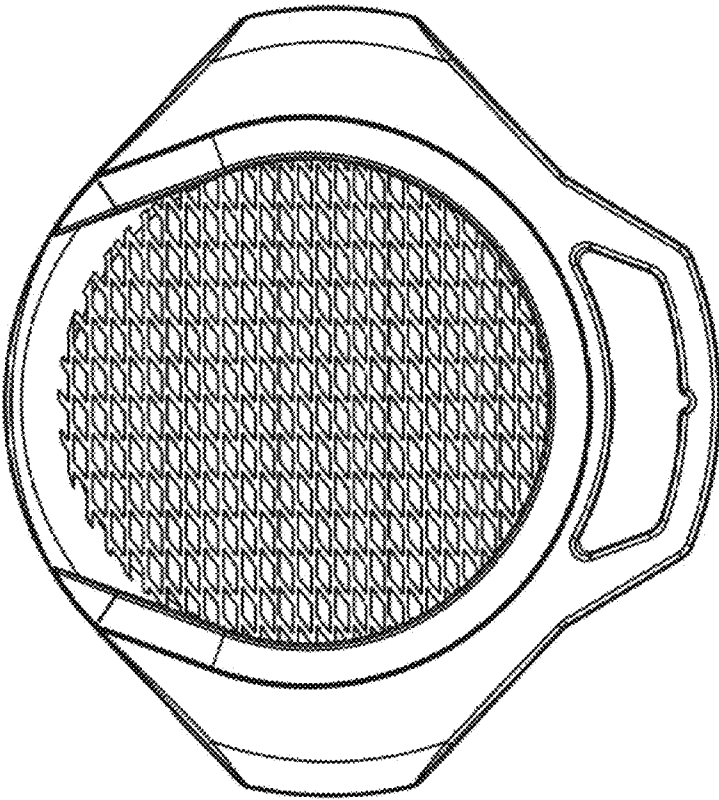


FIG. 6

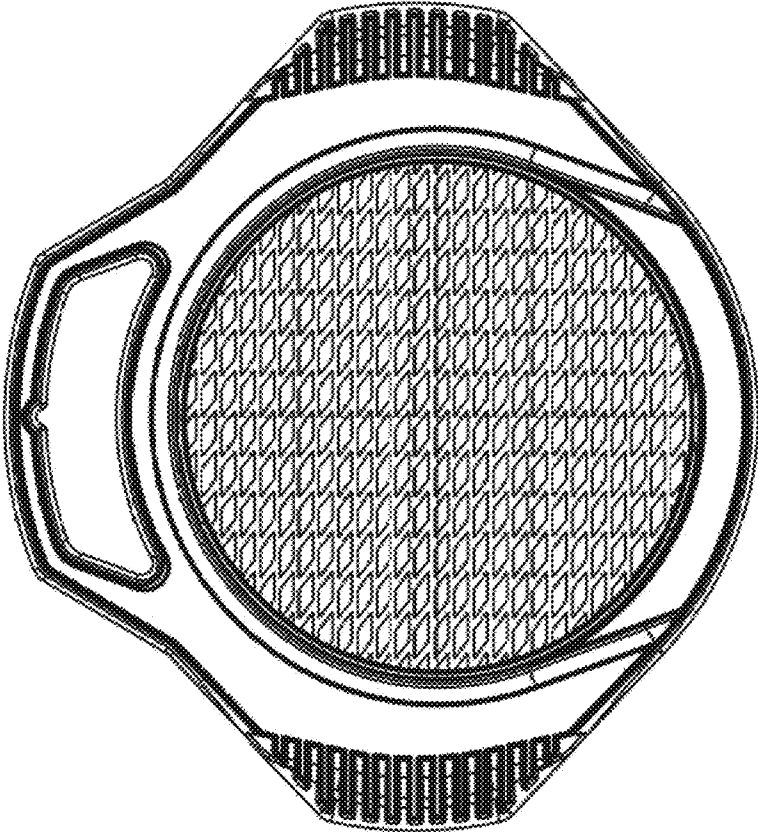


FIG. 7