



US00D443798S

(12) **United States Design Patent** (10) **Patent No.:** **US D443,798 S**
Tucker et al. (45) **Date of Patent:** **** Jun. 19, 2001**

(54) **CONTAINER FOR FOOD**
(75) Inventors: **Edward Tucker**, Romeoville, IL (US);
Jim Warner, Hoboken; **Robert Croft**,
Jersey City, both of NJ (US); **Insun**
Yun, New York, NY (US)

3,448,888	6/1969	Smith et al. .	
3,452,896	7/1969	Elliot .	
4,373,642	2/1983	Wolters et al. .	
4,787,527 *	11/1988	Monetti	220/801 X
4,819,824	4/1989	Longbottom et al. .	
5,377,860	1/1995	Littlejohn et al. .	
5,624,051	4/1997	Ahern, Jr. et al. .	

(73) Assignee: **The Glad Products Company**,
Oakland, CA (US)

OTHER PUBLICATIONS

(*) Notice: This patent is subject to a terminal disclaimer.

Branson Ultrasonics Corporation, *Application*, print advertisement no date.
"Marketplace," *Restuarants & Institutions*, Apr. 17, 1989, p. 194.

(**) Term: **14 Years**

American Permanent Ware, *Steam Table Pans* print advertisement no date.

(21) Appl. No.: **29/125,897**

* cited by examiner

(22) Filed: **Jun. 30, 2000**

Primary Examiner—Terry A. Wallace
(74) *Attorney, Agent, or Firm*—Thomas C. Feix

(51) **LOC (7) Cl.** **07-01**

(52) **U.S. Cl.** **D7/629**

(58) **Field of Search** D7/602, 629, 538-542;
D9/415, 418, 423-425, 432; 220/662, 675,
780-783, 792-799, 805

(57) **CLAIM**

The ornamental design for a container for food, as shown and described.

(56) **References Cited**

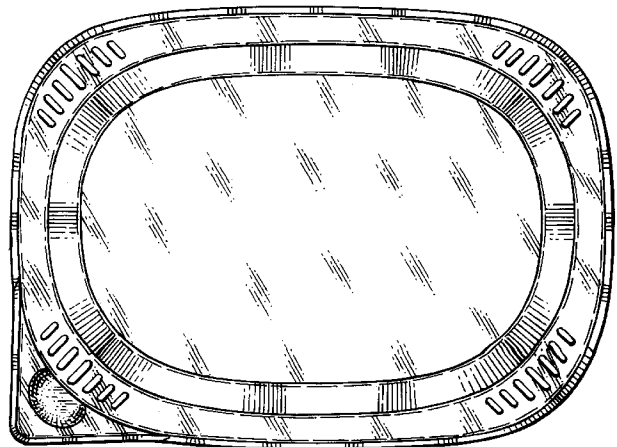
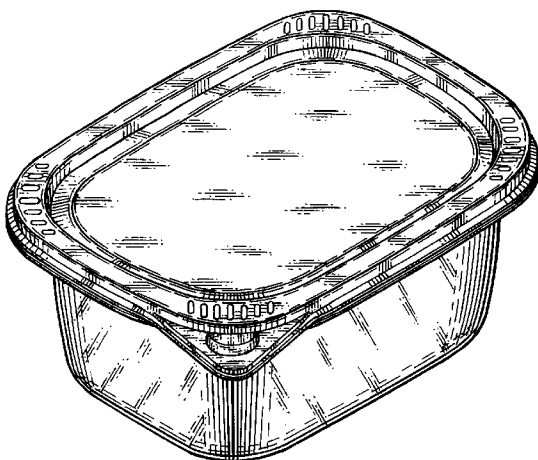
DESCRIPTION

U.S. PATENT DOCUMENTS

D. 272,595	2/1984	Chase et al. .
D. 285,906	9/1986	Tyler .
D. 313,556	1/1991	Smith .
D. 334,114	3/1993	Narsutis .
D. 336,850	6/1993	Guillin .
D. 379,431	5/1997	Mangla .
D. 388,325	12/1997	Tucker et al. .
D. 390,109	2/1998	Tucker et al. .
3,424,342	1/1969	Scopp et al. .
3,447,714	6/1969	Elliot .

FIG. 1 is a top perspective view of a container for food showing our new design;
FIG. 2 is a top plan view thereof;
FIG. 3 is a right side elevational view thereof;
FIG. 4 is a left side elevational view thereof;
FIG. 5 is a front elevational view thereof;
FIG. 6. is a rear elevational view thereof; and,
FIG. 7; is a bottom plan view thereof.

1 Claim, 3 Drawing Sheets



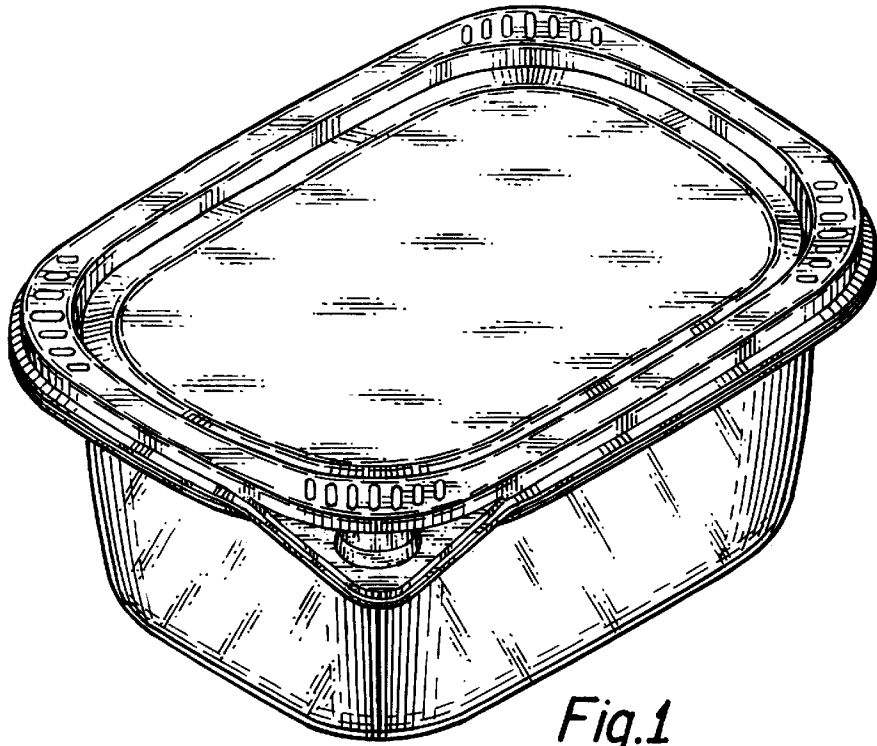


Fig.1

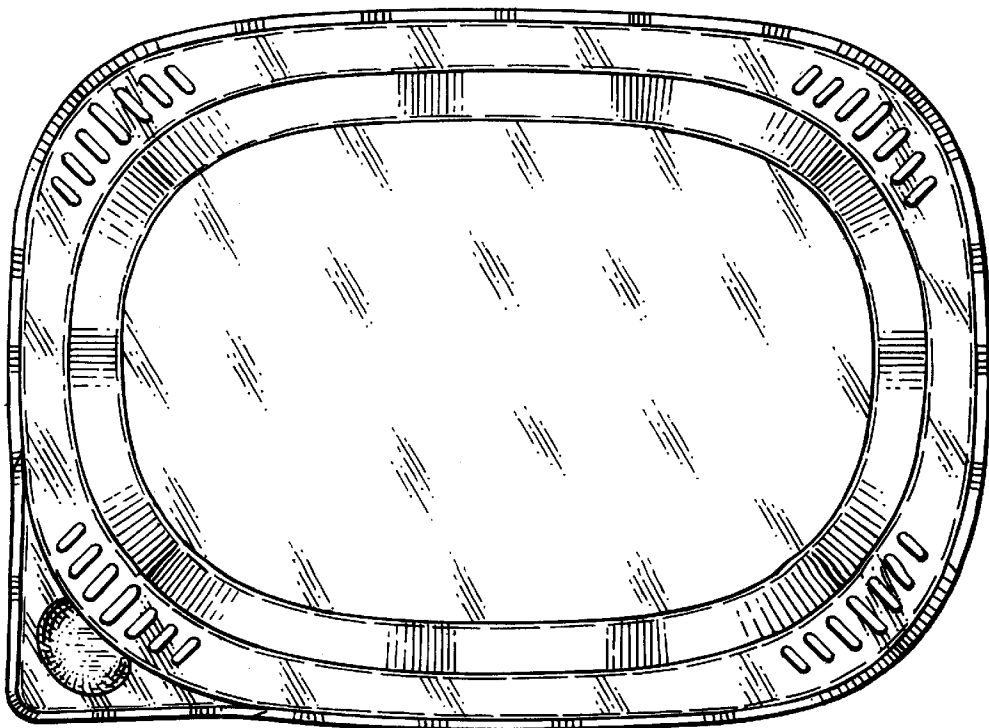


Fig.2

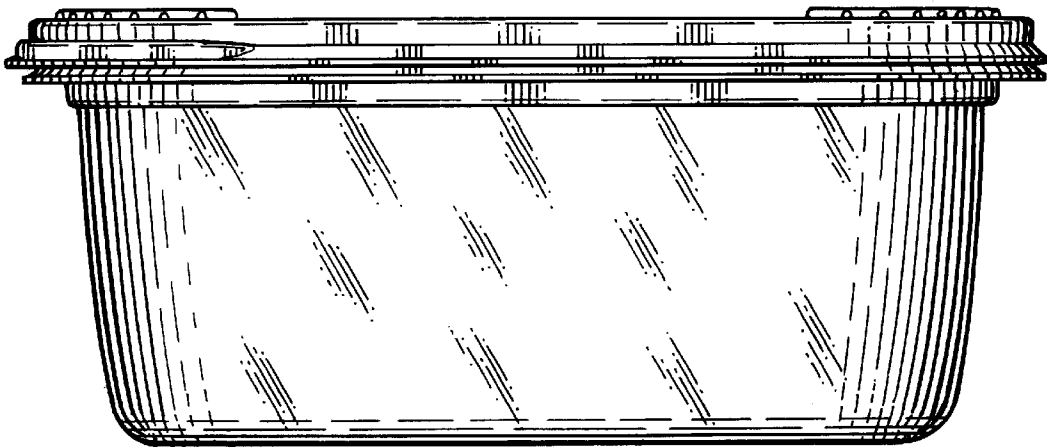


Fig.3

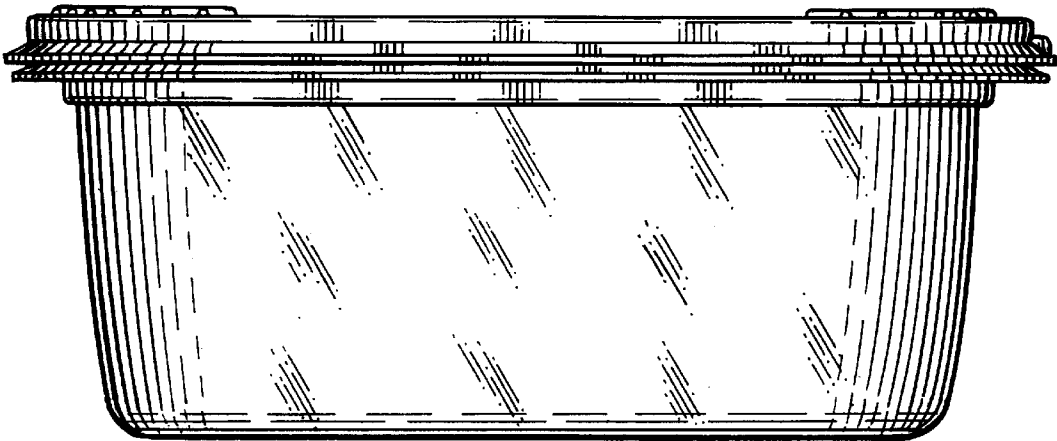


Fig.4

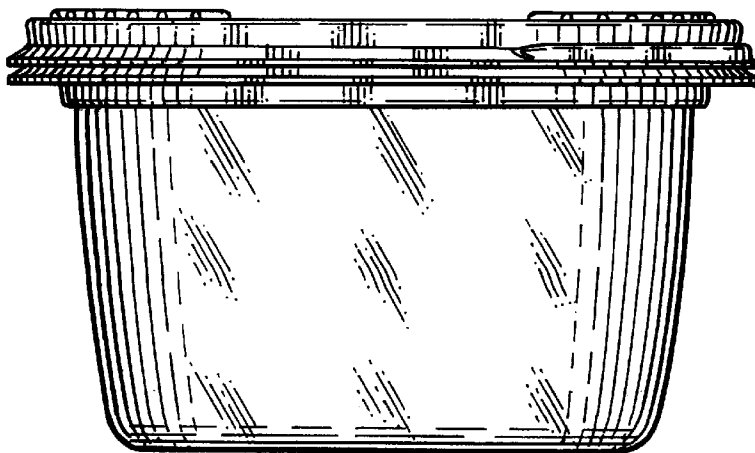


Fig.5

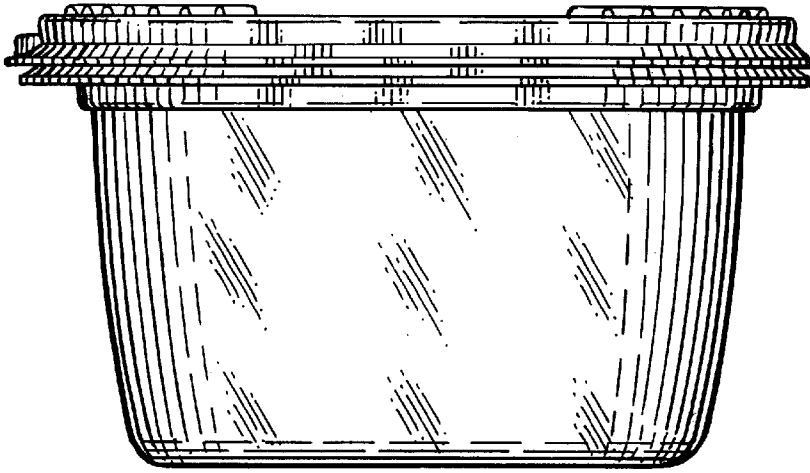


Fig.6

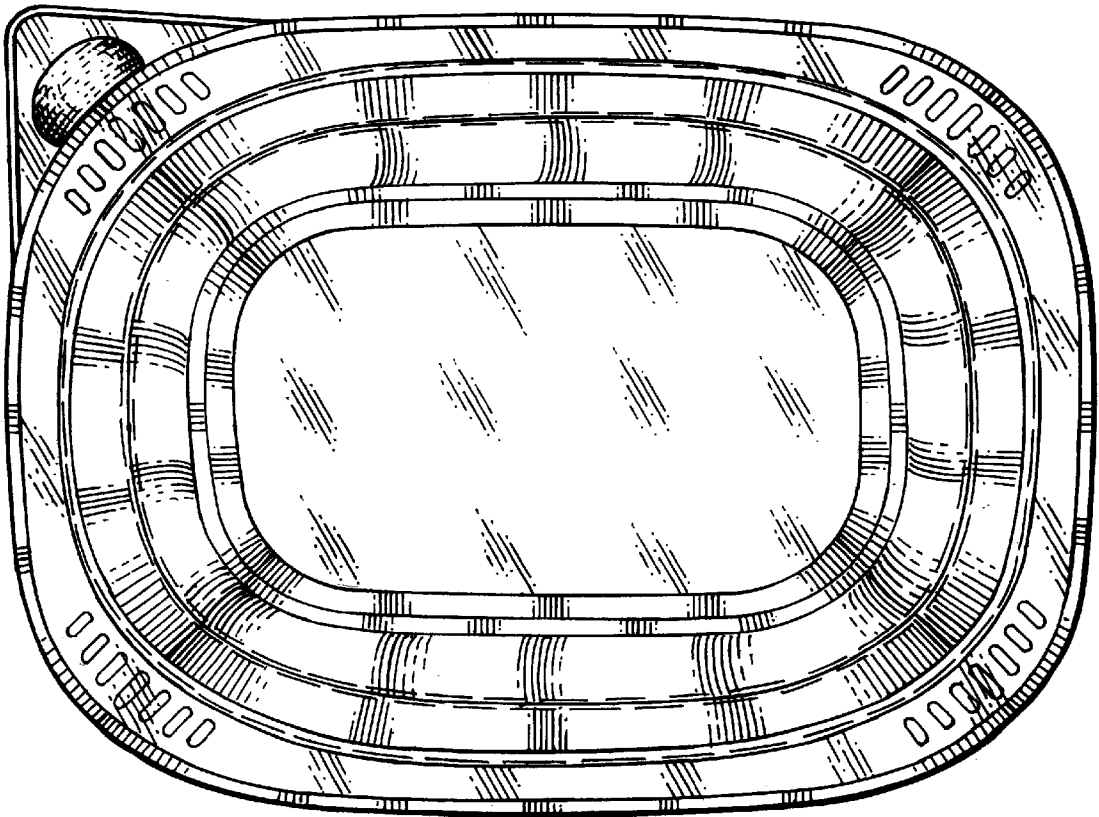


Fig.7