



US00D612181S

(12) **United States Design Patent**
Tanguay

(10) **Patent No.:** **US D612,181 S**

(45) **Date of Patent:** **** Mar. 23, 2010**

- (54) **VOMIT BAG HOLDING DEVICE**
- (75) Inventor: **Eric Tanguay**, Candiac (CA)
- (73) Assignee: **Hygie Canada Inc.**, Longueuil (Quebec) (CA)
- (**) Term: **14 Years**
- (21) Appl. No.: **29/337,808**
- (22) Filed: **May 29, 2009**

D481,236 S * 10/2003 Hunt D6/525
 D481,894 S * 11/2003 Hunt D6/525
 6,874,936 B2 4/2005 Gillis et al.
 7,029,463 B1 4/2006 Estudillo

FOREIGN PATENT DOCUMENTS

CN	200966771	10/2007
DE	4116596	12/1991
GB	2227728	8/1990
WO	9926868	6/1999

* cited by examiner

Primary Examiner—Brian N Vinson
(74) *Attorney, Agent, or Firm*—Ogilvy Renault, LLP

- (51) **LOC (9) Cl.** **23-02**
- (52) **U.S. Cl.** **D6/524**
- (58) **Field of Classification Search** D6/524,
 D6/525, 566; D7/500, 505, 555, 601, 701,
 D7/637; D11/131, 143, 146, 152; D28/73;
 47/41.1, 65.5, 66.1, 66.6, 66.7, 69; 211/13.1,
 211/69.1, 62, 70.6, 70.7
 See application file for complete search history.

(57) **CLAIM**

The ornamental design for a vomit bag holding device, as shown and described.

DESCRIPTION

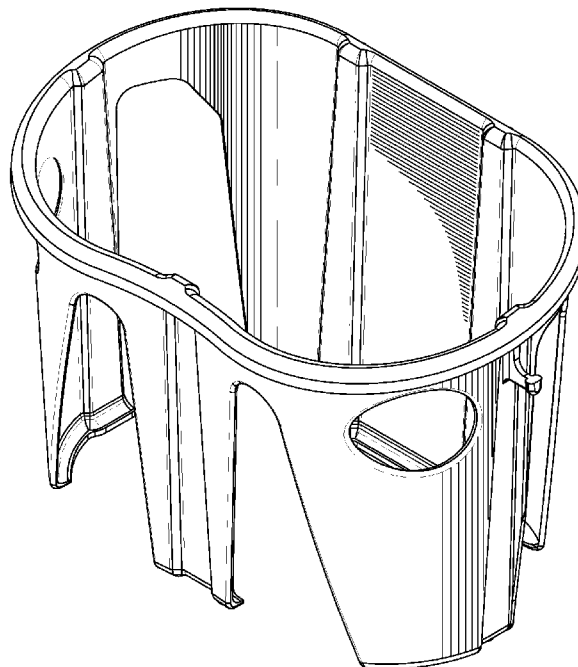
FIG. 1 is a perspective view of a vomit bag holding device, showing my new design;
 FIG. 2 is a left side view thereof, the right side being a mirror image thereof;
 FIG. 3 is a front view thereof;
 FIG. 4 is a rear view thereof;
 FIG. 5 is a top view thereof;
 FIG. 6 is a bottom view thereof; and,
 FIG. 7 is a perspective view of the vomit bag holding device shown in FIG. 1 having a vomit bag mounted thereto.
 The parts shown in broken lines are environmental only and form no part of the claimed design.

(56) **References Cited**

U.S. PATENT DOCUMENTS

- | | | | |
|--------------|---------|--------------|--------|
| 3,161,891 A | 12/1964 | Bauman | |
| 3,177,500 A | 4/1965 | Bauman | |
| 3,679,125 A | 7/1972 | Florance | |
| 3,920,179 A | 11/1975 | Hall | |
| 4,305,161 A | 12/1981 | Diaz | |
| 4,610,039 A | 9/1986 | Stern | |
| 5,354,132 A | 10/1994 | Young et al. | |
| 5,409,473 A | 4/1995 | Rosenshein | |
| 5,647,670 A | 7/1997 | Iscovich | |
| 5,745,926 A | 5/1998 | Cailleteau | |
| D421,170 S * | 2/2000 | Siu | D6/566 |
| D429,934 S * | 8/2000 | Hofman | D6/525 |
| D452,355 S * | 12/2001 | Leyshon | D6/566 |

1 Claim, 7 Drawing Sheets



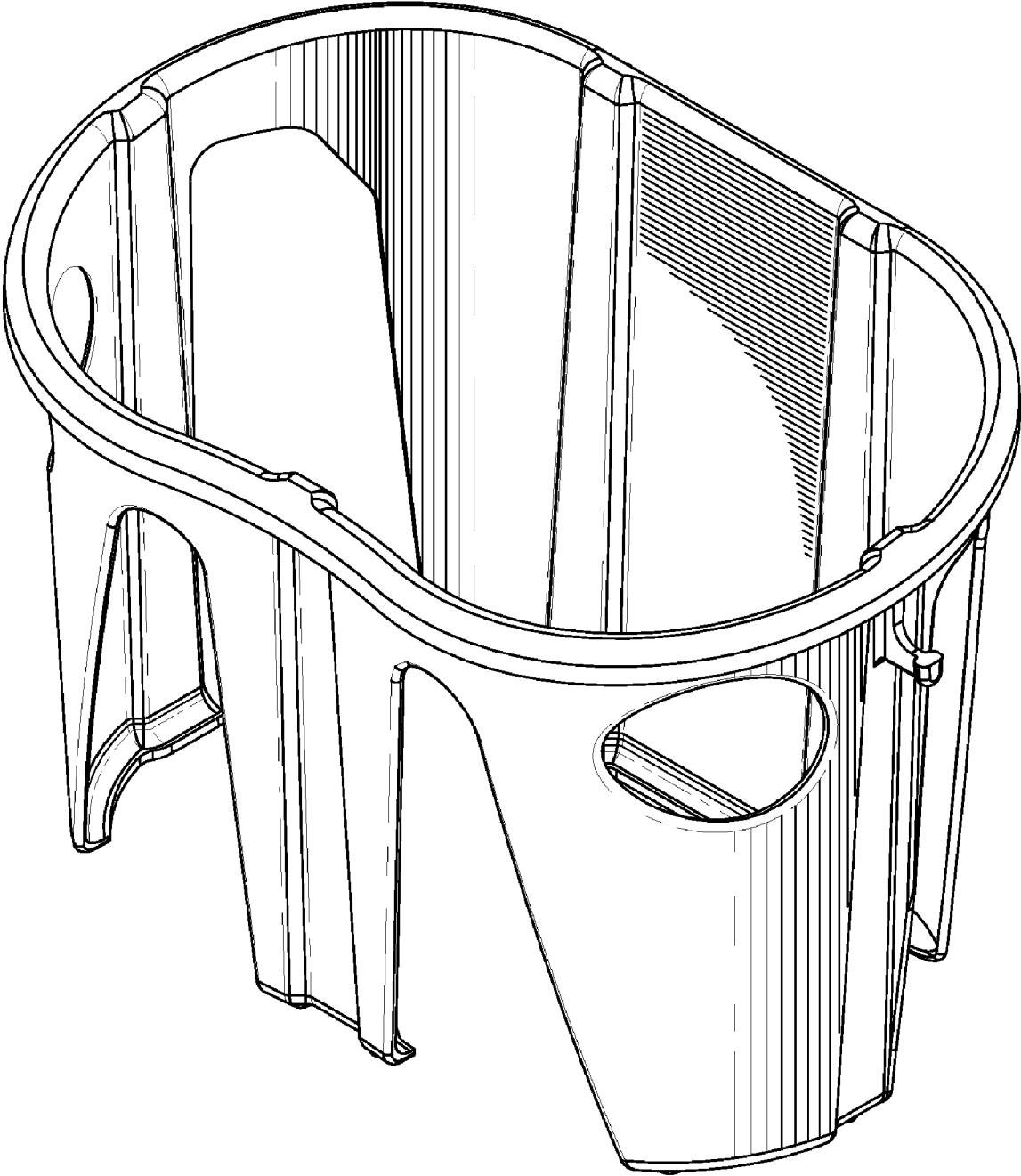


Fig-1

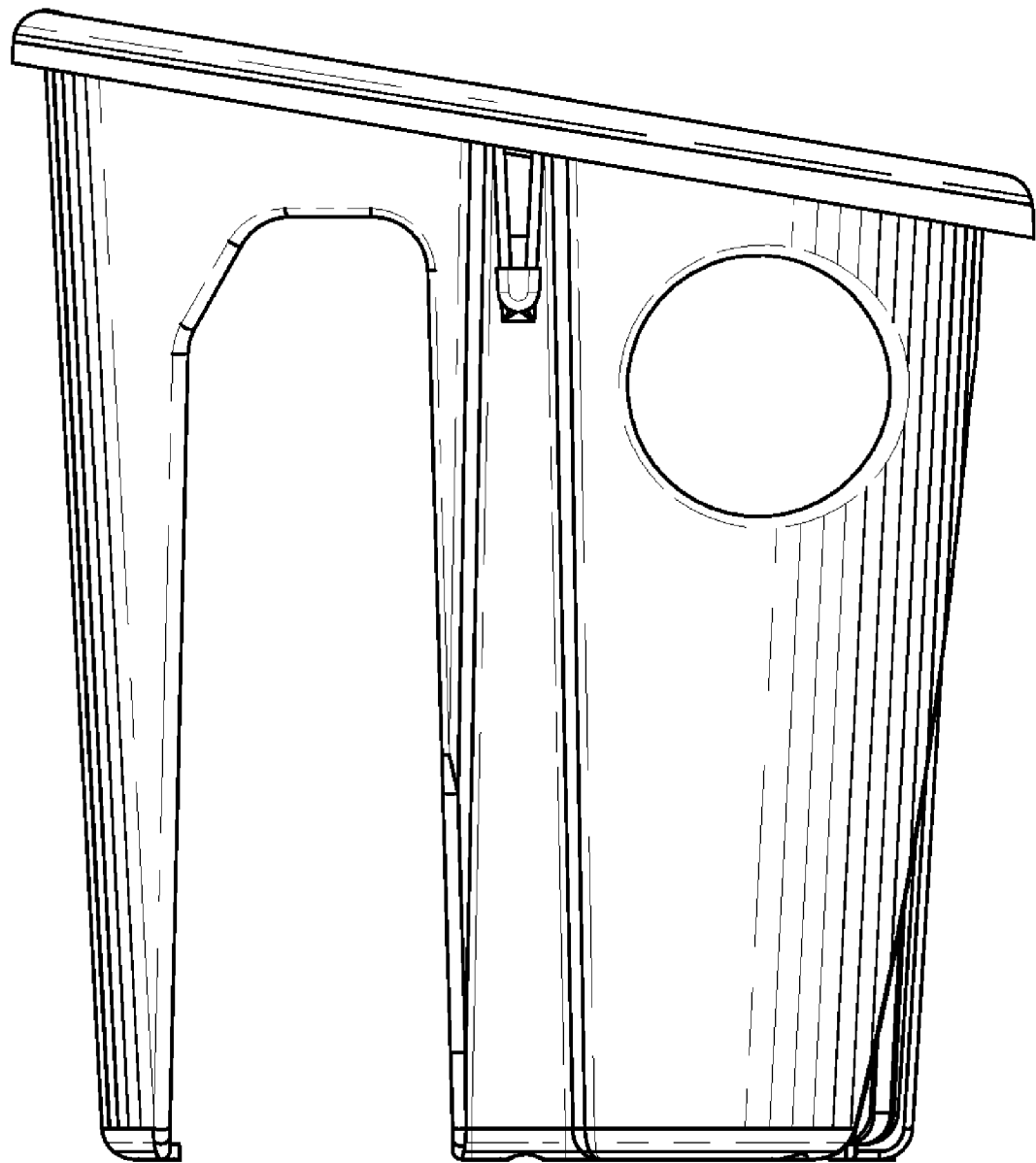


Fig. 2

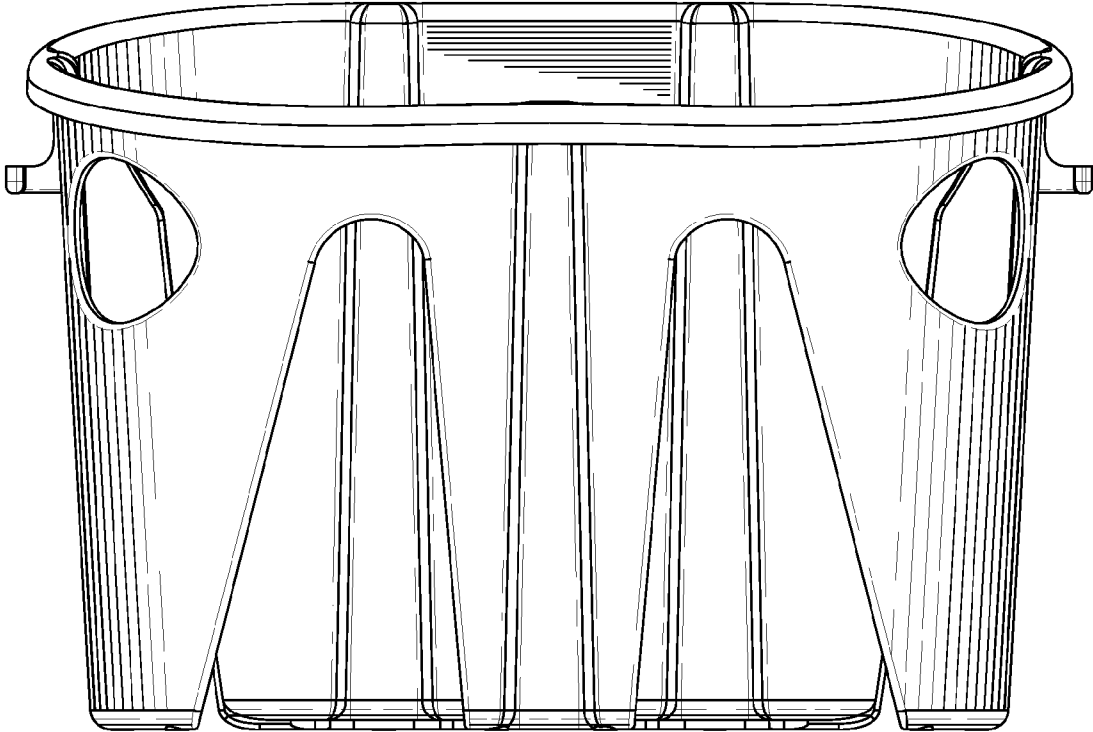


Fig-3

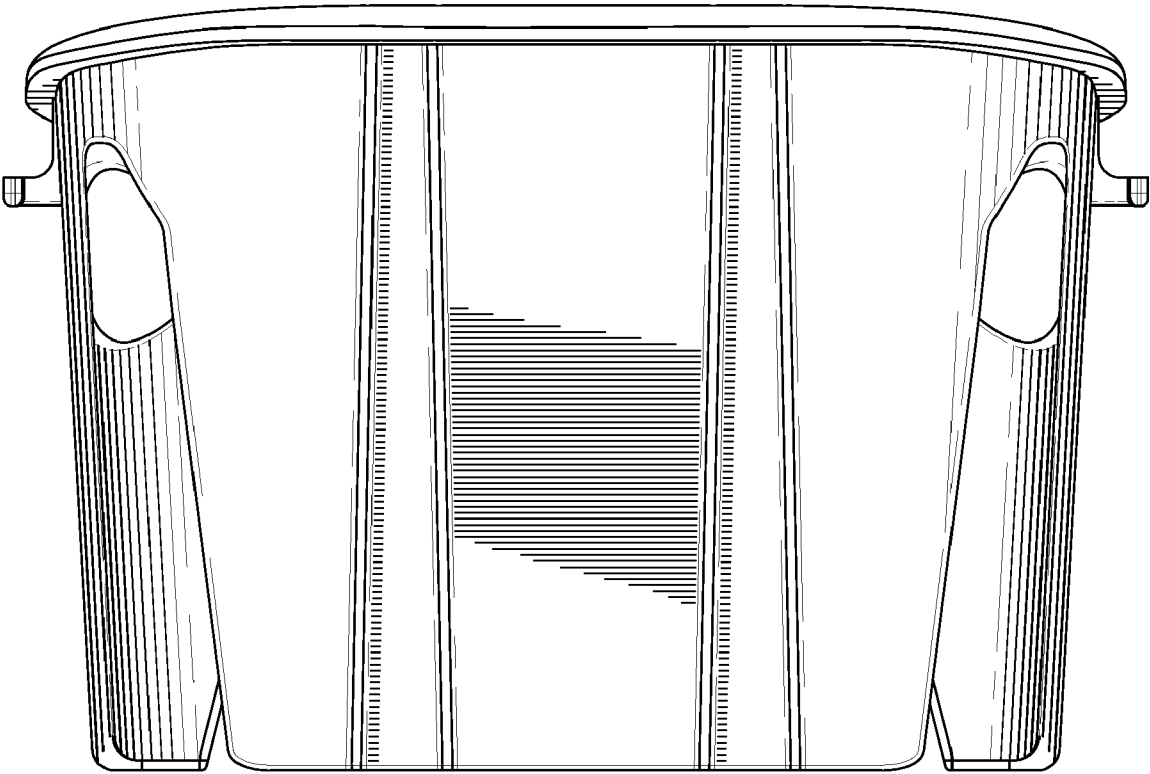


Fig-4

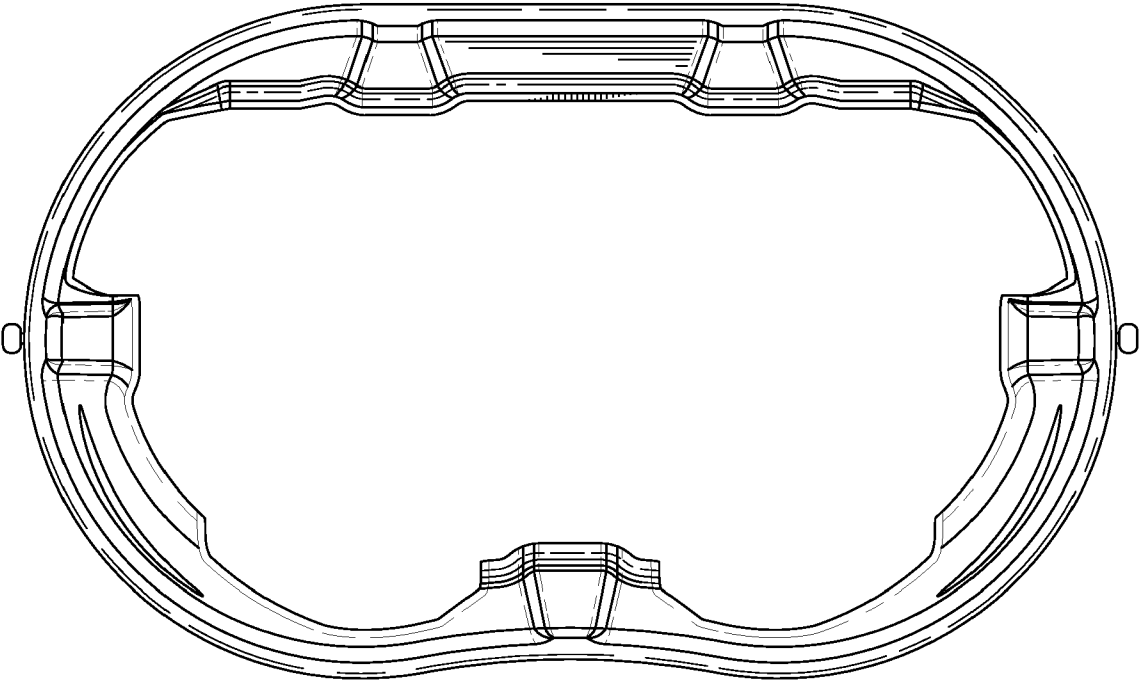


Fig-5

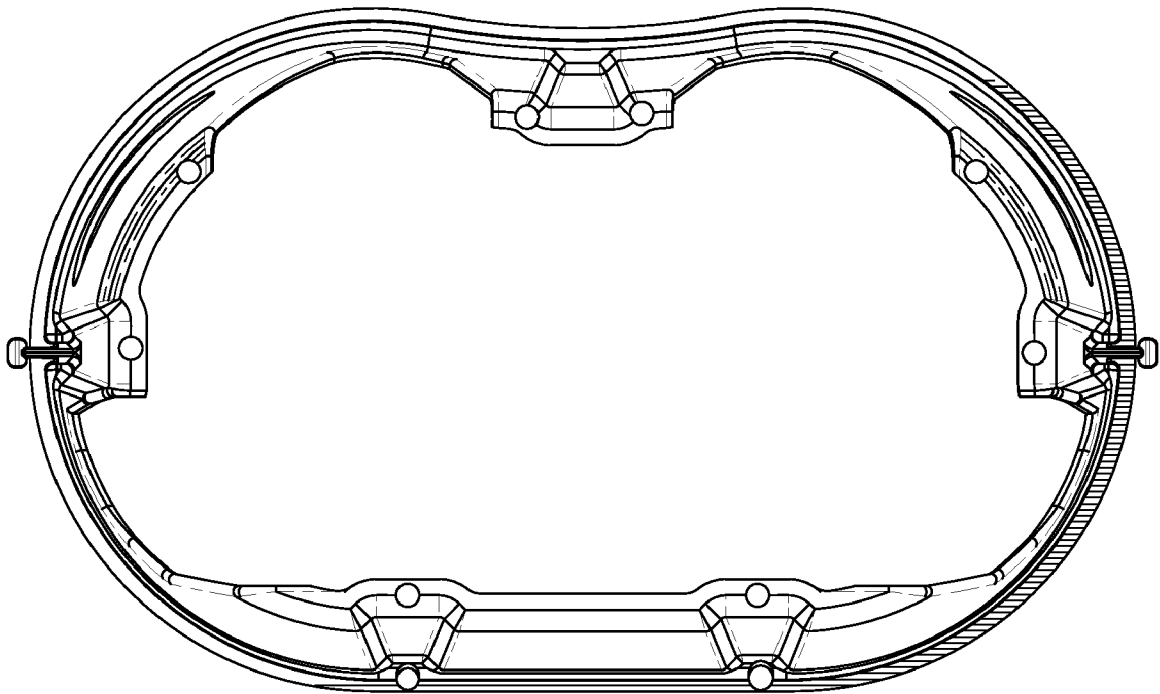


Fig. 6

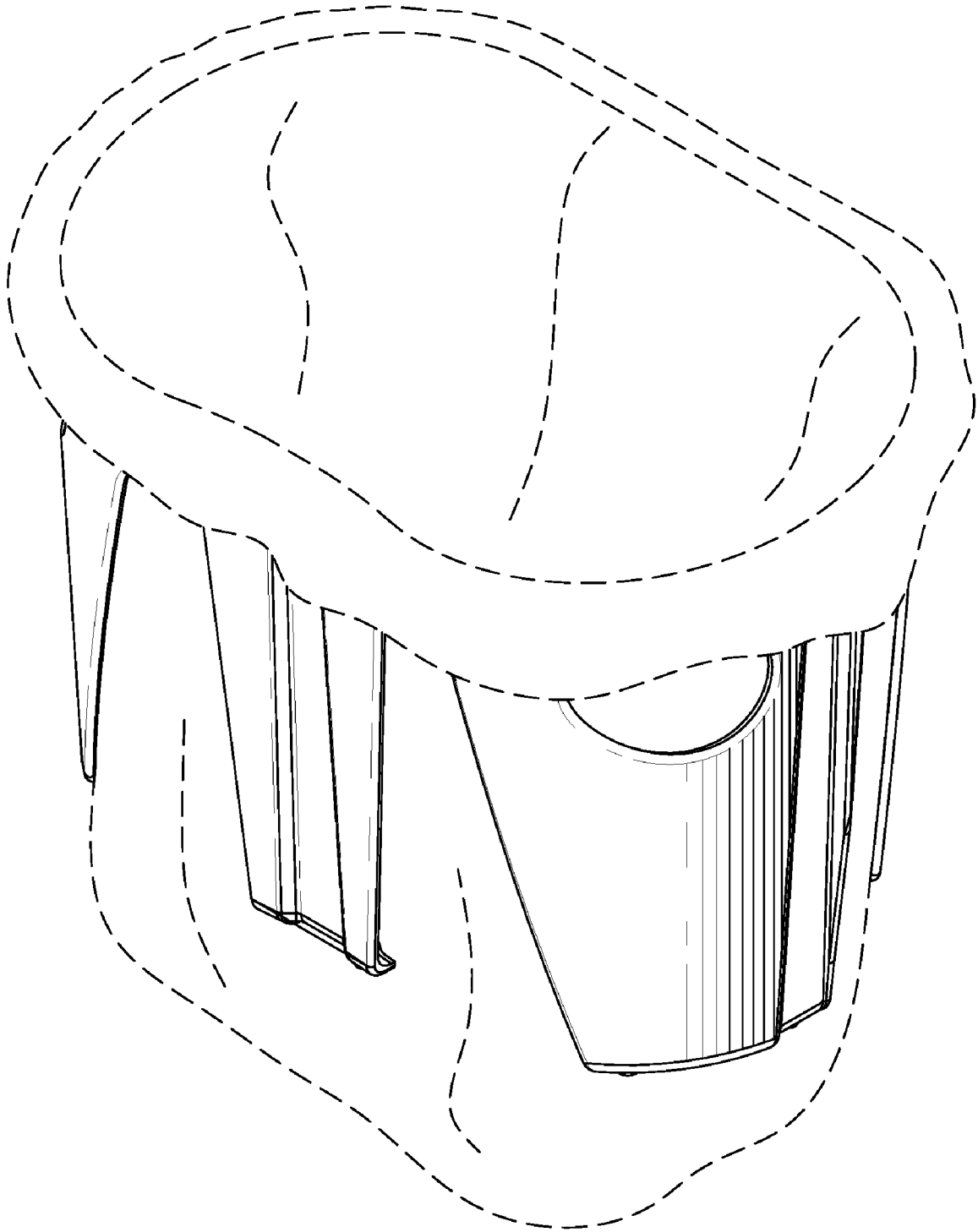


Fig-7