



US00D797302S

(12) **United States Design Patent**
Vahlensieck et al.

(10) **Patent No.:** **US D797,302 S**

(45) **Date of Patent:** **** Sep. 12, 2017**

(54) **DERMATOLOGICAL TREATMENT DEVICE**

(56) **References Cited**

(71) Applicant: **TRIA Beauty, Inc.**, Dublin, CA (US)

U.S. PATENT DOCUMENTS

(72) Inventors: **Jay Vahlensieck**, Livermore, CA (US);
Juan-Lorenzo Guillermo Rubi, Walnut
Creek, CA (US)

D672,507	S	*	12/2012	Szymanski	D24/133
D734,479	S	*	7/2015	Youngquist	D24/158
D747,800	S	*	1/2016	Dunleavy	D24/133
2013/0030506	A1	*	1/2013	Bartolone	A61N 5/0616 607/89

(73) Assignee: **CHANNEL INVESTMENTS, LLC**,
Tampa, FL (US)

* cited by examiner

(**) Term: **15 Years**

Primary Examiner — Wan Laymon

Assistant Examiner — Mark Booker

(21) Appl. No.: **29/565,042**

(74) *Attorney, Agent, or Firm* — Slayden Grubert Beard
PLLC

(22) Filed: **May 17, 2016**

(57) **CLAIM**

(51) **LOC (10) Cl.** **24-02**

The ornamental design for a dermatological treatment device, as shown and described.

(52) **U.S. Cl.**

DESCRIPTION

USPC **D24/209**

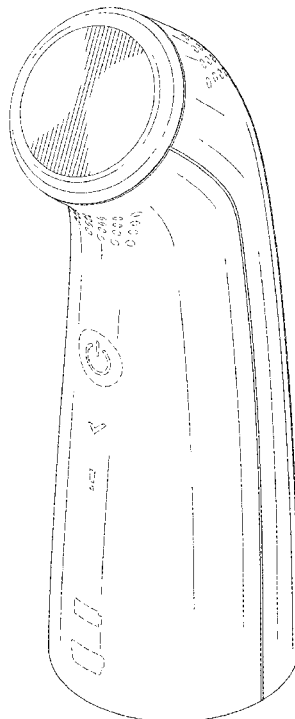
(58) **Field of Classification Search**

USPC D24/209, 107, 133, 135, 137, 158, 200,
D24/210, 231, 232; D28/9, 99, 58;
600/473, 476; 604/20, 21; 606/2, 9, 13,
606/14, 17, 33; 607/88–94

CPC A61Q 19/00; A61Q 19/007; A61Q 19/008;
A61B 2018/00452; A61B 2017/00747;
A61B 2017/00761; A61B 2018/202;
A61B 2018/2085; A61N 5/0616; A61N
2005/0644; A61N 2005/0659; A61N
1/0502; A61N 2005/0661; A61N 5/04;
A61N 1/28; A61N 2005/0654; A61N
2005/0662; A61N 2007/0034

See application file for complete search history.

1 Claim, 5 Drawing Sheets



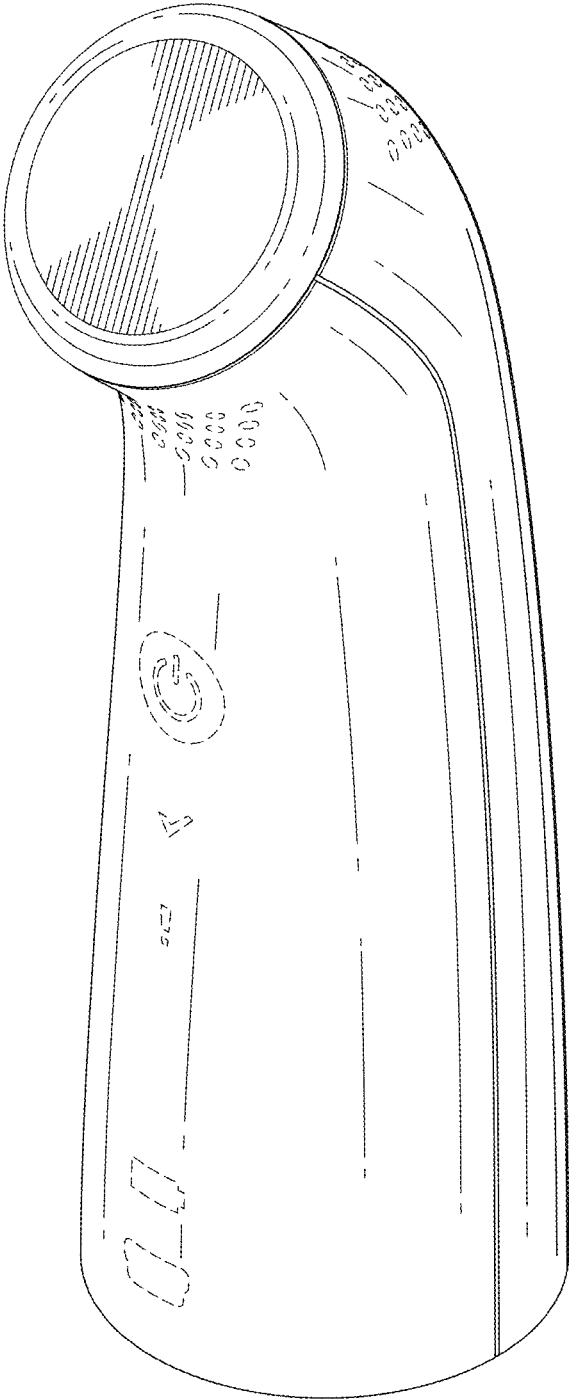


FIG. 1

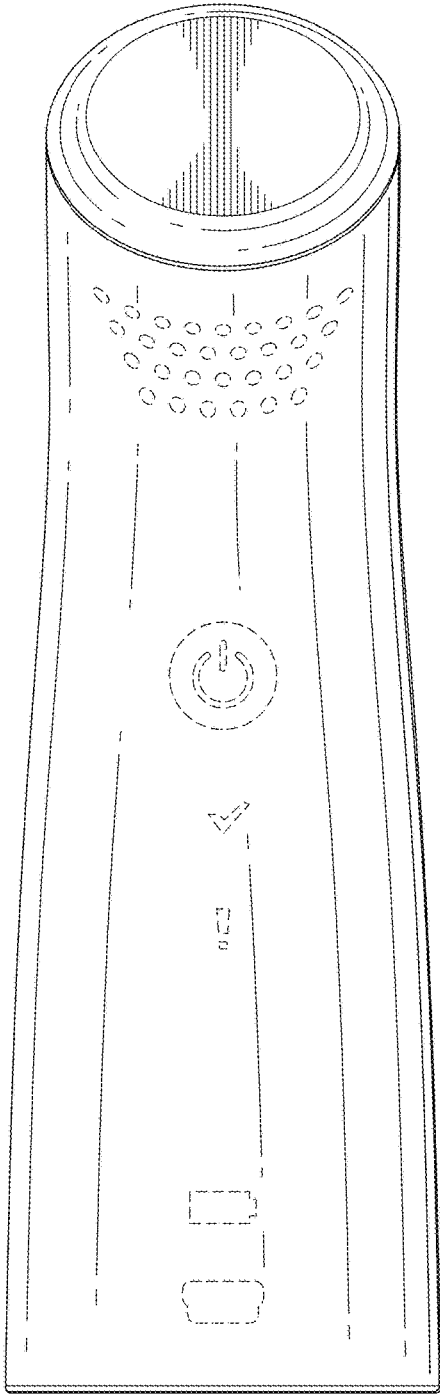


FIG. 2

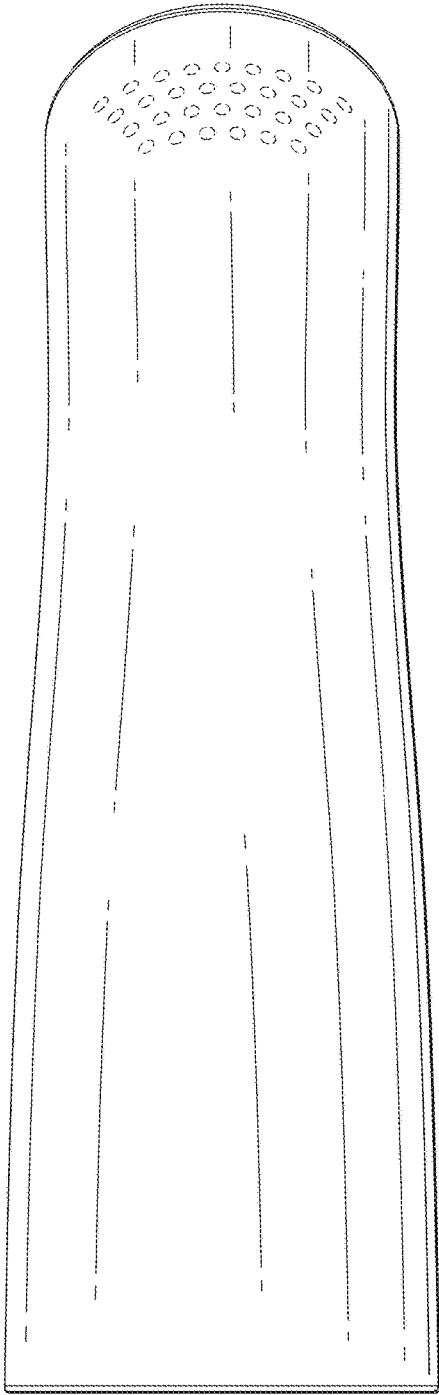


FIG. 3

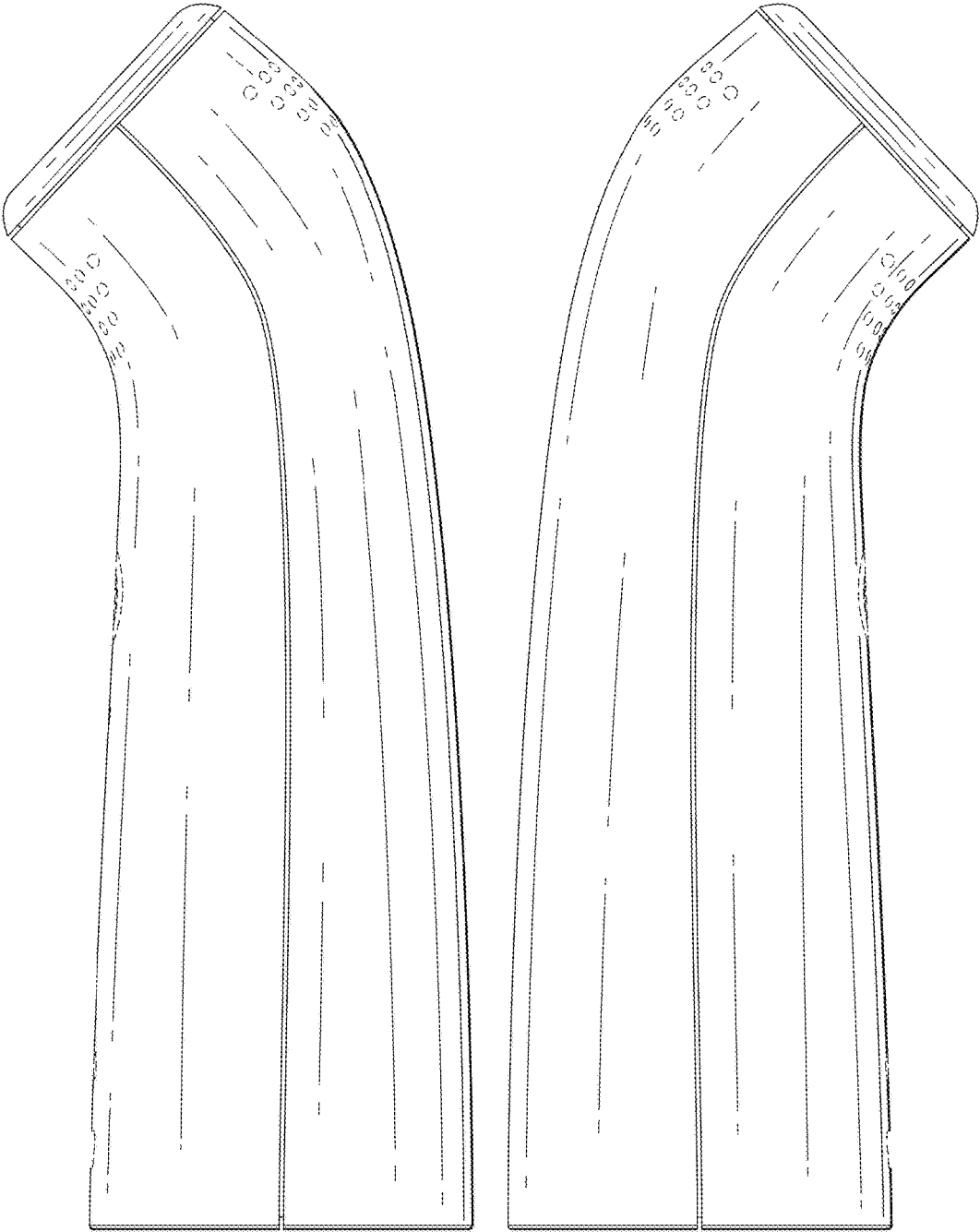


FIG. 4

FIG. 5

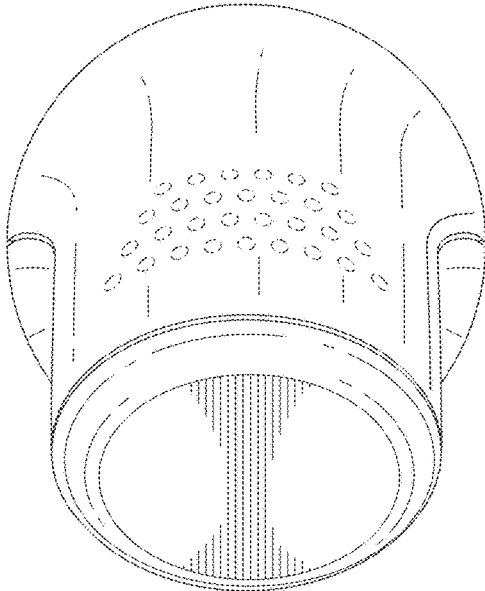


FIG. 6

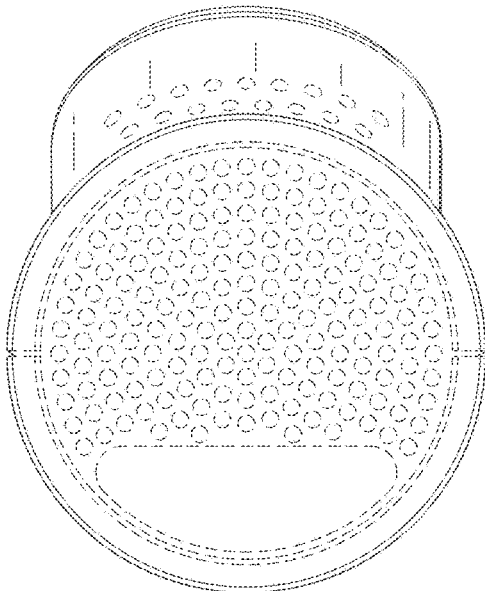


FIG. 7

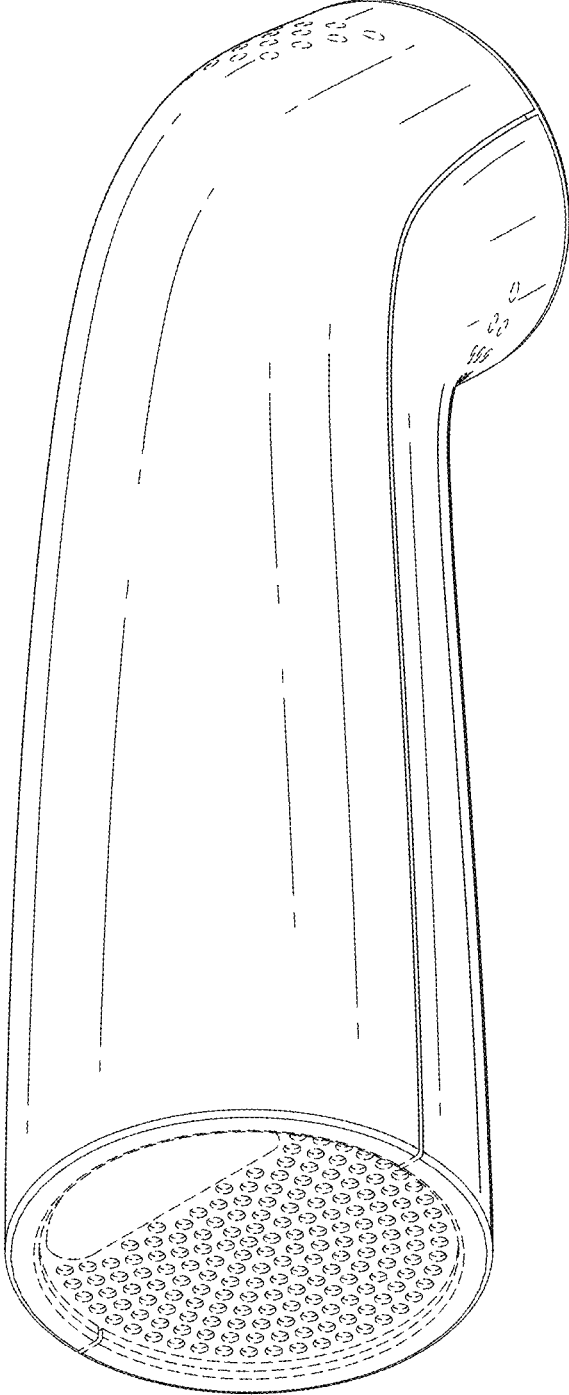


FIG. 8