

(12) UK Patent Application (19) GB (11) 2490844 (13) A

(43) Date of Reproduction by UK Office 14.11.2012

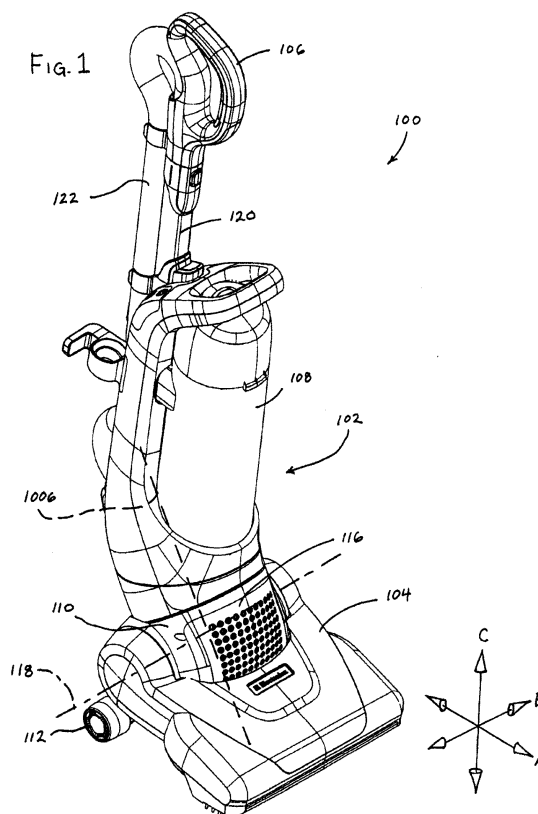
(21) Application No: 1215754.1
(22) Date of Filing: 10.03.2011
Date Lodged: 04.09.2012
(30) Priority Data:
(31) 12722877 (32) 12.03.2010 (33) US
(86) International Application Data:
PCT/US2011/027938 En 10.03.2011
(87) International Publication Data:
WO2011/112834 En 15.09.2011

(51) INT CL:
A47L 9/00 (2006.01) A47L 5/28 (2006.01)
(56) Documents Cited by ISA:
WO 2008/037955 A1 US 20090064449 A1
US 20090056065 A1 US 20080115313 A1
(58) Field of Search by ISA:
INT CL A47L
Other: PATBASE

(71) Applicant(s):
Electrolux Home Care Products, Inc.
10200 David Taylor Drive, Charlotte 28262,
North Carolina, United States of America
(72) Inventor(s):
Brian Vines
Donald Davidshofer
(74) Agent and/or Address for Service:
Withers & Rogers LLP
4 More London Riverside, LONDON, SE1 2AU,
United Kingdom

(54) Title of the Invention: Vacuum cleaner with movable wheel
Abstract Title: Vacuum cleaner with movable wheel

(57) A vacuum cleaner having a base with an air inlet, a handle, a base pivot connecting the base to the handle to permit the handle to pivot between an upright parked position and a reclined operating position, a movable wheel system and a wheel system drive member. The wheel system has a wheel carriage pivotally connected at one end to the base, and at least one wheel connected to the other end. The wheel carriage pivots between a first position in which the wheel is further from the air inlet, and a second position in which the wheel is closer to the air inlet. The drive member is on the handle and positioned to contact the wheel carriage as the handle moves from the upright parked position to the reclined operating position to thereby move the wheel carriage from the first position to the second position.



GB 2490844 A