



US00D568812S

(12) **United States Design Patent**
Andersson et al.

(10) **Patent No.:** **US D568,812 S**

(45) **Date of Patent:** **** May 13, 2008**

(54) **MOTOR**

(75) Inventors: **Jan Andersson**, Erlangen (DE); **Egbert Dargel**, Berlin (DE); **Michael Handwerker**, Bischofsheim (DE); **Christoph Nöth**, Burglauer (DE)

(73) Assignee: **Siemens Aktiengesellschaft**, München (DE)

(**) Term: **14 Years**

(21) Appl. No.: **29/238,931**

(22) Filed: **Sep. 22, 2005**

(30) **Foreign Application Priority Data**

Mar. 22, 2005 (EM) 000314596

(51) **LOC (8) Cl.** **13-02**

(52) **U.S. Cl.** **D13/114; D13/112**

(58) **Field of Classification Search** D13/112, D13/113, 114, 118, 122, 199; D15/5; 310/10, 310/40 R, 51, 58, 85, 89, 91, 236, 239, 254
See application file for complete search history.

(56) **References Cited**

U.S. PATENT DOCUMENTS

D136,504 S * 10/1943 Heintz D13/113
D137,665 S * 4/1944 Heintz D13/113
D173,758 S * 12/1954 Kerr D13/116
D205,662 S * 9/1966 Bluemink D13/112

D207,401 S * 4/1967 Andrews et al. D13/114
D236,005 S * 7/1975 Baumann D13/114
D236,985 S * 9/1975 Baumann D13/114
D275,198 S * 8/1984 Yokota et al. D15/1
D310,816 S * 9/1990 Sawato et al. D13/112
D314,550 S * 2/1991 Sieber D13/114
D336,890 S * 6/1993 Hirose et al. D13/112
D347,619 S * 6/1994 VanHorn et al. D13/113
6,215,214 B1 * 4/2001 Fisher et al. 310/89

* cited by examiner

Primary Examiner—Prabhakar Deshmukh

Assistant Examiner—Derrick Holland

(74) *Attorney, Agent, or Firm*—Henry M. Feiereisen; Ursula B. Day

(57) **CLAIM**

The ornamental design for a motor, as shown and described.

DESCRIPTION

FIG. 1 is a front elevational view of a motor showing my new design;

FIG. 2 is a rear elevational view thereof;

FIG. 3 is a top plan view thereof;

FIG. 4 is bottom plan view thereof;

FIG. 5 is a right side elevational view thereof;

FIG. 6 is a left side elevational view thereof; and,

FIG. 7 is perspective view thereof.

1 Claim, 7 Drawing Sheets

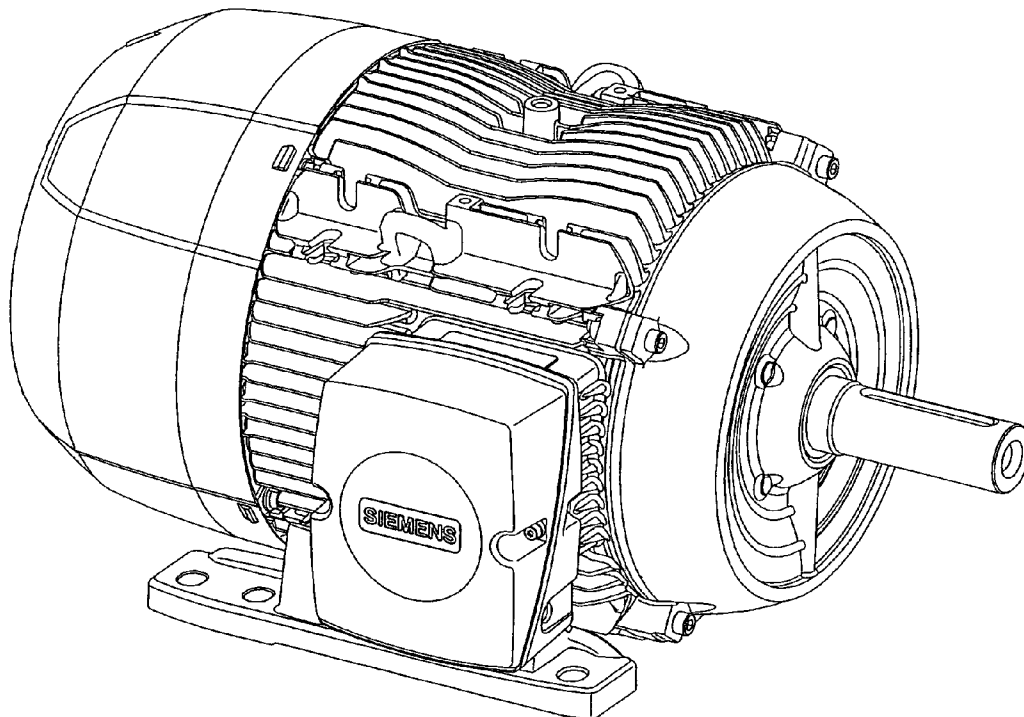


FIG 1

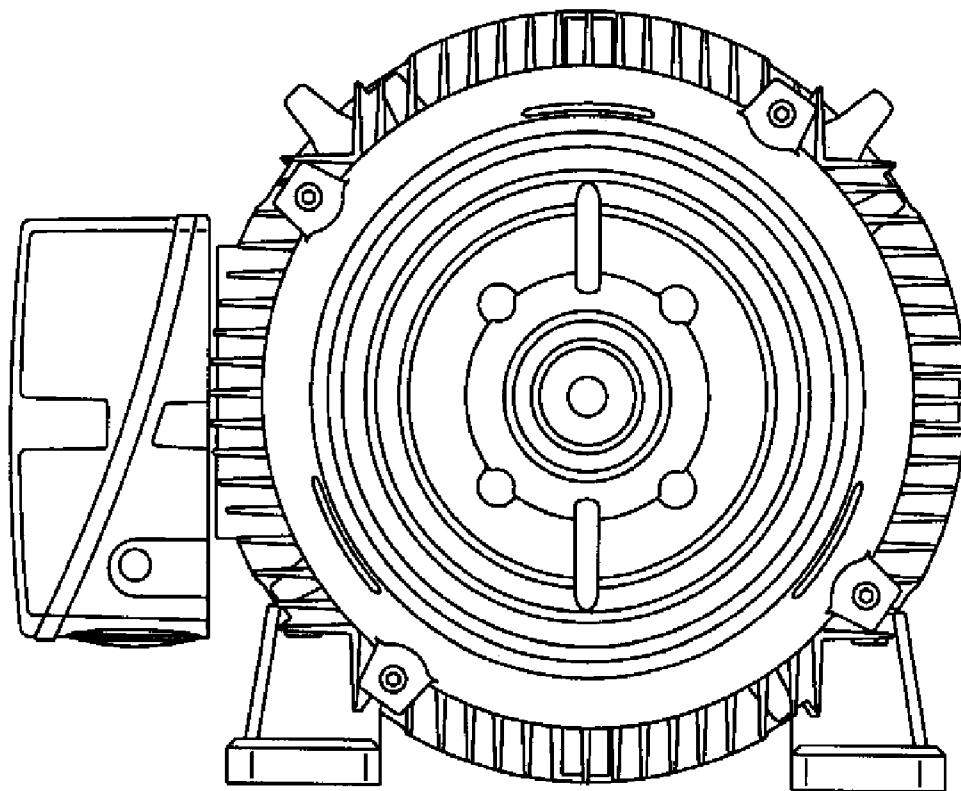


FIG 2

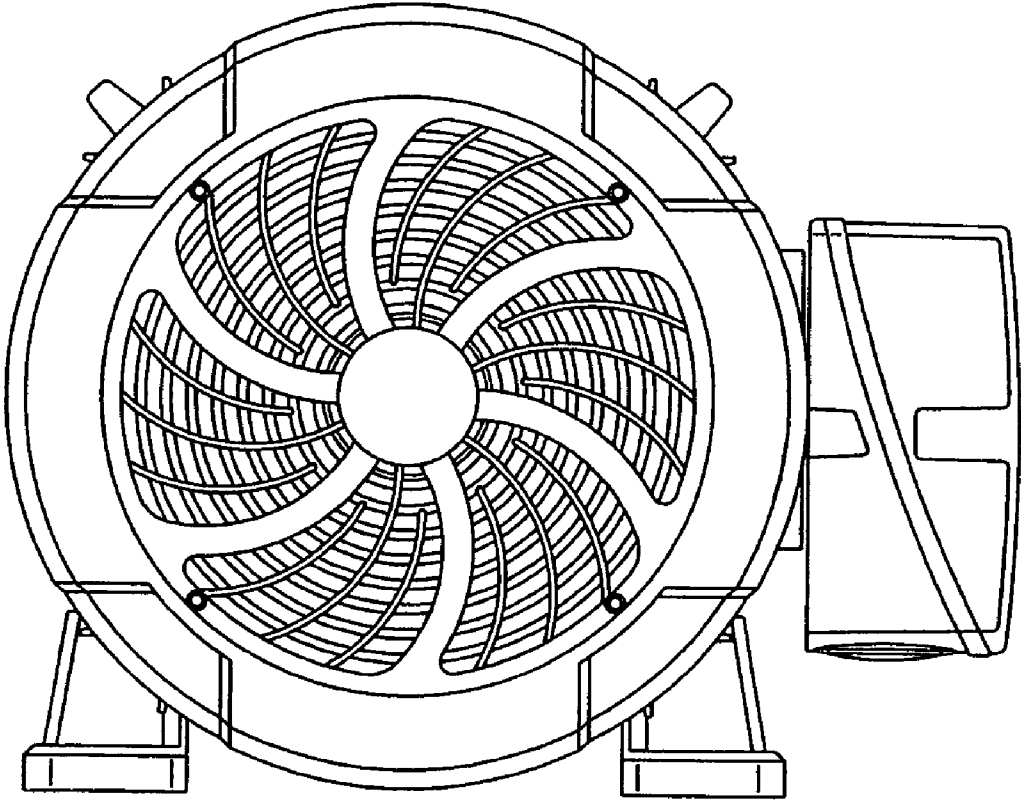


FIG 3

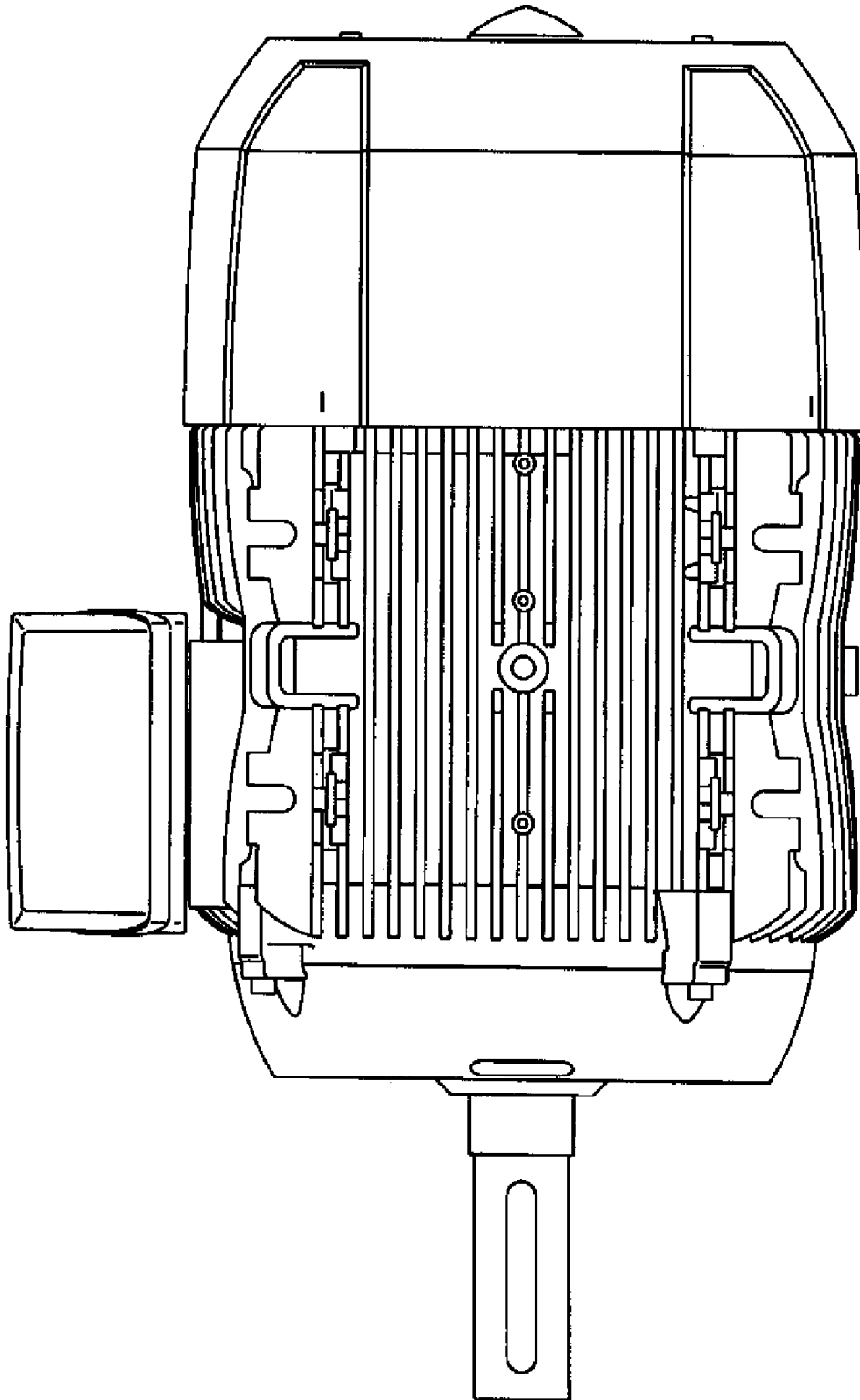


FIG 4

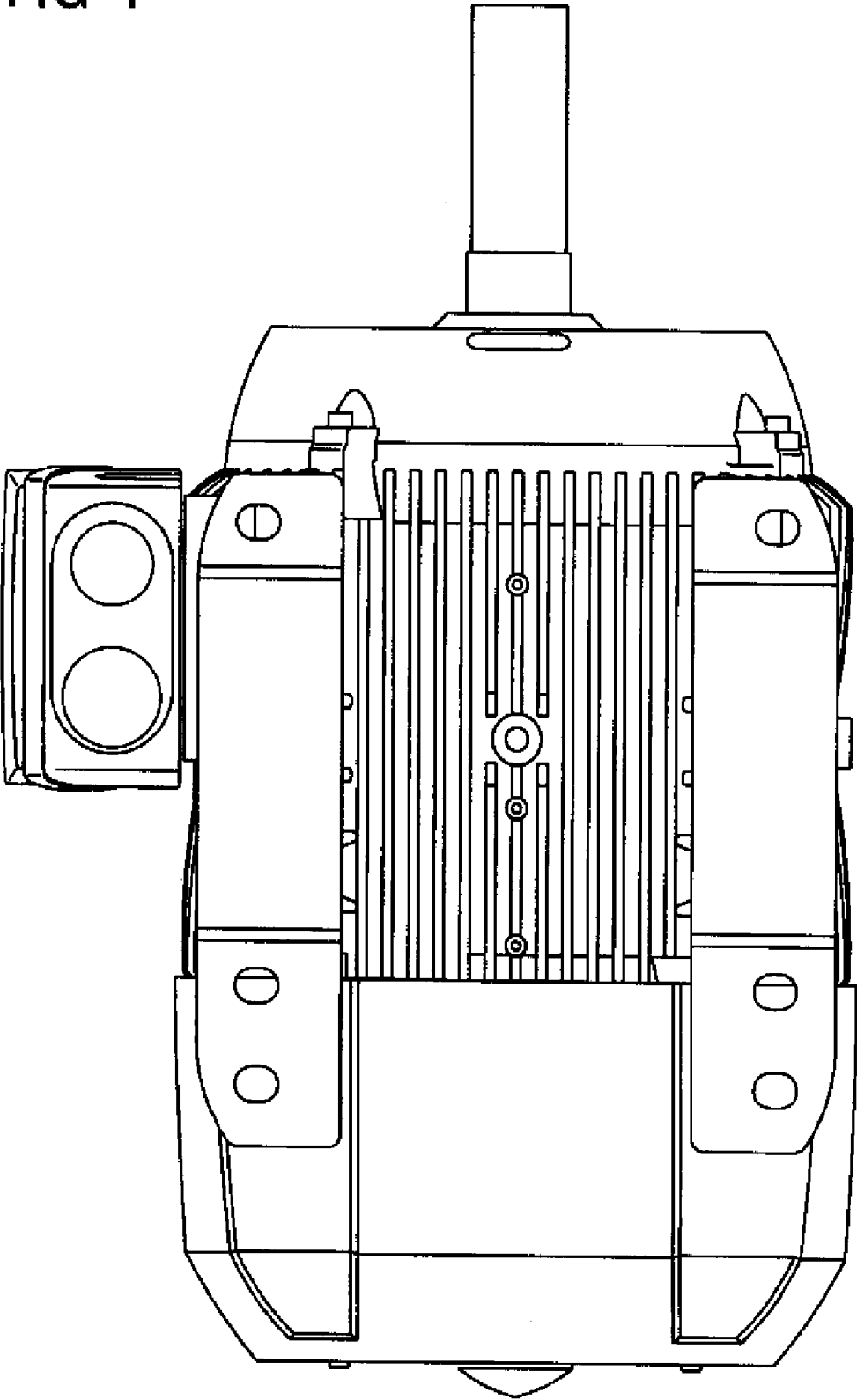


FIG 5

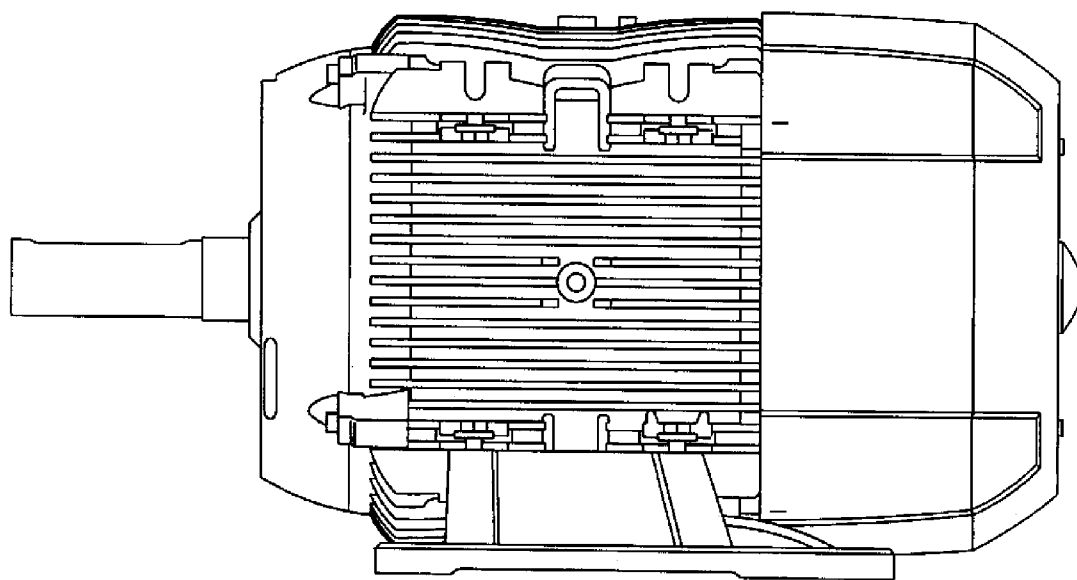


FIG 6

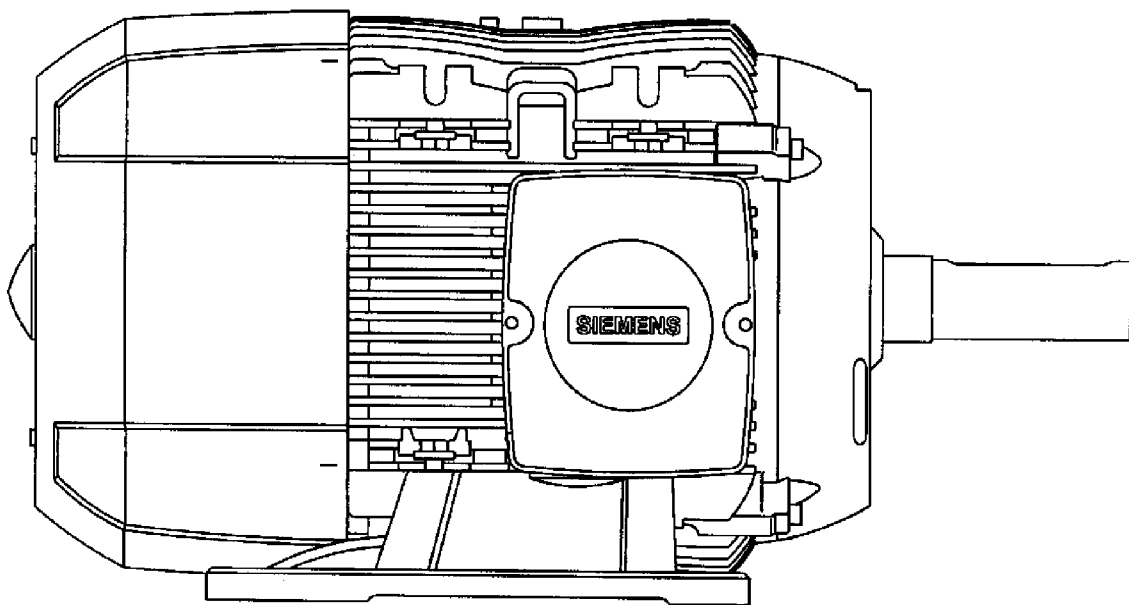


FIG 7

